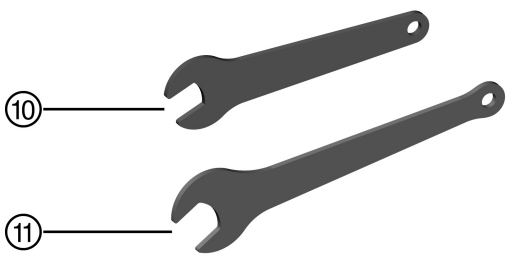
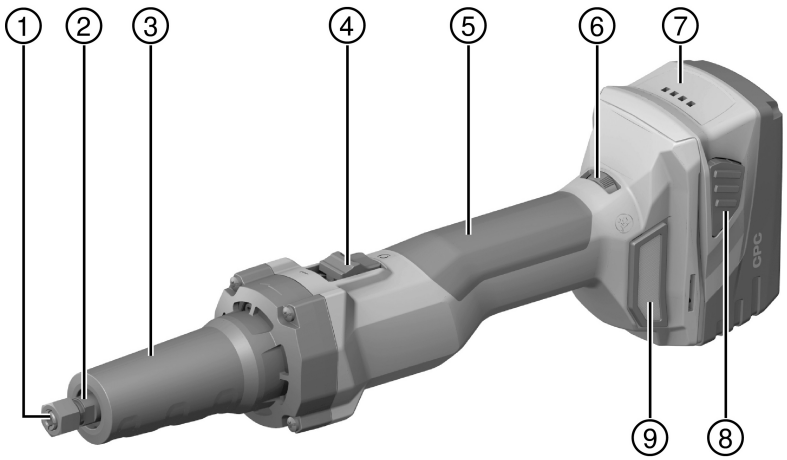


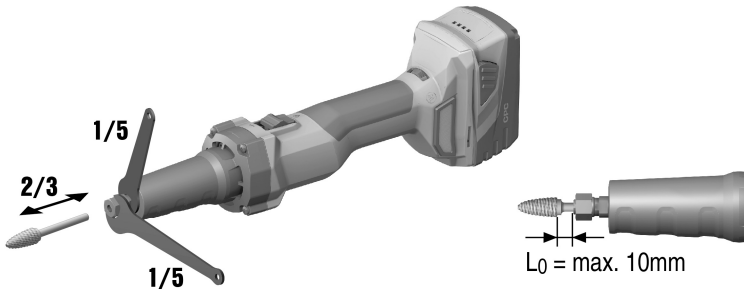


GDG 6-A22

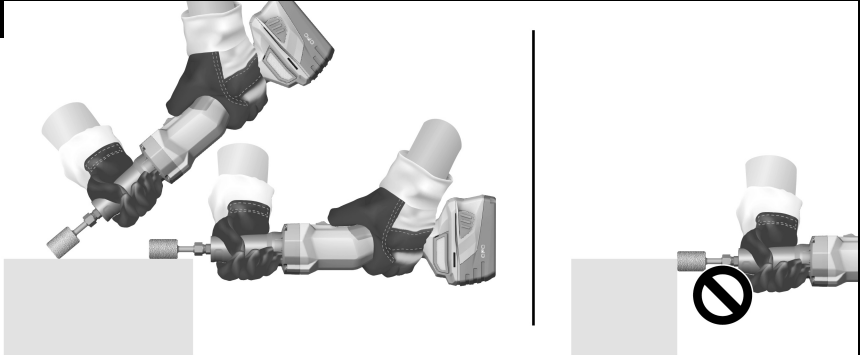
English	1
Eesti	12
Latviešu	23
Lietuvių	35
Čeština	47
Slovenčina	59
Magyar	71
Русский	83
Українська	97
Қазақ	111
Türkçe	124
عربي	136
日本語	149
한국어	160
繁體中文	171
中文	181



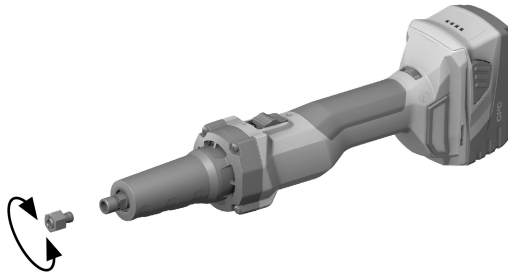
2



3



4



# GDG 6-A22

en	Original operating instructions	1
et	Originaalkasutusjuhend	12
lv	Orīginālā lietošanas instrukcija	23
lt	Originali naudojimo instrukcija	35
cs	Originální návod k obsluze	47
sk	Originálny návod na obsluhu	59
hu	Eredeti használati utasítás	71
ru	Перевод оригинального руководства по эксплуатации	83
uk	Оригінальна інструкція з експлуатації	97
kk	Түпнұсқа пайдалану бойынша нұсқаулық	111
tr	Orijinal kullanım kılavuzu	124
ar	دليل الاستعمال الأصلي	136
ja	オリジナル取扱説明書	149
ko	오리지널 사용 설명서	160
zh	原始操作說明	171
cn	原版操作说明	181

# Original operating instructions

## 1 Information about the documentation

### 1.1 About this documentation

- Read this documentation before initial operation or use. This is a prerequisite for safe, trouble-free handling and use of the product.
- Observe the safety instructions and warnings in this documentation and on the product.
- Always keep the operating instructions with the product and make sure that the operating instructions are with the product when it is given to other persons.

### 1.2 Explanation of symbols used

#### 1.2.1 Warnings

Warnings alert persons to hazards that occur when handling or using the product. The following signal words are used:

#### DANGER

##### DANGER !

- ▶ Draws attention to imminent danger that will lead to serious personal injury or fatality.

#### WARNING

##### WARNING !

- ▶ Draws attention to a potential threat of danger that can lead to serious injury or fatality.





#### CAUTION

##### CAUTION !

- ▶ Draws attention to a potentially dangerous situation that could lead to slight personal injury or damage to the equipment or other property.


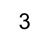


#### 1.2.2 Symbols in the documentation

The following symbols are used in this document:

	Read the operating instructions before use.
	Instructions for use and other useful information
	Dealing with recyclable materials
	Do not dispose of electric equipment and batteries as household waste

#### 1.2.3 Symbols in the illustrations

The following symbols are used in illustrations:

	These numbers refer to the corresponding illustrations found at the beginning of these operating instructions
	The numbering reflects the sequence of operations shown in the illustrations and may deviate from the steps described in the text
	Item reference numbers are used in the <b>overview illustrations</b> and refer to the numbers used in the <b>product overview section</b>
	This symbol is intended to draw special attention to certain points when handling the product.



### 1.3 Product-dependent symbols

#### 1.3.1 Symbols on the product

The following symbols can be used on the product:

	The power tool supports near-field communication (NFC) technology, which is compatible with iOS and Android platforms.
	<b>Hilti Li-ion battery type series used.</b> Observe the information given in the section headed <b>Intended use</b> .
Li-Ion	Li-ion battery
	Never use the battery as a striking tool.
	Do not drop the battery. Never use a battery that has suffered an impact or is damaged in any other way.
	Direct current (DC)
	Wear protective glasses!
n	Rated speed
/min	Revolutions per minute
RPM	Revolutions per minute
	Diameter

### 1.4 Product information

products are designed for professional users and only trained, authorized personnel are permitted to operate, service and maintain the products. This personnel must be specifically informed about the possible hazards. The product and its ancillary equipment can present hazards if used incorrectly by untrained personnel or if used not in accordance with the intended use.

The type designation and serial number are printed on the rating plate.

- ▶ Write down the serial number in the table below. You will be required to state the product details when contacting Hilti Service or your local Hilti organization to inquire about the product.

#### Product information

Cordless die grinder	GDG 6-A22
Generation	01
Serial no.	

### 1.5 Declaration of conformity

We declare, on our sole responsibility, that the product described here complies with the applicable directives and standards. A copy of the declaration of conformity can be found at the end of this documentation.

The technical documentation is filed here:

**Hilti** Entwicklungsgesellschaft mbH | Tool Certification | Hiltistrasse 6 | 86916 Kaufering, Germany

## 2 Safety

### 2.1 General power tool safety warnings

**⚠ WARNING Read all safety warnings, instructions, illustrations and specifications provided with this power tool.** Failure to follow all instructions listed below may result in electric shock, fire and/or serious injury. **Save all warnings and instructions for future reference.**

The term "power tool" in the warnings refers to your mains-operated (corded) power tool or battery-operated (cordless) power tool.



### Work area safety

- ▶ **Keep work area clean and well lit.** Cluttered or dark areas invite accidents.
- ▶ **Do not operate power tools in explosive atmospheres, such as in the presence of flammable liquids, gases or dust.** Power tools create sparks which may ignite the dust or fumes.
- ▶ **Keep children and bystanders away while operating a power tool.** Distractions can cause you to lose control.

### Electrical safety

- ▶ **Power tool plugs must match the outlet. Never modify the plug in any way. Do not use any adapter plugs with earthed (grounded) power tools.** Unmodified plugs and matching outlets will reduce risk of electric shock.
- ▶ **Avoid body contact with earthed or grounded surfaces, such as pipes, radiators, ranges and refrigerators.** There is an increased risk of electric shock if your body is earthed or grounded.
- ▶ **Do not expose power tools to rain or wet conditions.** Water entering a power tool will increase the risk of electric shock.
- ▶ **Do not abuse the cord. Never use the cord for carrying, pulling or unplugging the power tool. Keep cord away from heat, oil, sharp edges or moving parts.** Damaged or entangled cords increase the risk of electric shock.
- ▶ **When operating a power tool outdoors, use an extension cord suitable for outdoor use.** Use of a cord suitable for outdoor use reduces the risk of electric shock.
- ▶ **If operating a power tool in a damp location is unavoidable, use a residual current device (RCD) protected supply.** Use of an RCD reduces the risk of electric shock.

### Personal safety

- ▶ **Stay alert, watch what you are doing and use common sense when operating a power tool. Do not use a power tool while you are tired or under the influence of drugs, alcohol or medication.** A moment of inattention while operating power tools may result in serious personal injury.
- ▶ **Use personal protective equipment. Always wear eye protection.** Protective equipment such as a dust mask, non-skid safety shoes, hard hat or hearing protection used for appropriate conditions will reduce personal injuries.
- ▶ **Prevent unintentional starting. Ensure the switch is in the off-position before connecting to power source and/or battery pack, picking up or carrying the tool.** Carrying power tools with your finger on the switch or energising power tools that have the switch on invites accidents.
- ▶ **Remove any adjusting key or wrench before turning the power tool on.** A wrench or a key left attached to a rotating part of the power tool may result in personal injury.
- ▶ **Do not overreach. Keep proper footing and balance at all times.** This enables better control of the power tool in unexpected situations.
- ▶ **Dress properly. Do not wear loose clothing or jewellery. Keep your hair and clothing away from moving parts.** Loose clothes, jewellery or long hair can be caught in moving parts.
- ▶ **If devices are provided for the connection of dust extraction and collection facilities, ensure these are connected and properly used.** Use of dust collection can reduce dust-related hazards.
- ▶ **Do not let familiarity gained from frequent use of tools allow you to become complacent and ignore tool safety principles.** A careless action can cause severe injury within a fraction of a second.

### Power tool use and care

- ▶ **Do not force the power tool. Use the correct power tool for your application.** The correct power tool will do the job better and safer at the rate for which it was designed.
- ▶ **Do not use the power tool if the switch does not turn it on and off.** Any power tool that cannot be controlled with the switch is dangerous and must be repaired.
- ▶ **Disconnect the plug from the power source and/or remove the battery pack, if detachable, from the power tool before making any adjustments, changing accessories, or storing power tools.** Such preventive safety measures reduce the risk of starting the power tool accidentally.
- ▶ **Store idle power tools out of the reach of children and do not allow persons unfamiliar with the power tool or these instructions to operate the power tool.** Power tools are dangerous in the hands of untrained users.
- ▶ **Maintain power tools and accessories. Check for misalignment or binding of moving parts, breakage of parts and any other condition that may affect the power tool's operation. If damaged, have the power tool repaired before use.** Many accidents are caused by poorly maintained power tools.
- ▶ **Keep cutting tools sharp and clean.** Properly maintained cutting tools with sharp cutting edges are less likely to bind and are easier to control.



- ▶ **Use the power tool, accessories and tool bits etc. in accordance with these instructions, taking into account the working conditions and the work to be performed.** Use of the power tool for operations different from those intended could result in a hazardous situation.
- ▶ **Keep handles and grasping surfaces dry, clean and free from oil and grease.** Slippery handles and grasping surfaces do not allow for safe handling and control of the tool in unexpected situations.

#### **Battery tool use and care**

- ▶ **Recharge only with the charger specified by the manufacturer.** A charger that is suitable for one type of battery pack may create a risk of fire when used with another battery pack.
- ▶ **Use power tools only with specifically designated battery packs.** Use of any other battery packs may create a risk of injury and fire.
- ▶ **When battery pack is not in use, keep it away from other metal objects, like paper clips, coins, keys, nails, screws or other small metal objects, that can make a connection from one terminal to another.** Shorting the battery terminals together may cause burns or a fire.
- ▶ **Under abusive conditions, liquid may be ejected from the battery; avoid contact. If contact accidentally occurs, flush with water. If liquid contacts eyes, additionally seek medical help.** Liquid ejected from the battery may cause irritation or burns.
- ▶ **Do not use a battery pack or tool that is damaged or modified.** Damaged or modified batteries may exhibit unpredictable behaviour resulting in fire, explosion or risk of injury.
- ▶ **Do not expose a battery pack or tool to fire or excessive temperature.** Exposure to fire or temperature above 130° C (265 °F) may cause explosion.
- ▶ **Follow all charging instructions and do not charge the battery pack or tool outside the temperature range specified in the instructions.** Charging improperly or at temperatures outside the specified range may damage the battery and increase the risk of fire.

#### **Service**

- ▶ **Have your power tool serviced by a qualified repair person using only identical replacement parts.** This will ensure that the safety of the power tool is maintained.
- ▶ **Never service damaged battery packs.** Service of battery packs should only be performed by the manufacturer or authorized service providers.

### **2.2 Safety warnings common for grinding, sanding, wire brushing, polishing, carving or abrasive cutting-off operations:**

- ▶ **This power tool is intended to function as a grinder, sander, wire brush, polisher, carving or cut-off tool. Read all safety warnings, instructions, illustrations and specifications provided with this power tool.** Failure to follow all instructions listed below may result in electric shock, fire and / or serious injury.
- ▶ **Do not use accessories which are not specifically designed and recommended by the tool manufacturer.** Just because the accessory can be attached to your power tool, it does not assure safe operation.
- ▶ **The rated speed of the grinding accessories must be at least equal to the maximum speed marked on the power tool.** Grinding accessories running faster than their rated speed can break and fly apart.
- ▶ **The outside diameter and the thickness of your accessory must be within the capacity rating of your power tool.** Incorrectly sized accessories cannot be adequately controlled.
- ▶ **The arbour size of wheels, sanding drums or any other accessory must properly fit the spindle or collet of the power tool.** Accessories that do not match the mounting hardware of the power tool will run out of balance, vibrate excessively and may cause loss of control.
- ▶ **Mandrel mounted wheels, sanding drums, cutters or other accessories must be fully inserted into the collet or chuck.** If the mandrel is insufficiently held and/or the overhang of the wheel is too long, the mounted wheel may become loose and be ejected at high velocity.
- ▶ **Do not use a damaged accessory. Before each use inspect the accessory such as abrasive wheels for chips and cracks, sanding drum for cracks, tear or excess wear, wire brush for loose or cracked wires. If power tool or accessory is dropped, inspect for damage or install an undamaged accessory. After inspecting and installing an accessory, position yourself and bystanders away from the plane of the rotating accessory and run the power tool at maximum no-load speed for one minute.** Damaged accessories will normally break apart during this test time.
- ▶ **Wear personal protective equipment. Depending on application, use face shield, safety goggles or safety glasses. As appropriate, wear dust mask, hearing protectors, gloves and workshop apron capable of stopping small abrasive or workpiece fragments.** The eye protection must be capable of stopping flying debris generated by various operations. The dust mask or respirator must be capable of





filtrating particles generated by your operation. Prolonged exposure to high intensity noise may cause hearing loss.

- ▶ **Keep bystanders a safe distance away from work area. Anyone entering the work area must wear personal protective equipment.** Fragments of workpiece or of a broken accessory may fly away and cause injury beyond immediate area of operation.
- ▶ **Hold power tool by insulated gripping surfaces only, when performing an operation where the cutting accessory may contact hidden wiring.** Cutting accessory contacting a "live" wire may make exposed metal parts of the power tool "live" and could give the operator an electric shock.
- ▶ **Always hold the tool firmly in your hand(s) during the start-up.** The reaction torque of the motor, as it accelerates to full speed, can cause the tool to twist.
- ▶ **Use clamps to support workpiece whenever practical. Never hold a small workpiece in one hand and the tool in the other hand while in use.** Clamping a small workpiece allows you to use your hand(s) to control the tool. Round material such as dowel rods, pipes or tubing have a tendency to roll while being cut, and may cause the bit to bind or jump toward you.
- ▶ **Never lay the power tool down until the accessory has come to a complete stop.** The spinning accessory may grab the surface and pull the power tool out of your control.
- ▶ **After changing the bits or making any adjustments, make sure the collet nut, chuck or any other adjustment devices are securely tightened.** Loose adjustment devices can unexpectedly shift, causing loss of control, loose rotating components will be violently thrown.
- ▶ **Do not run the power tool while carrying it at your side.** Accidental contact with the spinning accessory could snag your clothing, pulling the accessory into your body.
- ▶ **Regularly clean the power tool's air vents.** The motor's fan will draw the dust inside the housing and excessive accumulation of powdered metal may cause electrical hazards.
- ▶ **Do not operate the power tool near flammable materials.** Sparks could ignite these materials.
- ▶ **Do not use accessories that require liquid coolants.** Using water or other liquid coolants may result in electrocution or shock.

#### Kickback and related warnings

Kickback is a sudden reaction to a pinched or snagged rotating wheel, sanding band, brush or any other accessory. Pinching or snagging causes rapid stalling of the rotating accessory which in turn causes the uncontrolled power tool to be forced in the direction opposite of the accessory's rotation.

For example, if an abrasive wheel is snagged or pinched by the workpiece, the edge of the wheel that is entering into the pinch point can dig into the surface of the material causing the wheel to climb out or kick out. The wheel may either jump toward or away from the operator, depending on direction of the wheel's movement at the point of pinching. Abrasive wheels may also break under these conditions.

Kickback is the result of power tool misuse and/or incorrect operating procedures or conditions and can be avoided by taking proper precautions as given below.

- ▶ **Maintain a firm grip on the power tool and position your body and arm to allow you to resist kickback forces.** The operator can control kickback forces, if proper precautions are taken.
- ▶ **Use special care when working corners, sharp edges etc. Avoid bouncing and snagging the accessory.** Corners, sharp edges or bouncing have a tendency to snag the rotating accessory and cause loss of control or kickback.
- ▶ **Do not attach a toothed saw blade.** Such blades create frequent kickback and loss of control.
- ▶ **Always feed the bit into the material in the same direction as the cutting edge is exiting from the material (which is the same direction as the chips are thrown).** Feeding the tool in the wrong direction causes the cutting edge of the bit to climb out of the work and pull the tool in the direction of this feed.
- ▶ **When using rotary files, cut-off wheels, high-speed cutters or tungsten carbide cutters, always have the work securely clamped.** These wheels will grab if they become slightly canted in the groove, and can kickback. When a cut-off wheel grabs, the wheel itself usually breaks. When a rotary file, high-speed cutter or tungsten carbide cutter grabs, it may jump from the groove and you could lose control of the tool.

#### Safety warnings specific for grinding and abrasive cutting-off operations:

- ▶ **Use only wheel types that are recommended for your power tool and only for recommended applications. For example: do not grind with the side of a cut-off wheel.** Abrasive cut-off wheels are intended for peripheral grinding, side forces applied to these wheels may cause them to shatter.
- ▶ **For threaded abrasive cones and plugs use only undamaged wheel mandrels with an unrelieved shoulder flange that are of correct size and length.** Proper mandrels will reduce the possibility of breakage.



- ▶ **Do not “jam” a cut-off wheel or apply excessive pressure. Do not attempt to make an excessive depth of cut.** Overstressing the wheel increases the loading and susceptibility to twisting or snagging of the wheel in the cut and the possibility of kickback or wheel breakage.
- ▶ **Do not position your hand in line with and behind the rotating wheel.** When the wheel, at the point of operation, is moving away from your hand, the possible kickback may propel the spinning wheel and the power tool directly at you.
- ▶ **When wheel is pinched, snagged or when interrupting a cut for any reason, switch off the power tool and hold the power tool motionless until the wheel comes to a complete stop. Never attempt to remove the cut-off wheel from the cut while the wheel is in motion otherwise kickback may occur.** Investigate and take corrective action to eliminate the cause of wheel pinching or snagging.
- ▶ **Do not restart the cutting operation in the workpiece. Let the wheel reach full speed and carefully re-enter the cut.** The wheel may bind, walk up or kickback if the power tool is restarted in the workpiece.
- ▶ **Support panels or any oversized workpiece to minimize the risk of wheel pinching and kickback.** Large workpieces tend to sag under their own weight. Supports must be placed under the workpiece near the line of cut and near the edge of the workpiece on both sides of the wheel.
- ▶ **Use extra caution when making a “pocket cut” into existing walls or other blind areas.** The protruding wheel may cut gas or water pipes, electrical wiring or objects that can cause kickback.

#### **Safety warnings specific for wire brushing operations:**

- ▶ **Be aware that wire bristles are thrown by the brush even during ordinary operation. Do not overstress the wires by applying excessive load to the brush.** The wire bristles can easily penetrate light clothing and/or skin.
- ▶ **Allow brushes to run at operating speed for at least one minute before using them. During this time no one is to stand in front or in line with the brush.** Loose bristles or wires will be discharged during the run-in time.
- ▶ **Direct the discharge of the spinning wire brush away from you.** Small particles and tiny wire fragments may be discharged at high velocity during the use of these brushes and may become imbedded in your skin.

### **2.3 Battery use and care**

- ▶ Observe the special regulations and instructions applicable to the transport, storage and use of Li-ion batteries.
- ▶ Do not expose batteries to high temperatures, direct sunlight or fire.
- ▶ Do not disassemble, crush or incinerate batteries and do not subject them to temperatures over 80 °C.
- ▶ Do not use or charge batteries that have suffered mechanical impact, have been dropped from a height or show signs of damage. In this case, always contact your **Hilti Service**.
- ▶ If the battery is too hot to touch it may be defective. In this case, place the product in a non-flammable location, well away from flammable materials, where it can be kept under observation and allowed to cool down. In this case, always contact your **Hilti Service**.

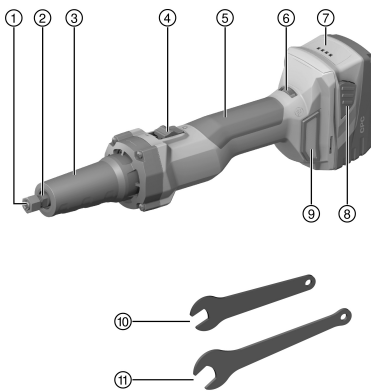
### **2.4 Additional safety instructions**

- ▶ When using the product, hold it in such a way that grinding dust, flying sparks and possible flying fragments of the accessory tool or workpiece cannot hit you.
- ▶ When changing the accessory tool, use only neatly fitting and undamaged wrenches.
- ▶ Accessory tools must run perfectly round. Do not use accessory tools that are out of round.
- ▶ Do not attempt to remove chips or splinters of material while the product is still running. Switch the product off.
- ▶ Switch the power tool on only after it is in position at the workpiece.
- ▶ Wear protective gloves when changing accessory tools, because the accessory tool and the chuck get hot during use.
- ▶ Take breaks between working and do relaxation and finger exercises to improve the blood circulation in your fingers. Exposure to vibration during long periods of work can lead to disorders of the blood vessels and nervous system in the fingers, hands and wrists.
- ▶ Make sure that the workplace is well ventilated and, where necessary, wear a respirator appropriate for the type of dust generated.
- ▶ Clean the shank of the accessory tool before inserting it. Make sure that the shank of the accessory tool is always inserted at least 20 mm into the collet. After inserting the accessory tool, always securely tighten the clamping nut. An inadequately secured accessory tool could work loose during operation and fly away from the product.
- ▶ Use only accessory tools that comply with the specifications in the technical data.



### 3 Description

#### 3.1 Overview of the product 1



- ① Clamping nut with collet
- ② Spindle
- ③ Neck / front grip
- ④ Lockable on/off switch
- ⑤ Grip
- ⑥ Adjusting knob for speed
- ⑦ Battery
- ⑧ Battery release button
- ⑨ Dust filter
- ⑩ Small wrench, 12 mm
- ⑪ Large wrench, 17 mm

#### 3.2 Intended use

The product described is a die grinder. It is designed for working on metal. It is designed for grinding and abrasive cutting, for wire brushing, for polishing and for routing.

Use only accessory tools with a shank diameter appropriate for the collet mounted on the product. Comply with the information in the technical data.

The product is suitable for dry use only, without water for cooling.

- Use only **Hilti** lithium-ion batteries of the B 22 series with this product.
- Use only **Hilti**-approved battery chargers to charge these batteries. More information is available from your **Hilti Store** or from [www.hilti.group](http://www.hilti.group)

#### 3.3 Items supplied

Die grinder, 2 wrenches, operating instructions

Other system products approved for use with this product can be found at your local **Hilti Store** or at: [www.hilti.group](http://www.hilti.group)

#### 3.4 Li-ion battery charge status display

The charge status of the Li-ion battery is displayed after one of the two battery release buttons is pressed.

Status	Meaning
4 LEDs light.	Charge status: 75 % to 100 %
3 LEDs light.	Charge status: 50 % to 75 %
2 LEDs light.	Charge status: 25 % to 50 %
1 LED lights up.	Charge status: 10 % to 25 %
1 LED flashes.	Charge status: < 10 %

**i** Indication of the charge status is not possible while the power tool is in operation or immediately after operation. If the battery charge status LEDs flash, please refer to the information given in the Troubleshooting section.

### 4 Technical data

Weight in accordance with EPTA Procedure 01 including B228.0 battery	2.6 kg
Rated speed	10,000 /min ... 25,000 /min



2277410

<b>Required minimum speed, accessory tool</b>		≥ 25,000 /min
<b>Working diameter, accessory tool</b>		≤ 55 mm
<b>Shank diameter, accessory tool</b>	<b>Collet, 6 mm</b>	6 mm
	<b>Collet, 1/4 inch</b>	1/4 in
<b>Width across flats, spindle</b>		12 mm
<b>Width across flats, clamping nut</b>		17 mm
<b>Storage temperature</b>		-20 °C ... 70 °C
<b>Ambient temperature for operation</b>		-17 °C ... 60 °C

#### 4.1 Noise information and vibration values in accordance with EN 62841

The sound pressure and vibration values given in these instructions were measured in accordance with a standardized test and can be used to compare one power tool with another. They can also be used for a preliminary assessment of exposure.

The data given represent the main applications of the power tool. However, if the power tool is used for different applications, with different accessory tools, or is poorly maintained, the data can vary. This can significantly increase exposure over the total working period.

An accurate estimation of exposure should also take into account the times when the tool is switched off, or when it is running but not actually being used for a job. This can significantly reduce exposure over the total working period.

Identify additional safety measures to protect the operator from the effects of noise and/or vibration, for example: maintaining the power tool and accessory tools, keeping the hands warm, organization of work patterns.

##### Noise information

<b>Emission sound pressure level (<math>L_{pA}</math>)</b>	76 dB(A)
<b>Uncertainty for the sound pressure level (<math>K_{pA}</math>)</b>	3 dB(A)
<b>Sound power level (<math>L_{WA}</math>)</b>	87 dB(A)
<b>Uncertainty for the sound power level (<math>K_{WA}</math>)</b>	3 dB(A)

##### Vibration information

<b>Vibration emission value (<math>a_h</math>), depending on the diameter of the accessory tool</b>	<b>&lt; 25 mm</b>	0.7 m/s <sup>2</sup>
	<b>25 ... &lt; 50 mm</b>	15.9 m/s <sup>2</sup>
	<b>50 ... 55 mm</b>	22.2 m/s <sup>2</sup>
<b>Uncertainty (K)</b>		1.5 m/s <sup>2</sup>

#### 4.2 Battery

<b>Battery operating voltage</b>	21.6 V
<b>Ambient temperature for operation</b>	-17 °C ... 60 °C
<b>Storage temperature</b>	-20 °C ... 40 °C
<b>Battery charging starting temperature</b>	-10 °C ... 45 °C

## 5 Preparations at the workplace

### CAUTION

#### Risk of injury by inadvertent starting!

- ▶ Before inserting the battery, make sure that the product is switched off.
- ▶ Remove the battery before making any adjustments to the power tool or before changing accessories.

Observe the safety instructions and warnings in this documentation and on the product.

#### 5.1 Charging the battery

1. Before charging the battery, read the operating instructions for the charger.
2. Make sure that the contacts on the battery and the contacts on the charger are clean and dry.



- Use an approved charger to charge the battery.

## 5.2 Inserting the battery

### CAUTION

#### **Risk of injury by short circuit or falling battery!**

- ▶ Before inserting the battery, make sure that the contacts on the battery and the contacts on the product are free of foreign matter.
- ▶ Make sure that the battery always engages correctly.

- Charge the battery fully before using it for the first time.
- Push the battery into the battery holder until it engages with an audible click.
- Check that the battery is seated securely.

## 5.3 Removing the battery

- Press the battery release buttons.
- Remove the battery from the tool.

## 5.4 Changing the accessory tool

### ATTENTION

#### **Risk of damage** to the collet if the clamping nut is tightened on an empty collet.

- ▶ Never tighten the clamping nut without an accessory tool inserted in the collet.

### CAUTION

#### **Risk of injury and damage** if the accessory tool runs out of true or is damaged.

- ▶ Do not use damaged accessory tools. Before starting work, check that the die grinder runs smoothly, with little vibration.

- Hold the collet with the small wrench and use the large wrench to loosen the clamping nut.
- Pull the accessory tool out of the collet.
- Insert the shank of the accessory tool as far as it will go into the collet.
- Exposed shaft length  $L_0$  cannot be more than 10 mm. The shank of the accessory tool must be inserted at least 20 mm into the collet.
- Hold the collet with the small wrench and use the large wrench to tighten the clamping nut.
- Check that the accessory tool is held securely.

## 6 Operation

Observe the safety instructions and warnings in this documentation and on the product.

### 6.1 Switching on

- Press the rear section of the on/off switch.
- Slide the on/off switch forward.
  - ▶ The motor runs.
- Lock the on/off switch.

### 6.2 Types of work

- Switch the tool on. → page 9
- By turning the adjusting knob for speed, set a speed that is suitable for the accessory tool and the planned use.
- Use only the intended working face of the accessory tool. Example: Never try to use the flat side of an abrasive cut-off disc for grinding. Abrasive cut-off discs are intended for cutting at their peripheral edge.
- Secure the workpiece. Never try work with a small workpiece held in one hand and the die grinder held in the other. Always hold the die grinder with both hands on the grips provided.
- Guide the die grinder to the workpiece. Apply moderate pressure and do not press the accessory tool into the material.



### 6.3 Switching off

- ▶ Press the rear section of the on/off switch.
  - ▶ The on/off switch jumps into the off position and the motor stops.

## 7 Care and maintenance



### WARNING

#### Risk of injury with battery inserted !

- ▶ Always remove the battery before carrying out care and maintenance tasks!

#### Care and maintenance of the tool

- Carefully remove stubborn dirt.
- Clean the air vents carefully with a dry brush.
- Use only a slightly damp cloth to clean the casing. Do not use cleaning agents containing silicone as these can attack the plastic parts.

#### Care of the Li-ion batteries

- Keep the battery free from oil and grease.
- Use only a slightly damp cloth to clean the casing. Do not use cleaning agents containing silicone as these may attack the plastic parts.
- Avoid ingress of moisture.

#### Maintenance

- Check all visible parts and controls for signs of damage at regular intervals and make sure that they all function correctly.
- Do not operate the product if signs of damage are found or if parts malfunction. Have it repaired immediately by **Hilti Service**.
- After cleaning and maintenance, fit all guards or protective devices and check that they function correctly.



To help ensure safe and reliable operation, use only genuine Hilti spare parts and consumables. Spare parts, consumables and accessories approved by Hilti for use with the product can be found at your local **Hilti Store** or online at: [www.hilti.group](http://www.hilti.group).

### 7.1 Changing clamping nut



### ATTENTION

**Risk of damage** to the collet if the clamping nut is tightened on an empty collet.

- ▶ Never tighten the clamping nut without an accessory tool inserted in the collet.

1. Hold the spindle with the small wrench and use the large wrench to loosen the clamping nut.
2. If applicable, pull the accessory tool out of the collet.
3. Unscrew the clamping nut with collet from the die grinder.
4. Position the new clamping nut with collet on the spindle, engage the threads and loosely screw the clamping nut on to the spindle. Do not tighten the clamping nut.

## 8 Transport and storage of cordless tools

### Transport



### CAUTION

#### Accidental starting during transport !

- ▶ Always transport your products with the batteries removed!
- ▶ Remove the battery.
- ▶ Never transport batteries in bulk form (loose, unprotected).
- ▶ Check accessory tools and batteries for damage before use after long periods of transport.



## Storage

### CAUTION

#### Accidental damage caused by defective or leaking batteries !

- ▶ Always store your products with the batteries removed!
- 
- ▶ Store the tool, accessory tools and batteries in a place that is as cool and dry as possible.
  - ▶ Never store batteries in direct sunlight, on heating units or behind a window pane.
  - ▶ Store the tool, accessory tools and batteries in a place where they cannot be accessed by children or unauthorized persons.
  - ▶ Check the tool, accessory tools and batteries for damage before use after long periods of storage.

## 9 Troubleshooting

If the trouble you are experiencing is not listed in this table or you are unable to remedy the problem by yourself, contact **Hilti Service**.

Trouble or fault	Possible cause	Action to be taken
The battery runs down more quickly than usual.	Very low ambient temperature.	▶ Allow the battery to warm up slowly to room temperature.
The battery doesn't engage with an audible click.	The retaining lugs on the battery are dirty.	▶ Clean the retaining lugs and refit the battery.
1 LED flashes. The device does not work.	Low battery.	▶ Change the battery and charge the empty battery.
	The battery is too hot or too cold.	▶ Allow the battery to cool down or warm up slowly to room temperature.
All 4 LEDs flash. The device does not work.	The tool has been overloaded.	▶ Switch the power tool off and then on again. Then allow the power tool to run under no load for approx. 30 seconds.
The power tool or battery gets very hot.	Electrical fault	▶ Switch the power tool off immediately, remove the battery, keep it under observation, allow it to cool down and contact <b>Hilti Service</b> .
The power tool does not develop full power.	A battery with inadequate capacity was used.	▶ Use a battery with adequate capacity.
The motor has no braking effect.	Low battery.	▶ Change the battery and charge the empty battery.
	The power tool was overloaded briefly.	▶ Switch the power tool off and then on again.
The power tool vibrates strongly.	Accessory tool is not compatible with the power tool.	▶ Use only accessory tools that comply with the specifications in the technical data.
	Accessory tool is damaged, out of true or imbalanced.	▶ Use only accessory tools that are in faultless condition.
	Appliance defective	▶ If the accessory tool can be ruled out as the cause, consult <b>Hilti Service</b> .

## 10 Disposal

Most of the materials from which **Hilti** tools and appliances are manufactured can be recycled. The materials must be correctly separated before they can be recycled. In many countries, your old tools, machines or appliances can be returned to **Hilti** for recycling. Ask **Hilti Service** or your Hilti representative for further information.

### Battery disposal

Improper disposal of batteries can result in health hazards from leaking gases or fluids.



- ▶ DO NOT send batteries through the mail!
- ▶ Cover the terminals with a non-conductive material (such as electrical tape) to prevent short circuiting.
- ▶ Dispose of your battery out of the reach of children.
- ▶ Dispose of the battery at your **Hilti Store**, or consult your local governmental garbage disposal or public health and safety resources for disposal instructions.



- ▶ Do not dispose of power tools, electronic equipment or batteries as household waste!

## 11 RoHS (Restriction of Hazardous Substances)

Click on the link to go to the table of hazardous substances: [qr.hilti.com/r11229136](http://qr.hilti.com/r11229136).  
There is a link to the RoHS table, in the form of a QR code, at the end of this document.

## 12 Manufacturer's warranty

- ▶ Please contact your local **Hilti** representative if you have questions about the warranty conditions.

# Originaalkasutusjuhend

## 1 Andmed dokumentatsiooni kohta

### 1.1 Kasutusjuhend

- Enne seadme kasutuselevõttu lugege see kasutusjuhend läbi. See on ohutu kasutamise ja tõrgeteta töö eeldus.
- Järgige kasutusjuhendis esitatud ja tootele märgitud ohutusnõudeid ja hoiatusi.
- Hoidke kasutusjuhend alati seadme juures ja toote edasiandmisel teistele isikutele andke üle ka kasutusjuhend.

### 1.2 Märkide selgitus

#### 1.2.1 Hoiatused

Hoiatused annavad märku toote kasutamisel tekkivatest ohtudest. Kasutatakse alljärgnevaid märksõnu:



**OHT**

**OHT !**

- ▶ Võimalikud ohtlikud olukorrad, mis võivad põhjustada kasutaja raskeid kehavigastusi või hukkumist.



**HOIATUS**

**HOIATUS !**

- ▶ Võimalik ohtlik olukord, mis võib põhjustada kasutaja raskeid kehavigastusi või hukkumist.



**ETTEVAATUST**

**ETTEVAATUST !**

- ▶ Võimalikud ohtlikud olukorrad, millega võivad kaasneda kergemad kehavigastused või varaline kahju.

#### 1.2.2 Kasutusjuhendis kasutatud sümbolid

Selles dokumendis kasutatakse järgmisi sümboleid.



Lugege enne kasutamist läbi kasutusjuhend!



Soovitused seadme kasutamiseks ja muu kasulik teave



Taaskasutatavate materjalide käsitsemine







Elektriseadmeid ja akusid ei tohi visata olmejäätmete hulka.

### 1.2.3 Joonistel kasutatud sümbolid

Joonistel kasutatakse järgmisi sümboleid.

	Numbrid viitavad vastavatele joonistele kasutusjuhendi alguses
3	Numeratsioon kajastab töötappide järjekorda pildi kujul ja võib tekstis kirjeldatud töötappidest erineda
	Positsiooninumbreid <b>kasutatakse ülevaatejoonisel</b> ja need viitavad selgituste numbritele <b>toote ülevaates</b>
	See märk näitab, et toote käsitlemisel tuleb olla eriti tähelepanelik.

### 1.3 Tootepõhised sümbolid

#### 1.3.1 Sümbolid tootel

Tootel võib kasutada järgmisi sümboleid:

	Seade toetab NFC-tehnoloogiat, mis on ühildatav iOS- ja Android-platvormidega.
	Kasutatud <b>HilTi</b> Li-ioonaku seeria. Pidage kinni peatükis <b>Sihipärane kasutamine</b> toodud juhistest.
Li-ion	Liitumioonaku
	Ärge kasutage akut kunagi lõögiriistana.
	Ärge laske akul kunagi maha kukkuda. Ärge kasutage akut, mis on saanud löögi või on muul moel kahjustatud.
	Alalisvool
	Kanda kaitseprille!
n	Nimipöörete arv
/min	Pööret minutis
RPM	Pööret minutis
	Läbimõõt

### 1.4 Tooteinfo

tooted on ette nähtud professionaalsele kasutajale ja neid tohivad käsitseda, hooldada ja korras hoida ainult volitatud ja asjaomase väljaõppega isikud. Nimetatud personal peab olema teadlik kõikidest kaasnevatest ohtudest. Seade ja sellega ühendatavad abivahendid võivad osutada ohtlikuks, kui neid ei kasutata nõuetekohaselt või kui nendega töötab vastava väljaõppeta isik.

Tüübitähis ja seerianumber on tüübisildil.

- Kandke seerianumber järgmise tabelisse. Andmeid toote kohta vajate meie esindusele või hooldekeskusele päringute esitamisel.

#### Tooteinfo

Akutoitega otslihvmasin	GDG 6-A22
Põlvkond	01
Seerianumber	



## 1.5 Vastavusdeklaratsioon

Kinnitame ainuvastutajana, et käesolevas kasutusjuhendis kirjeldatud seade vastab kehtivate direktiivide ja standardite nõuetele: Vastavusdeklaratsiooni ärakirja leiате käesoleva kasutusjuhendi lõpust.

Tehnilised dokumendid on saadaval:

Hilti Entwicklungsgesellschaft mbH | Zulassung Geräte | Hiltistraße 6 | 86916 Kaufering, DE

## 2 Ohutus

### 2.1 Üldised ohutusnõuded elektriliste tööriistade kasutamisel

**⚠ HOIATUS! Lugege kõiki selle elektrilise tööriista juurde kuuluvaid ohutusjuhiseid, nõuandeid, jooniseid ja tehnilisi andmeid!** Järgmiste juhiste eiramise tagajärg võib olla elektrilöökk, tulekahju ja/või rasked vigastused.

**Hoidke kõik ohutusnõuded ja juhised edaspidiseks kasutamiseks alles.**

Ohutusjuhistes kasutatud mõiste "elektriline tööriist" käib võrgutoitega (toitejuhtmega) elektriliste tööriistade või akutoitega (toitejuhtmeta) elektriliste tööriistade kohta.

#### Ohutus töökohal

- ▶ **Hoidke oma töökoht puhas ja valgustage seda korralikult.** Korrastamata ja valgustamata töökoht võib põhjustada õnnetusi.
- ▶ **Ärge kasutage elektrilist tööriista plahvatusohtlikus keskkonnas, kus leidub tuleohtlikke vedelikke, gaase või tolmu.** Elektrilistest tööriistadest lööb sademeid, mis võivad tolmu või auru süüdata.
- ▶ **Hoidke lapsed ja kõik teised töökohest eemal, kui kasutate elektrilist tööriista!** Kui teie tähelepanu juhitakse kõrvale, võib seade teie kontrolli alt väljuda.

#### Elektriohutus

- ▶ **Elektrilise tööriista pistik peab sobima pistikupessa. Pistiku juures ei tohi teha mingeid muudatusi. Kaitsemaandusega seadmete puhul ei tohi kasutada adapterpistikuid.** Muutmata pistikud ja sobivad pistikupesad vähendavad elektrilöögiohtu.
- ▶ **Vältige keha kontakti maandatud pindadega (nt toru, radiaator, pliit, külmik).** Kui teie keha on maandatud, on elektrilöögi oht suurem.
- ▶ **Kaitske elektrilist tööriista vihma ja niiskuse eest.** Kui elektrilise tööriista sisse on satub vett, suurendab see elektrilöögiohtu.
- ▶ **Ärge kasutage ühenduskaablit elektrilise tööriista kandmiseks, riputamiseks ega pistiku stepslist väljatõmbamiseks!** Hoidke ühenduskaablit eemal kuumusest, õlidest, teravatest servadest ja liikuvatest osadest. Kahjustatud või keerdu ühenduskaablid suurendavad elektrilöögiohtu.
- ▶ **Kui töötate elektrilise tööriistaga vabas õhus, kasutage ainult selliseid pikendusjuhtmeid, mida tohib kasutada ka välitingimustes.** Välitingimustes sobiva pikendusjuhtme kasutamine vähendab elektrilöögiohtu.
- ▶ **Kui seadmega töötamine niiskes keskkonnas on vältimatu, kasutage rikkevoolu kaitseülilitit.** Rikkevoolu kaitseülilitit kasutamine vähendab elektrilöögiohtu.

#### Inimeste ohutus

- ▶ **Olge tähelepanelik, jälgige, mida teete, ja toimige elektrilise tööriistaga töötades kaalutletult. Ärge töötag elektrilise tööriistaga, kui olete väsinud või alkoholi, narkootikumide või ravimite mõju all!** Hetkeline tähelepanematus elektrilise tööriista kasutamisel võib põhjustada raskeid kehavigastusi ja varalist kahju.
- ▶ **Kandke isiklikke kaitsevahendeid ja alati kaitseprille.** Isiklike kaitsevahendite, nt tolmu maski, libisemiskindlate turvajalatsite, kaitsekiivri või kuulmiskaitsevahendite kandmine (sõltuvalt elektrilise tööriista tüübist ja kasutusala) vähendab vigastusohtu.
- ▶ **Vältige elektrilise tööriista soovimatut käivitamist! Enne elektrilise tööriista ühendamist vooluvõrku ja/või elektrilise tööriista aku paigaldamist, tööriista ülestõstmist ja kandmist veenduge, et elektriline tööriist on välja lülitatud!** Kui hoiate elektrilise tööriista kandmisel sõrme lülilil või ühendate vooluvõrku sisselülitatud tööriista, võib juhtuda õnnetus.
- ▶ **Enne elektrilise tööriista sisselülitamist eemaldage selle küljest seade- ja mutrivõtmed.** Elektrilise tööriista pöörleva osa küljes olev seade- või mutrivõti võib põhjustada vigastusi.
- ▶ **Vältige ebatavalist tööasendit! Võtke stabiilne tööasend ja säilitage alati tasakaal.** Nii saate elektrilist tööriista ootamatutes olukordades paremini kontrollida.
- ▶ **Kandke sobivat rõivastust. Ärge kandke laiu riideid ega ehteid! Hoidke juuksed, rõivad ja kindad seadme liikuvatest osadest eemal.** Lotendavad riided, ehted ja pikad juuksed võivad sattuda seadme liikuvate osade vahele.



- ▶ Kui elektrilise tööriista külge on võimalik paigaldada tolmuemaldus- ja kogumisseadiseid, veenduge, et need on tööriistaga ühendatud ja et neid kasutatakse nõuetekohaselt. Tolmuemaldusseadise kasutamine võib vähendada tolmust tingitud ohte.
- ▶ Ärge laske tekkida petlikul turvatundel ega eirake elektrilise tööriista ohutusreegleid isegi siis, kui olete pärast paljukordset kasutamist elektrilise tööriistaga harjunud. Tähelepanematu käsitsemine võib sekundi mürdosa jooksul kaasa tuua raskeid vigastusi.

#### Elektrilise tööriista kasutamine ja käsitsemine

- ▶ **Ärge kookmake seadet üle!** Kasutage konkreetseks tööks sobivat elektrilist tööriista. See töötab ettenähtud jõudluspiirides tõhusamalt ja ohutumalt.
- ▶ **Ärge kasutage elektrilist tööriista, mille lüliti on rikkis!** Elektriline tööriist, mida ei saa enam lülitist korralikult sisse ja välja lülitada, on ohtlik ning tuleb viia parandusse.
- ▶ **Tõmmake enne seadme mis tahes seadetõid, tarvikute vahetamist ja seadme hoiuolepanekut pistik pistikupesast välja ja/või eemaldage äravõetav aku.** See ettevaatusabinõu hoiab ära seadme soovimatu käivitumise.
- ▶ **Kasutusvälisel ajal hoidke elektrilist tööriista lastele kättesaamatus kohas. Ärge laske seadet kasutada isikutel, kes seadme tööpõhimõtet ei tunne või ei ole lugenud käesolevaid kasutusjuhendeid.** Asjatundmatute isikute käes on elektrilised tööriistad ohtlikud.
- ▶ **Hooldage elektrilisi tööriistu ja tarvikuid korralikult. Kontrollige, kas liikuvad osad töötavad veatult ega kiilu kiini. Veenduge, et seadme osad ei ole murdunud või kahjustatud määral, mis mõjutab seadme töökindlust. Laske kahjustatud osad enne seadme kasutamist parandada.** Ebapiisavalt hooldatud elektrilised tööriistad põhjustavad õnnetusi.
- ▶ **Hoidke lõiketarvikud teravad ja puhtad.** Hästi hooldatud, teravate lõikeservadega lõiketarvikud kiiluvad harvemini kinni ja neid on lihtsam juhtida.
- ▶ **Kasutage elektrilist tööriista, tarvikuid ja lisatarvikuid vastavalt nende juhiste. Arvestage seejuures töötingimuste ja tehtava töö iseloomuga.** Elektrilise tööriista kasutamine otstarbel, millele see ei ole ette nähtud, võib põhjustada ohtlikke olukordi.
- ▶ **Käepidemed ja haardepinnad peavad olema kuivad, puhtad ning vabad õlist ja rasvast.** Libedad käepidemed ja haardepinnad ei võimalda elektrilist tööriista ootamatutes olukordades kindlalt käsitseda ega kontrollida.

#### Akuga tööriista kasutamine ja käsitsemine

- ▶ **Laadige akusid ainult tootja soovitatud laadimiseseadmega.** Kui teatud tüüpi aku laadimiseks ettenähtud laadimiseseadet kasutatakse teist tüüpi akude laadimiseks, tekib tulekahjuoht.
- ▶ **Kasutage elektrilistes tööriistades ainult ettenähtud akusid.** Teist tüüpi akude kasutamine võib põhjustada vigastus- ja põlenguohtu.
- ▶ **Hoidke akud kasutusvälisel ajal eemal kirjaklambritest, müntidest, võtmetest, naeltest, kruvidest ja teistest väikestest metallsetest, mis võivad aku kontaktid omavahel ühendada.** Aku kontaktide vahel tekkiv lühis võib põhjustada põletuse või tulekahju.
- ▶ **Väärkasutuse korral võib akuvedelik akust välja voolata. Vältige sellega kokkupuudet. Juhusliku kokkupuute korral loputage kahjustatud kohta veega. Kui vedelik satub silma, otsige ka arstiabi.** Väljavoolav akuvedelik võib põhjustada nahaärritust või põletust.
- ▶ **Ärge kasutage kahjustatud ega modifitseeritud akut!** Kahjustatud või modifitseeritud akud võivad käituda ettenägematult ja põhjustada tulekahju, plahvatuse või vigastusohtu.
- ▶ **Ärge laske akul kokku puutuda tule ega liiga kõrge temperatuuriga!** Tuli või temperatuur üle 130 °C (265 °F) võivad tekitada plahvatuse.
- ▶ **Järgige kõiki laadimisjuhiseid ja ärge kunagi laadige akut ega akutööriista väljaspool kasutusjuhendis näidatud temperatuurivahemikku.** Väär laadimine või laadimine väljaspool lubatud temperatuurivahemikku võib kahjustada akut ja suurendada tuleohtu.

#### Hooldus

- ▶ **Laske elektrilist tööriista parandada ainult kvalifitseeritud spetsialistidel, kes kasutavad originaalvaruosi.** Nii on tagatud elektrilise tööriista ohutu töö.
- ▶ **Ärge hooldage kahjustatud akut!** Akut võib hooldada ainult tootja või volitatud klienditeenindus.

### 2.2 Ühised ohutusnõuded lihvimisel, liivapaberiga lihvimisel, traatharjadega töötlemisel, poleerimisel, freesimisel ja lõikamisel:

- ▶ Elektriline tööriist on ette nähtud kasutamiseks lihvmasinana, liivapaberiga lihvijana, traatharjana, poleerijana, freesimiseks ja ketaslõikurina. Järgige kõiki seadmega kaasasolevaid ohutusnõudeid, juhiseid, kirjeldusi ja andmeid. Järgnevate juhiste eiramise tagajärjeks võib olla elektrilöökoht, tulekahju ja/või rasked vigastused.



- ▶ **Ärge kasutage lisatarvikuid, mida tootja ei ole spetsiaalselt selle seadme jaoks ette näinud ega soovitanud.** Asjaolu, et lisatarvikut saab seadme külge kinnitada, ei taga veel ohutut tööd.
- ▶ **Tarviku lubatud pöörete arv peab olema vähemalt sama suur nagu seadmel toodud maksimaalne pöörlemiskiirus.** Lubatust kiiremini pöörlev tarvik võib puruneda ja selle tükid võivad lalali paiskuda.
- ▶ **Tarviku välisläbimõõt ja paksus peavad olema vastavuses seadme mõõtmetega.** Valede mõõtmetega tarvikuid ei kata kettakaitse piisaval määral ning need võivad väljuda Teie kontrolli alt.
- ▶ **Lihvkettad, lihvrullid ja muud tarvikud peavad elektrilise tööriista spindliga või kinnitustsangiga täpselt sobima.** Tarvikud, mis ei tööriista kinnitusavasse täpselt ei sobi, pöörlevad ebaühtlaselt, vibreerivad tugevalt ja võivad põhjustada kontrolli kaotuse seadme üle.
- ▶ **Tornile paigaldatud kettad, lihvimissilindrid, lõiketarvikud ja muud tarvikud peavad olema täies ulatuses sisestatud kinnitustsangi või padrunisse.** Torni "väljaulatumine" või katmata osa lihvimis-tarviku ja kinnitustsangi või padruni vahel peab olema minimaalne. Kui torn ei ole piisavalt pingutatud või kui lihvimistarvik ulatub liiga kaugemale ette, võib tarvik lahti tulla ja suurel kiirusel välja paiskuda.
- ▶ **Ärge kasutage kahjustatud tarvikuid.** Iga kord enne kasutamist kontrollige tarvikuid, näiteks lihvkettade rebendite ja pragude, lihvimisrulle pragude, kulumise või kasutusressursi ammendumise suhtes, traatharju lahtiste või murdunud traatide suhtes. Kui seade või tarvik kukub maha, kontrollige seda vigastuste suhtes ja vajaduse korral võtke kasutusele vigastamata tarvik. Pärast tarviku kontrollimist ja paigaldamist laske seadmel töötada ühe minuti jooksul maksimaalsetel pööretel. Seejuures veenduge, et ei Teie ega läheduses viibivad inimesed ei asu pöörleva tarvikuga ühel joonel. Nimetatud katseaja jooksul vigastatud tarvikud üldjuhul murduvad.
- ▶ **Kasutage isikukaitsevahendeid.** Kandke vastavalt töö iseloomule näokaitsemaski, silmade kaitsemaski või kaitseprille. Vajaduse korral kandke tolmukaitsemaski, kuulmiskaitsevahendeid, kaitsekindaid või kaitsepõlle, mis püüab kinni lihvimisel eralduvad väiksemad materjaliosakesed. Silmad peavad olema kaitstud erinevatel töödel eralduvate ja eemalepaiskuvate võõrkehade eest. Tolmu- ja hingamisteede kaitsemask peab filtreerima töötamisel tekkiva tolmu. Pikaajaline vali müra võib kahjustada kuulmist.
- ▶ **Veenduge, et teised inimesed viibivad tööpiirkonnast ohutul kaugusel.** Kõik tööpiirkonda sisenevad inimesed peavad kandma isikukaitsevahendeid. Töödeldava tooriku või murdunud tarviku osakesed võivad eemale paiskuda ja põhjustada vigastusi ka väljaspool vahetat tööpiirkonda.
- ▶ **Kui teete töid, mille puhul võib tarvik tabada varjatud elektrijuhtmeid, hoidke seadet isoleeritud haardepinnast.** Kokkupuude pingestatud elektrijuhtmega võib seada pinge alla ka seadme metalldetailid ja põhjustada elektrilöögi.
- ▶ **Käivitamisel hoidke elektrilist tööriista alati tugevasti kinni.** Täispööretele jõudmisel võib mootori reaktsioonimoment kasata tuua elektrilise tööriista paigastnihkumise.
- ▶ **Võimaluse korral kasutage tooriku kinnitamiseks pitskruvi.** Elektrilise tööriistaga töötamise ajal ärrge kunagi hoidke väikest toorikut ühes käes ja elektrilist tööriista teises käes. Kui väikesed toorikud on kinnitatud, on teil mõlemad käed vabad, selleks et tööriista paremini kontrolli all hoida. Ümarad toorikud, näiteks puidutüübid, latid või torud kalduvad löikamisel eemale veerema, mille tagajärjel võib toorik blokeeruda ja teie suunas paiskuda.
- ▶ **Ärge pange seadet kunagi käest enne, kui tarvik on täielikult seiskunud.** Pöörlev tarvik võib pinnaga kokku puutuda, mille tagajärjel võib seade Teie kontrolli alt väljuda.
- ▶ **Pärast tarvikute vahetamist või tööriista seadistamist pingutage kinnitustsangi mutter, padrun ja muud kinnituselemendid tugevasti kinni.** Lõdvalt kinnitatud kinnituselemendid võivad ootamatult lahti tulla ja põhjustada kontrolli kaotuse seadme üle; kinnitamata pöörlevad osad paiskuvad suure jõuga eemale.
- ▶ **Seadme kandmise ajal ei tohi seade töötada.** Pöörlev tarvik võib Teie riietega juhuslikult kokku puutuda ja Teid vigastada.
- ▶ **Puhastage seadme ventilatsioonivahend regulaarselt.** Mootori jahutusventilaator tõmbab tolmu korpusesse ning kuhjunud metallitolm võib põhjustada elektrilisi ohte.
- ▶ **Ärge kasutage seadet süttivate materjalide läheduses.** Sädemed võivad need materjalid süüdata.
- ▶ **Ärge kasutage tarvikuid, mille jahutamiseks on ette nähtud jahutusvedelikud.** Vee või teiste jahutusvedelike kasutamine võib põhjustada elektrilöögi.

#### Tagasilöökk ja asjaomased ohutusnõuded

Tagasilöökk on kinnikiilunud tarviku, näiteks lihvketta, lihvtalla, traatharja jmt tõttu tekkinud äkiline reaktsioon. Kinnikiilumine põhjustab pöörleva tarviku järsu seiskumise. Selle toimele liigub kontrolli alt väljunud seade tarviku pöörlemissuunale vastupidises suunas.

Kui näiteks lihvketas toorikus kinni kiilub, võib lihvketta serv toorikusse kinni jääda, mille tagajärjel võib lihvketas murduda või põhjustada tagasilöögi. Lihvketas liigub siis sõltuvalt ketta pöörlemissuunast kas seadme kasutaja poole või temast eemale. Lihvkettad võivad seejuures ka murduda.



Tagasilöök on seadme vale kasutuse või puudulike töövõtete tagajärg. Seda saab järgnevalt kirjeldatud sobivate ettevaatusabinõude rakendamisega ära hoida.

- ▶ **Hoidke seadet tugevasti kinni ja viige oma keha ja käed asendisse, milles saate tagasilöögiõududele vastu astuda.** Sobivate ettevaatusabinõude rakendamisega suudab seadme kasutaja tagasilöögiõudude siiski valitseda.
- ▶ **Töötage eriti ettevaatlikult nurkades, teravate servade piirkonnas jm. Vältige tarvikute tagasi-põrkumist toorikult ja tarvikute kinnikiilumist.** Pöörlev tarvik kaldub nurkades, teravate servade piirkonnas ja toorikult tagasi-põrkumise korral kinni kiiluma. See põhjustab kontrolli kaotuse seadme üle ja tagasilöögi.
- ▶ **Ärge kasutage hammastatud saeketast.** Sellised tarvikud põhjustavad tihti tagasilöögi või kontrolli kaotuse seadme üle.
- ▶ **Juhtige tarvikut materjalis alati lõikeserva materjalist väljumise suunas (vastab laastude väljaviske suunale).** Tööriista juhtimine vales suunas toob kaasa tarviku lõikeserva väljatuleku toorikust, mille tagajärjel tõmmatakse elektrist tööriista ettenihke suunas.
- ▶ **Pöörviilide, lõikeketaste, suure kiirusega pöörlevate freesimistarvikute või kõvasulammetallist freesimistarvikute kasutamisel kinnitage toorik alati tugevasti.** Need tarvikud kiiluvad kinni ka väikseima kalduvajumise korral ja võivad põhjustada tagasilöögi. Kinnikiiluvad lõikeketas üldjuhul puruneb. Pöörviilide, suure kiirusega pöörlevate freesimistarvikute või kõvasulammetallist freesimistarvikute kinnikiilumise korral võib tarvik soonest välja hüpata ja põhjustada kontrolli kaotuse tööriista üle.

#### Ohutuse erinõuded lihvimisel ja lõikamisel:

- ▶ **Kasutage üksnes konkreetse elektrilise tööriista jaoks ette nähtud lihvkettaid ja rakendage neid vaid ettenähtud töödeks. Näide: Ärge kunagi kasutage lõikeketta külgpinda lihvimiseks.** Lõikekettad on ette nähtud materjali lõikamiseks ketta servaga. Külgsuunas rakendatava jõu mõjul võib lõikeketas puruneda.
- ▶ **Kooniliste ja sirgete keermega lihvimistarvikute jaoks kasutage ainult õige suuruse ja pikkusega torne, mis ei ole kahjustada saanud.** Sobivad tornid vähendavad purunemise võimalust.
- ▶ **Vältige lõikeketta kinnikiilumist ja liiga suurt avaldatavat survet. Ärge tehke liiga sügavaid lõikeid.** Liigse surve avaldamine lõikekettale suurendab ketta koormust ja kinnikiilumisohtu ning sellega ka tagasilöögi või ketta purunemise võimalust.
- ▶ **Ärge viige oma kätt pöörleva lõikeketta ette ega taha.** Kui juhite lõikeketast toorikus oma käest eemale, võib tagasilöögi korral seade koos pöörleva kettaga paiskuda otse teie suunas.
- ▶ **Kui lõikeketas kinni kiilub või kui Te töö katkestate, lülitage seade välja ja hoidke seda paigal seni, kuni ketas on täielikult seiskunud. Ärge püüdke veel pöörlevat lõikeketast lõikejoonest välja tõmmata, vastasel juhul võib tekkida tagasilööki.** Tehke kindlaks ja kõrvaldage kinnikiilumise põhjus.
- ▶ **Ärge lülitage seadet sisse, kui see on veel toorikus. Laske lõikekettal kõigepealt saavutada maksimaalne pöörlemiskiirus ja jätkake seejärel lõiget ettevaatlikult.** Vastasel korral võib ketas kinni kiiluda, toorikust välja hüpata või põhjustada tagasilööki.
- ▶ **Plaadid ja suured toorikud toestage, et vältida kinnikiilunud lõikekettast põhjustatud tagasilöögi ohtu.** Suured toorikud kalduvad omaenda raskuse mõjul läbi painduma. Toorik peab olema toetatud mõlemalt küljelt ja nii lõikejoone lähedalt kui ka servast.
- ▶ **Olge eriti ettevaatlik uputuslõigete tegemisel seintesse või teistesse varjatud kohtadesse.** Uputatav lõikeketas võib gaasi- või veetorude, elektrijuhtmete või teiste objektide tabamisel põhjustada tagasilöögi.

#### Täiendavad ohutusnõuded töötamisel traatharjadega:

- ▶ **Pidage meeles, et traatharjast eraldub traaditükke ka tavalise kasutamise korral. Ärge avaldage traatharjale liigset survet.** Traadid võivad tungida kergesti läbi õhukeste riiete ja tekitada vigastusi.
- ▶ **Laske harjadel enne kasutamist vähemalt ühe minuti jooksul töökiirusel töötada. Veenduge, et sellel ajal ei ole kedagi harja ees ega harjaga samal joonel.** Selle aja jooksul võib harjast eralduda lahtisi tükke.
- ▶ **Suunake pöörlev traathari endast eemale.** Nende harjadega töötades võivad väikesed osakesed ja traaditükid suurel kiirusel eemale paiskuda ja läbi naha tungida.

### 2.3 Akude hoolikas käsitsemine ja kasutamine

- ▶ Järgige liitiumioonakude veo, ladustamise ja käsitsemise suhtes kehtivaid erinõudeid.
- ▶ Kaitske akusid kõrgete temperatuuride, otsese päikese kiirguse ja tule eest.
- ▶ Akusid ei tohi lahti võtta, muljuda, kuumutada üle 80 °C ega põletada.
- ▶ Ärge kasutage ega laadige akusid, mis on saanud löögi, kukkunud kõrgemalt kui üks meeter või muul viisil vigastada saanud. Võtke sellisel juhul alati ühendust **Hilti hooldekeskusega.**



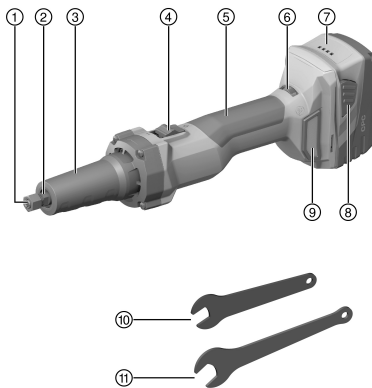
- ▶ Kui aku on nii kuum, et seda ei saa puudutada, võib aku olla defektnine. Asetage aku tulekindlasse kohta nii, et see jääb süttivatest materjalidest piisavalt kaugemale ja et seda saaks jälgida, ning laske akul jahtuda. Võtke sellisel juhul alati ühendust **Hilti hooldekeskusega**.

## 2.4 Täiendavad ohutusnõuded

- ▶ Töötamisel hoidke seadet nii, et lihvimistolm, lenduvad sädemed ja tarviku või tooriku küljest murduda võivad tükid ei taba teie keha.
- ▶ Tarviku vahetamiseks kasutage üksnes sobivat ja kahjustamata võtit.
- ▶ Tarvikud peavad töötama vibratsioonita. Ärge kasutage vibreerivaid tarvikuid.
- ▶ Ärge eemaldage laaste ega saepuru, kui seade töötab. Lülitage seade välja.
- ▶ Lülitage seade sisse alles töökohas.
- ▶ Tarviku vahetamisel kandke kaitsekindaid, kuna tarvik ja padrun võivad kasutamisel minna kuumaks.
- ▶ Töötades tehke pause ning lõdvestage oma sõrmi, et parandada sõrmede verevarustust. Pikemaajalist tööd korral võib vibratsioon tekitada probleeme sõrmede, käte ja liigeste veresoontes ja närvisüsteemis.
- ▶ Tagage töökohal hea ventilatsioon ja kandke tekkiva tolmu filtreerimiseks sobivat hingamisteede kaitsemaski.
- ▶ Enne tarviku kinnitamist puhastage tarviku saba. Veenduge, et tarviku saba on kinnitustsangi sisestatud vähemalt 20 mm ulatuses. Pärast tarviku sisestamist pingutage kinnitusmutter alati tugevasti kinni. Ebapiisavalt kinnitatud tarvikud võivad töötamise ajal lahti tulla ja välja paiskuda.
- ▶ Kasutage üksnes tarvikuid, mis vastavad punktis "Tehnilised andmed" esitatud andmetele.

## 3 Kirjeldus

### 3.1 Toote ülevaade



- ① Kinnitusmutter koos kinnitustsangiga
- ② Spindel
- ③ Kael / esikäepide
- ④ Lukustatav sisse-välja-lüliti
- ⑤ Käepide
- ⑥ Pöörete arvu seaderatas
- ⑦ Aku
- ⑧ Akuvabastusnupp
- ⑨ Tolmufilter
- ⑩ Väike võti, 12mm
- ⑪ Suur võti, 17mm

### 3.2 Sihipärane kasutus

Kirjeldatud toode on otslihvmasin. See on ette nähtud metalli töötlemiseks. See on ette nähtud lihvimiseks ja lõikamiseks, traatharjadega töötlemiseks, poleerimiseks ja freesimiseks.

Kasutage üksnes tarvikuid, mille saba vastab kinnitustsangi läbimõõdule. Juhinduge tehnilisest andmetest. Seade on ette nähtud vaid kuivtöötluks.

- Kasutage selle toote jaoks üksnes B 22 tüüpi **Hilti** liitiumioonakusid.
- Nende akude laadimiseks kasutage üksnes **Hilti** heakskiidetud laadimiseadmeid. Lisateavet leiate müügiesindusest **Hilti Store** või veebilehelt: [www.hilti.group](http://www.hilti.group)

### 3.3 Tarnekomplekt

Otslihvmasin, 2 võtit, kasutusjuhend

Muud süsteemitooted leiate müügiesindusest **Hilti Store** või veebisaidilt: [www.hilti.group](http://www.hilti.group)



### 3.4 Liitium-ioonaku laadimisoleku näit

Liitium-ioonaku laadimisoleku näidu kuvamiseks vajutage ühele akuvabastusnupule.

Seisund	Tähendus
4 LEDi põlevad.	Laadimisoleku näit: 75% kuni 100%
3 LEDi põlevad.	Laadimisoleku näit: 50% kuni 75%
2 LEDi põlevad.	Laadimisoleku näit: 25% kuni 50%
1 LED põleb.	Laadimisoleku näit: 10% kuni 25%
1 LED vilgub.	Laadimisoleku näit: < 10%

Töötamise ajal ja vahetult pärast töö lõppu ei ole võimalik aku laadimisolekut teada saada. Kui laadimisoleku näidiku LED-id vilguvad, tegutsege punktis „Törkeabi” toodud juhiste järgi.

## 4 Tehnilised andmed

<b>Kaal EPTA Procedure 01 järgi koos akuga B228.0</b>	2,6 kg	
<b>Nimipöörete arv</b>	10 000 p/min ... 25 000 p/min	
<b>Tarviku nõutav minimaalne pöörete arv</b>	≥ 25 000 p/min	
<b>Tarviku tööläbimõõt</b>	≤ 55 mm	
<b>Tarviku saba läbimõõt</b>	<b>Kinnitustsang 6 mm</b>	6 mm
	<b>Kinnitustsang 1/4 tolli</b>	1/4 in
<b>Spindli võtme laius</b>	12 mm	
<b>Kinnitusmutri võtme laius</b>	17 mm	
<b>Hoiutemperatuur</b>	-20 °C ... 70 °C	
<b>Ümbritseva keskkonna temperatuur töötamise ajal</b>	-17 °C ... 60 °C	

### 4.1 Andmed müra ja vibratsiooni kohta vastavalt standardile EN 62841

Käesolevas juhendis märgitud helirõhu- ja vibratsioonitase on mõõdetud standarditud mõõtemeetodil ja seda saab kasutada elektriliste tööriistade omavaheliseks võrdlemiseks. See sobib ka vibratsiooni- ja mürataseme esialgseks hindamiseks.

Toodud näitajad iseloomustavad elektrilise tööriista põhilisi ettenähtud töid. Kui aga elektrilist tööriista kasutatakse muul otstarbel, teiste tarvikutega või kui tööriista on ebapiisavalt hooldatud, võivad näitajad käesolevas juhendis toodud näitajatest kõrvale kalduda. See võib vibratsiooni- ja mürataset töötamise koguperioodil tunduvalt suurendada.

Ekspositsiooni täpseks hindamiseks tuleb arvesse võtta ka aega, mil seade oli välja lülitatud või küll sisse lülitatud, kuid tegelikult tööle rakendamata. See võib vibratsiooni- ja mürataset töö koguperioodil lõikes tunduvalt vähendada.

Kasutaja kaitseks müra ja/või vibratsiooni eest võtke tarvitusele täiendavaid kaitsemeetmeid, näiteks: hooldage elektrilist tööriista ja tarvikuid korralikult, hoidke käed soojad, tagage sujuv töökorraldus.

#### Mürateave

<b>Müra-helirõhutase (<math>L_{pA}</math>)</b>	76 dB(A)
<b>Helirõhutase mõõtemääramatus (<math>K_{pA}</math>)</b>	3 dB(A)
<b>Müravõimsustase (<math>L_{WA}</math>)</b>	87 dB(A)
<b>Müravõimsustase mõõtemääramatus (<math>K_{WA}</math>)</b>	3 dB(A)

#### Vibratsiooniteave

<b>Vibratsioonitase (<math>a_{h,v}</math>), olenevalt tarviku läbimõõdust</b>	<b>&lt; 25 mm</b>	0,7 m/s <sup>2</sup>
	<b>25... &lt; 50 mm</b>	15,9 m/s <sup>2</sup>
	<b>50... 55 mm</b>	22,2 m/s <sup>2</sup>
<b>Mõõtemääramatus (K)</b>		1,5 m/s <sup>2</sup>



## 4.2 Aku

Aku tööpinge	21,6 V
Ümbritseva keskkonna temperatuur töötamise ajal	-17 °C ... 60 °C
Hoiutemperatuur	-20 °C ... 40 °C
Aku temperatuur laadimise alguses	-10 °C ... 45 °C

## 5 Töö ettevalmistamine

### ETTEVAATUST

#### Vigastuste oht soovimatu käivitumise tõttu!

- ▶ Enne aku paigaldamist veenduge, et selle juurde kuuluv seade on välja lülitatud.
- ▶ Enne seadme seadistamist ja tarvikute vahetamist eemaldage seadmest aku.

Järgige kasutusjuhendis esitatud ja tootele märgitud ohutusnõudeid ja hoiatusi.

### 5.1 Aku laadimine

1. Enne laadimist lugege laadimiseadme kasutusjuhendit.
2. Veenduge, et aku ja laadimiseadme kontaktid on puhtad ja kuivad.
3. Laadige akut selleks ettenähtud laadimiseadmega.

### 5.2 Aku paigaldamine

#### ETTEVAATUST

#### Vigastuste oht lühise või allakukkunud aku tõttu!

- ▶ Enne aku paigaldamist veenduge, et aku ja seadme kontaktidel ei ole võõrkehaid.
- ▶ Veenduge, et aku fikseerub alati korrektselt kohale.

1. Enne esmakordset kasutamist laadige aku täiesti täis.
2. Asetage aku seadme hoidikusse, nii et fikseerub kuuldavalt kohale.
3. Kontrollige aku kindlat kinnitumist.

### 5.3 Aku eemaldamine

1. Vajutage aku vabastusnuppudele.
2. Tõmmake aku seadmest välja.

### 5.4 Tarviku vahetamine

#### TÄHELEPANU

**Vigastuste oht** põhjustatud tühjast kinnitustsangist kinnitusmutri kinnipingutamise järel.

- ▶ Ärge kunagi pingutage kinnitusmutrit kinni, kui tarvikut ei ole paigaldatud.

#### ETTEVAATUST

**Kehavigastuste ja varalise kahju oht** põhjustatud ebaühtlaselt pöörlevast või kahjustada saanud tarvikust.

- ▶ Ärge kasutage kahjustatud tarvikuid! Enne töö alustamist veenduge, et otslihvmasin ei tööta liiga suure vibratsiooniga.

1. Väikese võtmega hoidke kinni kinnitustsangi ja suure võtmega keerake lahti kinnitusmutter.
2. Tõmmake tarvik kinnitustsangist välja.
3. Torgake tarviku saba kinnitustsangi nii sügavale kui võimalik.
4. Saba mõõt  $L_0$  võib olla maksimaalselt 10 mm. Tarviku saba tuleb kinnitustsangi sisestada vähemalt 20 mm ulatuses.
5. Väikese võtmega hoidke kinni kinnitustsangi ja suure võtmega keerake kinni kinnitusmutter.
6. Kontrollige tarviku kindlat kinnitumist.





## 6 Käsitsemine

Järgige kasutusjuhendis esitatud ja tootele märgitud ohutusnõudeid ja hoiatusi.

### 6.1 Sisselülitamine

1. Vajutage sisse-välja-lüliti tagumist osa.
2. Lükake sisse-välja-lüliti suunaga ette.
  - ▶ Mootor töötab.
3. Lukustage sisse-välja-lüliti.

### 6.2 Töötamine

1. Lülitage seade sisse. → Lehekülg 21
2. Pöörete regulaatorist reguleerige välja tarviku ja kasutusotstarbega sobiv pöörete arv.
3. Töötamiseks kasutage alati ainult tarviku ettenähtud tööpinda. Näide: Ärge kunagi kasutage lõikeketta külgpinda lihvimiseks. Lõikekettad on ette nähtud materjali lõikamiseks ketta servaga.
4. Fikseerige töödeldav toorik. Otslihvmasinaga töötades ärge kunagi hoidke väikest toorikut ühes käes ja otslihvmasinat teises käes. Hoidke otslihvmasinat ettenähtud käepidemetest alati kahe käega.
5. Asetage otslihvmasin vastu toorikut. Töötage mõõduka survega ja ärge suruge tarvikut materjali sisse.

### 6.3 Väljalülitamine

- ▶ Vajutage sisse-välja-lüliti tagumist osa.
  - ▶ Sisse-välja-lüliti hüppab välja-asendisse ja mootor seiskub.

## 7 Hooldus ja korrashoid

### HOIATUS

**Vigastuste oht paigaldatud aku korral !**

- ▶ Enne mis tahes hooldus- ja korrashoiutöid eemaldage seadme aku!

### Seadme hooldamine

- Eemaldage kõvasti kinni olev mustus ettevaatlikult.
- Puhastage ventilatsiooniavad ettevaatlikult kuiva harjaga.
- Puhastage korpust kergelt niiske lapiga. Ärge kasutage silikooni sisaldavaid hooldusvahendeid, sest need võivad kahjustada seadme plastdetaile.

### Liitiumioonakude hooldus

- Hoidke aku puhas ja vaba õlist ja rasvast.
- Puhastage korpust kergelt niiske lapiga. Ärge kasutage silikooni sisaldavaid hooldusvahendeid, sest need võivad kahjustada seadme plastdetaile.
- Vältige vedeliku sissetungimist.

### Korrashoid

- Kontrollige regulaarselt, kas kõik nähtavad osad on terved ja kas juhtelemendid toimivad veatult.
- Kahjustuste ja/või tõrgete korral ei tohi seadet kasutada. Laske tööriist kohe **Hilti** hooldekeskuses parandada.
- Pärast hooldus- ja korrashoiutöid paigaldage kõik kaitseseadised ja kontrollige nende toimivust.



Tööohutuse tagamiseks kasutage ainult originaalvaruosi ja -materjale. Teie tootega sobivad ja meie poolt heakskiidetud varuosad, materjalid ja tarvikud leiате kauplusest **Hilti Store** või veebilehelt: [www.hilti.group](http://www.hilti.group).

### 7.1 Kinnitusmutri vahetamine

#### TÄHELEPANU

**Vigastuste oht** põhjustatud tühjast kinnitustsangist kinnitusmutri kinnipingutamise järel.

- ▶ Ärge kunagi pingutage kinnitusmutrit kinni, kui tarvikut ei ole paigaldatud.

1. Väikese võtmega hoidke kinni spindlit ja suure võtmega keerake lahti kinnitusmutter.



2. Vajaduse korral tõmmake tarvik kinnitustsangist välja.
3. Kruvige kinnitusmutter koos kinnitustsangiga otslihvmasina küljest täielikult maha.
4. Paigaldage uus kinnitusmutter koos kinnitustsangiga spindlile ja keerake kinnitusmutter lõdvalt kinni. Ärge pingutage kinnitusmutrit tugevasti kinni.

## 8 Akutööriistade transport ja ladustamine

### Transport

#### ETTEVAATUST

#### Soovimatu käivitumine transportimisel !

- ▶ Transportige tooteid ilma akudeta!

---

- ▶ Eemaldage akud.
- ▶ Ärge kunagi transportige akusid lahtiselt.
- ▶ Pärast pikemat transporti kontrollige tööriist, tarvikud ja akud enne kasutamist üle ja veenduge, et need on terved.

### Hoiustamine

#### ETTEVAATUST

#### Defektsed akud või lekkivad akud võivad tekitada vigastusi !

- ▶ Kasutusvälisel ajal eemaldage seadmest aku!

---

- ▶ Hoidke seadet, tarvikuid ja akusid võimalikult jahedas ja kuivas kohas.
- ▶ Ärge hoidke akusid kunagi päikese käes, küttekeha peal ega aknalaual.
- ▶ Hoiustage seadet, tarvikuid ja akusid lastele ja kõrvalistele isikutele ligipääsmatus kohas.
- ▶ Pärast pikemat hoiustamist kontrollige tööriist, tarvikud ja akud enne kasutamist üle ja veenduge, et need on terved.

## 9 Abi tõrgete puhul

Kui peaks esinema tõrge, mida ei ole järgmises tabelis nimetatud või mida te ei suuda ise kõrvaldada, pöörduge **Hilti** hooldekeskusse.

Tõrge	Võimalik põhjus	Lahendus
Aku tühjeneb tavalisest kiiremini.	Ümbritseva keskkonna temperatuur on väga madal.	▶ Laske akul soojeneda aeglaselt toatemperatuurini.
Aku ei fikseeru kuuldava klõpsuga kohale.	Aku lukustusnukid on määrdunud.	▶ Puhastage lukustusnukid ja paigaldage aku uuesti.
1 LED vilgub. Seade ei tööta.	Aku on tühi.  Aku on liiga kuum või liiga külm.	▶ Vahetage aku välja ja laadige tühi aku täis.  ▶ Laske akul aeglaselt toatemperatuurile soojeneda või jahtuda.
Kõik 4 LEDi vilguvad. Seade ei tööta.	Seade on ülekoormatud.	▶ Lülitage seade välja ja uuesti sisse. Seejärel laske seadmel u 30 sekundit tühikäigul töötada.
Seade või aku lähevad väga kuumaks.	Elektririke	▶ Lülitage seade kohe välja, eemaldage aku, kontrollige akut, laske sellel jahtuda ja võtke ühendust <b>Hilti</b> teeninduskeskusega.
Seade ei tööta täisvõimsusel.	Paigaldatud on liiga väikese mahutuvusega aku.	▶ Kasutage piisava mahutuvusega akut.
Mootori pidurdusfunktsioon ei toimi.	Aku on tühi.  Tööriistale on lühiajaliselt avaldunud ülekoormus.	▶ Vahetage aku välja ja laadige tühi aku täis.  ▶ Lülitage seade välja ja uuesti sisse.
Seade vibreerib tugevasti.	Tarvik ei ole seadmega ühildatav.	▶ Kasutage üksnes tarvikud, mis vastavad punktis "Tehnilised andmed" esitatud andmetele.



Tõrge	Võimalik põhjus	Lahendus
Seade vibreerib tugevasti.	Tarvik on kahjustatud, pöörleb ebaühtlaselt või on tasakaalust väljas.	► Kasutage üksnes veatuid tarvikuid.
	Seade on defektne	► Juhul kui saab välistada, et rikke põhjuseks on tarvik, siis pöörduge <b>Hilti</b> hooldekeskusse.

## 10 Utiliseerimine

**Hilti** seadmed on suures osas valmistatud taaskasutatavatest materjalidest. Taaskasutuse eelduseks on materjalide korralik sorteerimine. Paljudes riikides kogub **Hilti** kasutusressursi ammendanud seadmed kokku. Lisateavet saate **Hilti** müügiesindusest.

### Akude utiliseerimine

Asjatundmatu käitlemise korral võib akudest eralduda terviseohtlikke gaase või vedelikke.

- Ärge saatke kahjustada saanud akusid posti teel!
- Lühise vältimiseks katke akukontaktid elektrit mittejuhtiva materjaliga.
- Käideldge akusid nii, et need ei satu laste kätte.
- Utiliseerige aku **Hilti Store** esinduses või pöörduge asjaomase jäätmekäitlusettevõtte poole.



- Ärge visake kasutusressursi ammendanud elektrilisi tööriistu, elektroonikaseadmeid ja akusid olmejäätmete hulka!

## 11 RoHS (direktiiv ohtlike ainete kasutamise piirangute kohta)

Järgmiselt lingilt leiате ohtlike ainete tabeli: [qr.hilti.com/r11229136](http://qr.hilti.com/r11229136).

RoHS-tabeli juurde viiva lingi leiate käesoleva dokumendi lõpust QR-koodina.

## 12 Tootja garantii

- Kui Teil on küsimusi garantiitingimuste kohta, pöörduge **Hilti** müügiesindusse.

# Originālā lietošanas instrukcija

## 1 Informācija par dokumentāciju

### 1.1 Par šo dokumentāciju

- Pirms ekspluatācijas sākšanas obligāti izlasiet šo dokumentāciju. Tas ir priekšnoteikums darba drošībai un izstrādājuma lietošanai bez traucējumiem.
- Ievērojiet drošības norādījumus un brīdinājumus, kas atrodami šajā dokumentācijā un uz izstrādājuma.
- Vienmēr glabājiet lietošanas instrukciju izstrādājuma tuvumā un nododiet to kopā ar izstrādājumu, ja tas tiek nodots citām personām.

### 1.2 Apzīmējumu skaidrojums

#### 1.2.1 Brīdinājumi

Brīdinājumi pievērš uzmanību bīstamībai, kas pastāv, strādājot ar izstrādājumu. Tiek lietoti šādi signālvārdi:



**BĪSTAMI!**

**BĪSTAMI! !**

- Pievērš uzmanību draudošām briesmām, kas var izraisīt smagus miesas bojājumus vai nāvi.





**BRĪDINĀJUMS!**

**BRĪDINĀJUMS! !**

▶ Pievērs uzmanību iespējamam apdraudējumam, kas var izraisīt smagas traumas vai pat nāvi.



**IEVĒROT PIESARDZĪBU!**

**UZMANĪBU! !**

▶ Norāda uz iespējami bīstamām situācijām, kas var izraisīt vieglas traumas vai materiālos zaudējumus.

**1.2.2 Dokumentācijā lietotie simboli**

Šajā dokumentācijā tiek lietoti šādi simboli:

	Pirms lietošanas izlasiet instrukciju
	Norādījumi par lietošanu un cita noderīga informācija
	Rīcība ar atbilstošajiem materiāliem
	Neizmetiet elektroiekārtas un akumulatorus sadzīves atkritumos.

**1.2.3 Attēlos lietotie simboli**

Attēlos tiek lietoti šādi simboli:

	Šis skaitļi norāda uz attiecīgajiem attēliem, kas atrodami šīs instrukcijas sākumā.
	Numerācija attēlos atbilst veicamo darbību secībai un var atšķirties no darbību apraksta tekstā.
	Pozīciju numuri tiek lietoti attēlā <b>Pārskats</b> un norāda uz leģendas numuriem sadaļā <b>Izstrādājuma pārskats</b> .
	Šī simbola uzdevums ir pievērst īpašu uzmanību izstrādājuma lietošanas laikā.

**1.3 Simboli atkarībā no izstrādājuma**

**1.3.1 Simboli uz izstrādājuma**

Uz izstrādājuma var tikt lietoti šādi simboli:

	Iekārta atbalsta tehnoloģiju NFC, kas ir saderīga ar iOS un Android platformām.
	Izmantotā <b>Hilti</b> litija jonu akumulatoru sērija. Ņemiet vērā informāciju, kas iekļauta nodaļā <b>Nosacījumiem atbilstīga lietošana</b> .
	Litija jonu akumulators
	Nekādā gadījumā nelietojiet akumulatoru kā triecieninstrumentu.
	Sargājiet akumulatoru no kritieniem. Nelietojiet akumulatoru, ja tas ir bijis pakļauts triecienam vai tam ir radušies cita veida bojājumi.
	Līdzstrāva
	Valkājiet aizsargbrilles!
	Nominālais apgriezienu skaits
	Apgriezienu skaits minūtē
	Apgriezienu skaits minūtē





Diametrs

#### 1.4 Izstrādājuma informācija

**HILTI** izstrādājumi ir paredzēti profesionāliem lietotājiem, un to darbināšanu, apkopi un tehniskā stāvokļa uzturēšanu drīkst veikt tikai kvalificēts, atbilstīgi apmācīts personāls. Personālam ir jābūt labi informētam par iespējamajiem riskiem, kas var rasties darba laikā. Izstrādājums un tā papildaprīkojums var radīt bīstamas situācijas, ja to uztic neprofesionālam personālam vai nelieto atbilstīgi nosacījumiem.

Iekārtas tipa apzīmējums un sērijas numurs ir norādīti uz identifikācijas datu plāksnītes.

- ▶ Ierakstiet sērijas numuru zemāk redzamajā tabulā. Izstrādājuma dati jānorāda, vēršoties mūsu pārstāvniecībā vai servisā.

##### Izstrādājuma dati

Taisnā slīpmašīna ar akumulatoru	GDG 6-A22
Paaudze	01
Sērijas Nr.	

#### 1.5 Atbilstības deklarācija

Uzņemoties pilnu atbildību, mēs apliecinām, ka šeit aprakstītais izstrādājums atbilst šādām direktīvām un standartiem: Atbilstības deklarācijas attēls ir atrodams šīs dokumentācijas beigās.

Tehniskā dokumentācija ir saglabāta šeit:

Hilti Entwicklungsgesellschaft mbH | Zulassung Geräte | Hiltistraße 6 | 86916 Kaufering, DE

## 2 Drošība

### 2.1 Vispārīgi drošības norādījumi par darbu ar elektroiekārtām

**▲ BRĪDINĀJUMS!** Iepazīstieties ar visiem drošības norādījumiem, instrukcijām, attēliem un tehniskajiem parametriem, kas attiecas uz šo elektroiekārtu. Turpmāk izklāstīto instrukciju neievērošana var izraisīt elektrošoku, ugunsgrēku un/vai nopietnas traumas.

**Saglabājiet visus drošības norādījumus un instrukcijas turpmākai lietošanai.**

Drošības norādījumos lietotais apzīmējums "elektroiekārta" attiecas uz iekārtām ar tīkla barošanu (ar barošanas kabeli) vai iekārtām ar barošanu no akumulatora (bez kabeļa).

#### Drošība darba vietā

- ▶ **Uzturiet darba vietā tīrību un kārtību un nodrošiniet labu apgaismojumu.** Nekārtīgā darba vietā vai sliktā apgaismojumā var viegli notikt nelaimes gadījums.
- ▶ **Nestrādājiet ar elektroiekārtu sprādzienbīstamā vidē, kur atrodas uzliesmojoši šķidrumi, gāzes vai putekļi.** Darbības laikā elektroiekārtas mēdz dzirksteļot, un tas var izraisīt viegli uzliesmojošu putekļu vai tvaiku aizdegšanos.
- ▶ **Lietojot elektroiekārtu, neļaujiet nepiederošām personām un jo īpaši bērniem tuvoties darba vietai.** Citu personu klātbūtnē var novērst uzmanību, un tā rezultātā jūs varat zaudēt kontroli pār iekārtu.

#### Elektrodrošība

- ▶ **Elektroiekārtas kontaktdakšai jāatbilst elektrotīkla kontaktligzdai. Kontaktdakšas konstrukciju nedrīkst nekādā veidā mainīt. Kopā ar elektroiekārtām, kurām ir aizsargzemējums, nedrīkst lietot adapteru spraudņus.** Neizmaiņātas konstrukcijas kontaktdakša, kas atbilst kontaktligzdai, ļauj samazināt elektrošoka risku.
- ▶ **Darba laikā nepieskarieties sazemētiem priekšmetiem, piemēram, caurulēm, radiatoriem, plītiem vai ledusskapjiem.** Pieskaroties sazemētām virsmām, pieaug risks saņemt elektrisko triecienu.
- ▶ **Nelietojiet elektroiekārtu lietus laikā, neturiet to mitrumā.** Mitrumam iekļūstot elektroiekārtā, pieaug risks saņemt elektrisko triecienu.
- ▶ **Nenesiet un nepakariniet elektroiekārtu aiz barošanas kabeļa un neraujiet aiz kabeļa, ja vēlaties atvienot iekārtu no elektrotīkla kontaktligzdas. Sargājiet barošanas kabeli no karstuma, eļļas, asām šķautnēm vai kustīgām detaļām.** Bojāts vai sapīņķerējies barošanas kabelis var kļūt par cēloni elektrošokam.
- ▶ **Darbinot elektroiekārtu ārpus telpām, izmantojiet tās pievienošanai vienīgi tādus pagarinātājkabeļus, kas ir paredzēti lietošanai brīvā dabā.** Lietojot elektrokabeļus, kas ir piemērots darbam ārpus telpām, samazinās elektrošoka risks.



- ▶ **Ja elektroiekārtas izmantošana slapjā vidē ir obligāti nepieciešama, lietojiet bojājumstrāvas aizsargslēdzi.** Bojājumstrāvas aizsargslēdža lietošana samazina elektrošoka risku.

### Personiskā drošība

- ▶ **Strādājiet ar elektroiekārtu uzmanīgi, darba laikā saglabājiet paškontroli un rīkojieties saskaņā ar veselolo saprātu.** Ar elektroiekārtu nedrīkst strādāt personas, kas ir nogurušas vai atrodas narkotiku, alkohola vai medikamentu ietekmē. Mirkļis neuzmanības, strādājot ar elektroiekārtu, var novest pie nopietnām traumām.
- ▶ **Izmantojiet individuālos aizsardzības līdzekļus un darba laikā vienmēr valkājiet aizsargbrilles.** Individuālo aizsardzības līdzekļu (putekļu aizsargmaskas, neslīdošu apavu un aizsargķiveres vai ausu aizsargu) lietošana atbilstoši elektroiekārtas tipam un veicamā darba raksturam ļauj izvairīties no savainojumiem.
- ▶ **Nepieļaujiet iekārtas nekontrolētas ieslēgšanās iespēju.** Pirms pievienošanas elektrotīklam, akumulatora ievietošanas, elektroiekārtas satveršanas vai pārvietošanas pārliecinieties, ka tā ir izslēgta. Ja iekārtas pārvietošanas laikā pirksts atrodas uz slēdža vai ja ieslēgta iekārta tiek pievienota elektrotīklam, var notikt nelaimes gadījums.
- ▶ **Pirms elektroiekārtas ieslēgšanas jānoņem visi regulēšanas piederumi un uzgriežņu atslēgas.** Regulēšanas piederumi vai uzgriežņu atslēga, kas iekārtas ieslēgšanas brīdī atrodas iekārtā, var radīt traumas.
- ▶ **Izvairieties no nedabiskām pozām.** Darba laikā vienmēr saglabājiet līdzsvaru un nodrošinieties pret paslīdēšanu. Tas atvieglos elektroiekārtas vadību neparedzētās situācijās.
- ▶ **Izvēlieties darbam piemērotu apģērbu.** Darba laikā nenēsājiet brīvi plandošas drēbes un rotaslietas. Netuviniet matus, apģērbu un aizsargcimdus iekārtas kustīgajām daļām. Vaļīgas drēbes, rotaslietas un gari mati var ieķerties iekārtas kustīgajās daļās.
- ▶ **Ja elektroiekārtas konstrukcija ļauj pievienot putekļu nosūcšanas vai savākšanas ierīci, sekojiet, lai tā būtu pievienota un tiktu darbināta pareizi.** Putekļu nosūcēja lietošana samazina putekļu kaitīgo ietekmi.
- ▶ **Nezaudējiet modrību un neatkāpieties no elektroiekārtu lietošanas drošības noteikumu ievērošanas arī tad, ja lietojat attiecīgo elektroiekārtu bieži un kārtīgi to pārzināt.** Neuzmanība vienā sekundes daļā var novest pie smagām traumām.

### Elektroiekārtas lietošana un apkope

- ▶ **Nepārslodojiet elektroiekārtu.** Katram darbam izvēlieties piemērotu iekārtu. Elektroiekārta darbosies labāk un drošāk pie nominālās slodzes.
- ▶ **Nelietojiet elektroiekārtu, ja ir bojāts tās slēdzis.** Elektroiekārta, ko nevar ieslēgt un izslēgt, ir bīstama un nekavējoties jānodod remontā.
- ▶ **Pirms iestatījumu veikšanas, aprīkojuma daļu nomainīšanas vai iekārtas novietošanas uzglabāšanā atvienojiet kontaktakšus no elektrotīkla un/vai noņemiet noņemamo akumulatoru.** Šādi jūs novērsīsiet elektroiekārtas nejaušas ieslēgšanās risku.
- ▶ **Elektroiekārtu, kas netiek darbināta, uzglabājiet piemērotā vietā.** Neļaujiet lietot iekārtu personām, kas nav iepazinušas ar tās funkcijām un izlasījušas šo lietošanas instrukciju. Ja elektroiekārtu lieto nekompetentas personas, tas var apdraudēt cilvēku veselību.
- ▶ **Rūpīgi veiciet elektroiekārtu un to piederumu apkopi.** Pārbaudiet, vai kustīgās daļas darbojas bez traucējumiem un neķeras un vai kāda no daļām nav salauzta vai bojāta un tādējādi netraucē elektroiekārtas nevainojamu darbību. Raugieties, lai pirms iekārtas lietošanas tiktu nomainītas vai saremontētas bojātās daļas. Daudzi nelaimes gadījumi notiek tāpēc, ka elektroiekārtām nav nodrošināta pareiza apkope.
- ▶ **Griezējinstrumentiem vienmēr jābūt uzasinātiem un tīriem.** Rūpīgi kopti griezējinstrumenti ar asām šķautnēm retāk iestrēgst un ir vieglāk vadāmi.
- ▶ **Lietojiet elektroiekārtu, piederumus, maināmos instrumentus utt. saskaņā ar šiem norādījumiem.** Jāņem vērā arī konkrētie darba apstākļi un veicamās operācijas īpatnības. Elektroiekārtu lietošana citiem mērķiem, nekā to ir paredzējis ražotājs, ir bīstama un var izraisīt neparedzamas sekas.
- ▶ **Raugieties, lai rokturu un satveršanas virsmas būtu sausas, tīras, nenotraiņātas ar eļļu un smērvielām.** Ja rokturu vai satveršanas virsmas ir slidenas, nav iespējama droša elektroiekārtas vadība un kontrole neparedzamās situācijās.

### Ar akumulatoru darbināmas iekārtas lietošana un apkope

- ▶ **Akumulatora uzlādei jālieto tikai ražotāja ieteiktie lādētāji.** Noteikta veida akumulatoriem paredzēts lādētājs kļūst ugunsbīstams, ja to izmanto ar cita veida akumulatoriem.
- ▶ **Izmantojiet elektroiekārtas barošanai tikai tai paredzētos akumulatorus.** Cita tipa akumulatoru lietošana var izraisīt iekārtas un/vai akumulatora aizdegšanos.
- ▶ **Laikā, kad akumulators ir atvienots no iekārtas, nepieļaujiet tā kontaktu saskaršanos ar saspraudēm, monētām, atslēgām, naglām, skrūvēm vai citiem nelieliem metāla priekšmetiem, kas varētu**



**izraisīt īssavienojumu.** Ja starp akumulatora kontaktiem rodas īssavienojums, tas var sadegt vai kļūt par ugunsgrēka cēloni.

- ▶ **Nepareizi lietojot akumulatoru, no tā var izplūst šķidrums. Nepieļaujiet tā nokļūšanu uz ādas. Ja tas tomēr nejauši ir noticis, noskalojiet ar ūdeni. Ja šķidrums iekļūst acīs, izskalojiet acis un nekavējoties vērsieties pie ārsta.** No akumulatora izplūdušais šķidrums var izraisīt ādas kairinājumu vai apdegumus.
- ▶ **Nelietojiet bojātus vai modificētus akumulatorus.** Bojāti vai modificēti akumulatori var radīt neparedzamas situācijas un izraisīt ugunsgrēku, eksploziju vai traumas.
- ▶ **Nepakļaujiet akumulatoru uguns vai augstas temperatūras iedarbībai.** Uguns vai temperatūra virs 130 °C (265 °F) var izraisīt eksploziju.
- ▶ **Ievērojiet norādījumus par akumulatora lādēšanu un nekad nelādējiet akumulatoru vai ar akumulatoru darbināmo iekārtu ārpus lietošanas instrukcijā norādītā temperatūras diapazona.** Nepareiza lādēšana vai pieļaujamā temperatūras diapazona pārsniegšana var sabojāt akumulatoru un palielināt aizdegšanās risku.

## Serviss

- ▶ **Uzdodiet elektroiekārtas remontu veikt tikai kvalificētam personālam, kas izmanto vienīgi oriģinālās rezerves daļas.** Tikai tā ir iespējams saglabāt iekārtas funkcionālo drošību.
- ▶ **Nekādā gadījumā neveiciet bojātu akumulatoru apkopi.** Jebkādus akumulatoru apkopes darbus drīkst veikt tikai ražotājs vai atbilstīgi pilnvarots klientu apkalpošanas dienests.

## 2.2 Vispārēji drošības norādījumi, kas jāievēro, slīpējot, lietojot smilšpapīru, strādājot ar stieplu birstēm, veicot pulēšanas, frēzēšanas un abrazīvās griešanas darbus

- ▶ **Šī elektroiekārta ir paredzēta slīpēšanai ar rīpām un smilšpapīru, kā arī darbam ar stieplu birstēm, pulēšanai, frēzēšanai un abrazīvajai griešanai. Ievērojiet visus drošības norādījumus, instrukcijas, attēlus un datus, kas saņemti kopā ar iekārtu.** Šādu norādījumu neievērošana var kļūt par cēloni elektrotraumām, ugunsgrēkam un/vai smagiem savainojumiem.
- ▶ **Nelietojiet nekādu papildu aprikojumu, ja tā lietošanu kopā ar konkrēto elektroiekārtu nav paredzējis un ieteicis iekārtas ražotājs.** Tas vien, ka aprikojumu ir iespējams nostiprināt pie jūsu elektroiekārtas, vēl nenozīmē, ka tiek garantēta drošība.
- ▶ **Iekārtā nostiprināmā instrumenta pieļaujamajam rotācijas ātrumam jābūt vismaz tikpat lielam kā uz iekārtas norādītajam maksimālajam rotācijas ātrumam.** Ja instrumentu rotācijas ātrums pārsniedz pieļaujamo, tie var salūzt un aizlidot.
- ▶ **Iekārtā nostiprināmā instrumenta ārējam diametram un biežumam jāatbilst norādītajiem elektroiekārtas parametriem.** Instrumentus ar neatbilstīgiem parametriem nav iespējams pietiekami nosegt vai kontrolēt.
- ▶ **Slīpripām, slīpēšanas veltniem un citiem piederumiem precīzi jāatbilst elektroiekārtas slīpēšanas vārpstas vai fiksācijas spīļu izmēriem.** Maināmie darba instrumenti, kas precīzi neatbilst elektroiekārtas slīpēšanas vārpstas izmēriem, rotē nevienmērīgi, pastiprināti vibrē un var izraisīt kontroles zudumu.
- ▶ **Uz serdena uzmontētām rīpām, slīpēšanas cilindriem, griezējinstrumentiem vai citiem piederumiem jābūt līdz galam ievietotiem fiksācijas spīlēs vai patronā. Serdena „izvirzījumam“ jeb atsegtajam posmam starp slīpēšanas instrumentu un fiksācijas spīlēm vai patronu jābūt pēc iespējas mazam.** Ja serdenis nav pietiekami cieši iespīlēts vai slīpēšanas instruments ir izvirzīts pārāk tālu, darba instruments var atbrīvoties no fiksācijas un tikt aizsviests lielā ātrumā.
- ▶ **Nelietojiet bojātas elektroiekārtas. Pirms katras lietošanas reizes pārbaudiet darba instrumentus, lai pārliecinātos, ka, piemēram, slīpripām nav atdalījušās šķembas un radušās plaisas, slīpēšanas veltnī nav saplaisājuši vai izteikti nodiluši vai nolietojušies un stieplu birstēm nav atdalījušās vai salūzušās atsevišķas stieples.** Ja elektroiekārta vai nostiprināmais instruments nokrīt zemē, pārbaudiet, vai nav radušies bojājumi, un šaubu gadījumā lietojiet citu instrumentu. Pēc tam, kad esat instrumentu pārbaudījuši un nostiprinājuši iekārtā, ļaujiet iekārtai vienu minūti darboties ar maksimālo rotācijas ātrumu, nodrošinot, lai ne jūs, ne citas personas neatrastos rotējošā instrumenta kustības zonā. Ja nostiprinātais instruments ir bojāts, tas vairumā gadījumu salūst jau testa laikā.
- ▶ **Valkājiet individuālo aizsargaprikojumu. Atkarībā no darba veida lietojiet pilnu sejas masku, pusmasku vai aizsargbrilles. Ja nepieciešams, valkājiet masku ar putekļu filtru, austiņas vai ausu aizbāžņus, aizsargcimdus vai speciālu priekšautu, kas pasargā Jūs no slīpēšanas putekļiem un sīkām materiāla daļiņām.** Jāsargā acis no svešķermeņiem, kas dažādu darbu laikā var atdalīties no apstrādājamā materiāla. Respiratoram vai maskai jānodrošina darba laikā radīto putekļu filtrēšana. Ilgstoša spēcīga trokšņa iedarbība var izraisīt dzirdes traucējumus.



- ▶ **Pievērsiet uzmanību tam, lai darba zonai netuvotos citi cilvēki. Visiem, kas uzturas darba zonā, jāvalkā atbilstošs individuālais aizsargaprīkojums.** Apstrādājamā materiāla šķembas vai salūzuša instrumenta daļas var apraudēt cilvēkus arī ārpus tiešās darba veikšanas zonas.
- ▶ **Ja darba laikā pastāv iespēja, ka elektroiekārtā nostiprinātais instruments var nonākt saskarē ar apslēptiem elektriskajiem vadiem, vienmēr satveriet iekārtu tikai aiz izolētajām rokturu virsmām.** Saskaroties ar spriegumam pieslēgtiem vadiem, spriegums tiek novadīts uz iekārtas metāla daļām, radot elektrošoka risku.
- ▶ **Elektroiekārtas iedarbināšanas brīdī vienmēr turiet to cieši satvertu.** Paātrinoties līdz pilnam apgriezienu skaitam, motora reakcijas moments var izraisīt elektroiekārtas pagriešanos.
- ▶ **Ja viens iespējams, nofiksējiet apstrādājamo priekšmetu skrūvspīlēs. Nekādā gadījumā nestrādājiet, turot vienā rokā neliela izmēra apstrādājamo priekšmetu un otrā rokā – elektroiekārtu.** Ja apstrādājamais priekšmets ir nofiksēts skrūvspīlēs, jums abas rokas ir brīvas, lai varētu labāk kontrolēt elektroiekārtu. Apaļu priekšmetu, piemēram, koka dobtapu, stieņu materiāla vai cauruļu, griešanas laikā tiem piemīt ripošanas tendence, kas var izraisīt darba instrumenta iestrēgšanu un tā strauju kustību jūsu virzienā.
- ▶ **Nekad nenolieciet iekārtu, kamēr nav pilnībā apstājusies tajā nostiprinātā instrumenta kustība.** Rotējošais instruments var saskarties ar virsmu, uz kuras novietota iekārta, un jūs zaudēsiet kontroli pār elektroiekārtu.
- ▶ **Pēc darba instrumenta maiņas vai iekārtas iestāšanās stingri pievelciet fiksācijas spīļu uzgriezni, fiksācijas patronu vai citus stiprinājuma elementus.** Niekad nesēti stiprinājuma elementi var negaidīti pārregulēties un izraisīt kontroles zudumu; nenostiprināti, rotējoši komponenti tiek izsviesti ar centrbēdzes spēku.
- ▶ **Nekādā gadījumā nepārnēsājiet iedarbinātu elektroiekārtu.** Rotējošais darba instruments var nejauci nonākt saskarē ar jūsu apģērbu un izraisīt traumas.
- ▶ **Regulāri iztīriet elektroiekārtas ventilācijas atveres.** Motora ventilators ierauj putekļus iekārtas korpusā, tādēļ pastiprināta metāla putekļu uzkrāšanās var mazināt iekārtas elektrodrošību.
- ▶ **Nelietojiet elektroiekārtu degošu materiālu tuvumā.** Dzirksteles var izraisīt aizdegšanos.
- ▶ **Nelietojiet iekārtā darba instrumentus, kam nepieciešama dzesēšanas emulsija.** Ūdens vai citu dzesēšanas šķidrumu lietošana var kļūt par cēloni elektrošokam.

#### Atsitiens un ar to saistītie drošības norādījumi

Atsitiens ir negaidīta reakcija uz rotējoša instrumenta, piemēram, slīpripas, pulēšanas diska vai tērauda birstes u.c., iekēršanos vai nobloķēšanos. Ja instruments iekēras vai nobloķējas, nekavējoties tiek apstādināta tā rotācijas kustība. Tā rezultātā nepietiekami kontrolēta elektroiekārta tiek pakļauta straujam paātrinājumam triecienam, kas darbojas pretēji rotējošā instrumenta kustības virzienam.

Piemēram, ja slīpripa iekēras apstrādājamā materiālā vai nobloķējas, materiālā iegremdētā ripas mala var iestrēgt, izraisot slīpripas izlaušanu un radot atsitienu. Šādā gadījumā slīpripas kustība ir pavērsta pret iekārtas lietotāju vai pretējā virzienā – atkarībā no slīpripas rotācijas virziena nobloķēšanās vietā. Rezultātā slīpripa var arī salūzt.

Atsitiens ir nepareizas vai neatbilstīgas elektroiekārtu izmantošanas sekas. No tā ir iespējams izvairīties, ievērojot turpmāk aprakstītos drošības pasākumus.

- ▶ **Satveriet elektroiekārtu kārtīgi un ieņemiet tādu ķermeņa pozu un turiet rokas tā, lai nepieciešamības gadījumā varētu droši reaģēt uz atsitienu spēku.** Veicot atbilstīgus piesardzības pasākumus, iekārtas lietotājs var kontrolēt atsitienu spēkus.
- ▶ **Īpaša piesardzība jāievēro, strādājot asu šķautņu un stūru tuvumā u.tml. vietās. Nepieļaujiet iespēju, ka iekārtā nostiprinātais instruments var atsīties atpakaļ no apstrādājamā materiāla un iestrēgt.** Stūros, pie šķautnēm vai atsīšanās gadījumā rotējošajam instrumentam piemīt tendence iestrēgt. Tā rezultātā var zust kontrole pār iekārtu vai rasties spēcīgs atsitiens.
- ▶ **Nelietojiet zāga asmeņus ar zobiem.** Šādi instrumenti bieži rada atsitienu vai mazina kontroli pār elektroiekārtu.
- ▶ **Vienmēr virziet darba instrumentu apstrādājamajā materiālā tādā pašā virzienā, kādā instrumenta griežjmalā no tā tiek izbidīta (tas atbilst skaidu izmešanas virzienam).** Ja elektroiekārta tiek virzīta nepareizi, darba instrumenta griežjmalā var tikt izlauzta no apstrādājamā materiāla, paveicot elektroiekārtu padeves virzienā.
- ▶ **Lietojot rotējošās vīles, abrazīvās griezējripas, lielātruma frēzēšanas instrumentus vai cietsakausējuma frēzēšanas instrumentus, vienmēr kārtīgi nofiksējiet apstrādājamo priekšmetu.** Pat pavisam neliela darba instrumenta sašķiešanās rievā var izraisīt tā iestrēgšanu un novest pie atsitienu rašanās. Ja iestrēgst griezējripa, tā parasti salūst. Ja iestrēgst rotējošās vīles, abrazīvās griezējripas, lielātruma frēzēšanas instrumenti vai cietsakausējuma frēzēšanas instrumenti, tie var izlēkt no rievās un izraisīt kontroles zudumu pār elektroiekārtu.





### Īpaši drošības norādījumi par slīpēšanu un abrazīvo griešanu

- ▶ Lietojiet tikai un vienīgi jūsu elektroiekārtai paredzētos slīpēšanas instrumentus ieteiktajiem lietojuma veidiem. **Piemērs: nelietojiet griezējriņas slīpēšanai.** Griezējriņas ir paredzētas materiāla kārtas noņemšanai ar ripas malu. Ja uz šādiem slīpēšanas materiāliem iedarbojas spēks no sāniem, tie var salūzt.
- ▶ **Kopā ar koniskām un taisnām slīpēšanas tapām ar vītni lietojiet tikai nebojātus atbilstīga izmēra un garuma serdenus bez izvīzījuma pie kāta.** Atbilstīgu serdeni lietošana samazina salūšanas iespēju.
- ▶ **Nepieļaujiet griezējriņas nobloķēšanos un neizdariet uz to pārāk lielu spiedienu. Neveiciet pārmērīgi dziļus griezumus.** Griezējriņas pārslodze palielina spēkus, kas uz to iedarbojas, un sasvēršanās vai nobloķēšanās iespēju, kā rezultātā atbilstoši palielinās arī atsitienu un slīpēšanas materiāla salūšanas risks.
- ▶ **Nenovietojiet rokas rotējošās griezējriņas priekšpusē un aiz tās.** Ja jūs virzāt griezējriņu apstrādājamā materiālā tieši prom no savas rokas, atsitienu gadījumā elektroiekārta ar rotējošo griezējriņu centrālās daļes spēka iedarbībā tiks uzgrūsta jums virsū.
- ▶ **Ja griezējriņa iestrēgst vai ja vēlaties pārtraukt darbu, izslēdziet iekārtu un turiet to mierīgi, līdz ripas rotācija pilnībā apstājas. Nekādā gadījumā nemēģiniet izvilkēt griezējriņu no griezuma vietas, kamēr tā vēl rotē, jo tas var izraisīt atsitienu.** Atrodiet un novērsiet iestrēgšanas cēloni.
- ▶ **Nemēģiniet no jauna ieslēgt iekārtu, kamēr instruments atrodas materiālā. Vispirms ļaujiet griezējriņai sasniegt pilnu apgriezumu skaitu un tikai pēc tam varat uzmanīgi turpināt griezumu.** Pretējā gadījumā ripa var iestrēgt, atlēkt no apstrādājamā materiāla un izraisīt atsitienu.
- ▶ **Lai novērstu iestrēgušas griezējriņas atsitienu risku, plāksnes vai citas liela izmēra apstrādājamās detaļas atbilstoši jāatbalsta.** Liela izmēra detaļas var izlikties pašas no sava svāra. Detaļa jāatbalsta abās ripas pusēs, turklāt gan griezumam tuvumā, gan pie ārmas.
- ▶ **Ievērojiet īpašu piesardzību, izdarot iegremdētus griezumus esošās sienās vai citās nepārdzamās vietās.** Iegremdēšanas laikā griezējriņa var saskarties ar gāzes vai ūdensvada caurulēm, elektroinstalācijām vai citiem iestrādātiem objektiem un izraisīt atsitienu.

### Papildu drošības norādījumi par darbu ar stieplu birstēm:

- ▶ **Nemiet vērā, ka no stieplu birstēm arī parastas lietošanas laikā atdalās stieples gabaliņi. Nepārslogojiet stieples, izdarot uz birsti pārāk spēcīgu spiedienu.** Atdalījušies stieples gabaliņi var iedurties plānā apģērbā un/vai ādā.
- ▶ **Pirms sākt birstes lietošanu, ļaujiet tai vismaz vienu minūti rotēt darba ātrumā. Raugieties, lai šajā laikā birstes priekšpusē vai uz vienas līnijas ar to neatrastos citas personas.** Piestrādes laikā no birstes var atdalīties un aizlidot stieplu gabaliņi.
- ▶ **Pagrieziet rotējošo stieplu birsti prom no sevis.** Strādājot ar šādām birstēm, var atdalīties materiāla daļiņas un sīki stieples gabaliņi, kas var aizlidot lielā ātrumā un izdurties cauri ādai.

### 2.3 Akumulatoru pareiza lietošana un apkope

- ▶ Ievērojiet īpašos norādījumus par litija jonu akumulatoru transportēšanu, uzglabāšanu un ekspluatāciju.
- ▶ Sargājiet akumulatorus no augstas temperatūras, tiešiem saules stariem un uguns.
- ▶ Akumulatorus nedrīkst izjaukt, saspīest, sakarsēt virs 80 °C vai sadedzināt.
- ▶ Nemēģiniet izmantot vai uzlādēt akumulatorus, kas bijuši pakļauti triecienam, krituši no vairāk nekā viena metra augstuma vai ir citā veidā bojāti. Šādā gadījumā vienmēr vērsieties savā **Hilti servisā**.
- ▶ Ja akumulators kļūst pārāk karsts, iespējams, ka tas ir bojāts. Novietojiet iekārtu pietiekamā attālumā no degošiem materiāliem, vietā, kur nevar notikt aizdegšanās un kur to iespējams pastāvīgi novērot, un ļaujiet tai atdzist. Šādā gadījumā vienmēr vērsieties savā **Hilti servisā**.

### 2.4 Papildnorādījumi par drošību

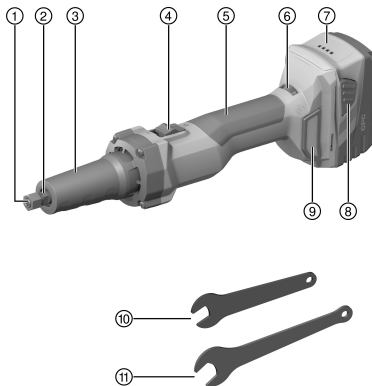
- ▶ Iekārtas lietošanas laikā turiet to tā, lai slīpēšanas putekļi, dzirksteles un iespējamās šķembas, kas var atlūzt no darba instrumenta vai apstrādājamā materiāla, nevarētu skart jūsu ķermeni.
- ▶ Darba instrumentu nomainīai lietojiet tikai precīzi atbilstīgas un nebojātas atslēgas.
- ▶ Darba instrumentu rotācijas kustībai jābūt nevainojamai un apaļai. Nelietojiet neapaļus darba instrumentus.
- ▶ Neveiciet skaidu vai šķembu aizvākšanu, kamēr izstrādājums darbojas. Izslēdziet izstrādājumu.
- ▶ Ieslēdziet iekārtu tikai tad, kad tā atrodas darba zonā.
- ▶ Darba instrumentu nomainīu veiciet ar aizsargcimdīm, jo instruments un tā stiprinājums lietošanas laikā sakarst.



- ▶ Strādājiet ar pārtraukumiem, kā arī veiciet atslābināšanās un pirkstu vingrinājumus, kas uzlabo asinsriti. Ilgstoša darba gadījumā vibrācija var radīt traucējumus pirkstu, roku vai plaukstu locītavu asinsvadu un nervu sistēmas funkcijās.
- ▶ Nodrošiniet darba vietā labu ventilāciju un, ja nepieciešams, valkājiet elpceļu aizsargmasku, kas aizsargā pret attiecīgā veida putekļiem.
- ▶ Pirms darba instrumenta ievietošanas notīriet tā kātu. Raugieties, lai darba instrumenta kāts vienmēr būtu nofiksēts spīlēs vismaz 20 mm garā posmā. Pēc darba instrumenta ievietošanas vienmēr stingri pievelciet fiksācijas uzgriezni. Ja darba instrumenti nav pietiekami nostiprināti, tie iekārtas darbības laikā var atbrīvoties no fiksācijas un tikt aizsviesti ar centrbēdzes spēku.
- ▶ Lietojiet tikai tādus darba instrumentus, kas atbilst tehniskajos parametros norādītajiem datiem.

### 3 Apraksts

#### 3.1 Izstrādājuma pārskats 1



- 1 Fiksācijas uzgrieznis ar fiksācijas spīlēm
- 2 Vārpsta
- 3 Kakls / priekšējais rokturis
- 4 Nobloķējams ieslēgšanas un izslēgšanas slēdzis
- 5 Rokturis
- 6 Apgriezienu skaita regulators
- 7 Akumulators
- 8 Akumulatora atbloķēšanas taustiņš
- 9 Putekļu filtrs
- 10 Mazā atslēga, 12 mm
- 11 Lielā atslēga, 17 mm

#### 3.2 Nosacījumiem atbilstīga lietošana

Aprakstītais izstrādājums ir taisnā slīpmašīna. Tā ir paredzēta metālapstrādei. Tā ir paredzēta slīpēšanai un abrazīvajai griešanai, darbam ar stieplu birstēm, pulēšanai un frēzēšanai.

Lietojiet tikai tādus darba instrumentus, kuru kāta diametrs atbilst iebūvētajām fiksācijas spīlēm. Ņemiet vērā tehniskajos parametros iekļauto informāciju.

Izstrādājums ir paredzēts tikai darbam ar sauso tehnoloģiju, nepievadot ūdeni.

- Lietojiet šī izstrādājuma barošanai tikai sērijas B 22 Hilti litija jonu akumulatorus.
- Lietojiet šo akumulatoru uzlādēšanai tikai Hilti ieteiktos lādētājus. Sīkāku informāciju meklējiet Hilti Store vai tīmekļvietnē [www.hilti.group](http://www.hilti.group).

#### 3.3 Piegādes komplektācija

Taisnā slīpmašīna, 2 atslēgas, lietošanas instrukcija

Citus šim izstrādājumam izmantojamus sistēmas produktus meklējiet Hilti Store vai tīmekļvietnē: [www.hilti.group](http://www.hilti.group)

#### 3.4 Litija jonu akumulatora uzlādes līmeņa indikācija

Litija jonu akumulatora uzlādes līmeni iespējams apskatīties, īsi nospiežot vienu no akumulatora atbloķēšanas taustiņiem.

Statuss	Nozīme
4 LED deg.	Uzlādes līmenis: no 75 % līdz 100 %
3 LED deg.	Uzlādes līmenis: no 50 % līdz 75 %
2 LED deg.	Uzlādes līmenis: no 25 % līdz 50 %
1 LED deg.	Uzlādes līmenis: no 10 % līdz 25 %



<b>Statuss</b>	<b>Nozīme</b>
1 LED mirgo.	Uzlādes līmenis: < 10 %

**i** Darba laikā un uzreiz pēc tā pabeigšanas uzlādes līmeņa nolasišana nav iespējama. Ja mirgo akumulatora uzlādes līmeņa indikācijas LED, lūdzu, sekojiet nodaļas "Traucējumu diagnostika" norādījumiem.

#### 4 Tehniskie parametri

<b>Svars saskaņā ar EPTA Procedure 01, ar akumulatoru B22/8.0</b>	2,6 kg	
<b>Nominālais apgriezību skaits</b>	10 000 apgr./min ... 25 000 apgr./min	
<b>Instrumenta nepieciešamais minimālais apgriezību skaits</b>	≥ 25 000 apgr./min	
<b>Instrumenta darba diametrs</b>	≤ 55 mm	
<b>Instrumenta kāta diametrs</b>	<b>Fiksācijas spīles 6 mm</b>	6 mm
	<b>Fiksācijas spīles 1/4"</b>	1/4 in
<b>Vārpstas atslēgas platums</b>	12 mm	
<b>Fiksācijas uzgriežņa atslēgas platums</b>	17 mm	
<b>Uzglabāšanas temperatūra</b>	-20 °C ... 70 °C	
<b>Apkārtējā temperatūra darbības laikā</b>	-17 °C ... 60 °C	

##### 4.1 Informācija par troksni un vibrāciju saskaņā ar EN 62841

Šajās instrukcijās norādītie lielumi, kas raksturo skaņas spiedienu un vibrāciju, ir noteikti ar standartizētās mērījumu metodes palīdzību, un tos var izmantot elektroiekārtu savstarpējai salīdzināšanai. Tos var izmantot arī trokšņa un vibrācijas iedarbības pagaidu novērtējumam.

Norādītie parametri attiecas uz elektroiekārtas galvenajiem lietošanas veidiem. Taču, ja elektroiekārta tiek izmantota citos nolūkos, ar citiem maināmajiem instrumentiem vai netiek nodrošināta pietiekama tās apkope, parametri var atšķirties no norādītajiem. Tas var ievērojami palielināt trokšņa un vibrācijas iedarbību visā darba laikā.

Lai precīzi novērtētu iedarbību, jāņem vērā arī laiks, cik ilgi iekārta ir izslēgta vai ir ieslēgta, taču faktiski netiek darbināta. Tas var būtiski samazināt iedarbību kopējā darba laikā.

Jāparedz papildu drošības pasākumi, lai aizsargātu iekārtas lietotāju pret trokšņa un/vai vibrācijas iedarbību, piemēram, elektroiekārtas un apkope, roku turēšana siltumā, darba procesu organizācija.

##### Informācija par troksni

<b>Skaņas spiediena līmenis (<math>L_{pA}</math>)</b>	76 dB(A)
<b>Skaņas spiediena līmeņa pielaide (<math>K_{pA}</math>)</b>	3 dB(A)
<b>Skaņas jaudas līmenis (<math>L_{WA}</math>)</b>	87 dB(A)
<b>Skaņas jaudas līmeņa pielaide (<math>K_{WA}</math>)</b>	3 dB(A)

##### Informācija par vibrāciju

<b>Vibroemisijas vērtība (<math>a_n</math>), atkarībā no darba instrumenta diametra</b>	<b>&lt; 25 mm</b>	0,7 m/s <sup>2</sup>
	<b>25 ... &lt; 50 mm</b>	15,9 m/s <sup>2</sup>
	<b>50 ... 55 mm</b>	22,2 m/s <sup>2</sup>
<b>Iespējamā kļūda (K)</b>		1,5 m/s <sup>2</sup>

##### 4.2 Akumulators

<b>Akumulatora darba spriegums</b>	21,6 V
<b>Apkārtējā temperatūra darbības laikā</b>	-17 °C ... 60 °C
<b>Uzglabāšanas temperatūra</b>	-20 °C ... 40 °C
<b>Akumulatora temperatūra uzlādes sākumā</b>	-10 °C ... 45 °C



## 5 Sagatavošanās darbam

### IEVĒROT PIESARDZĪBU!

**Traumu risks nejaušas iedarbošanās gadījumā!**

- ▶ Pirms akumulatora ievietošanas pārliecinieties, ka attiecīgais izstrādājums ir izslēgts.
- ▶ Pirms iekārtas iestatīšanas vai piederumu nomaiņas izņemiet no iekārtas akumulatoru.

Ievērojiet drošības norādījumus un brīdinājumus, kas atrodami šajā dokumentācijā un uz izstrādājuma.

### 5.1 Akumulatora uzlādēšana

1. Pirms uzlādes sākšanas izlasiet lādētāja lietošanas instrukciju.
2. Raugieties, lai akumulatora un lādētāja kontaktu virsmas ir tīras un sausas.
3. Veiciet akumulatora uzlādi atbilstīgā lādētājā.

### 5.2 Akumulatora ievietošana

#### IEVĒROT PIESARDZĪBU!

**Traumu risks īssavienojuma vai akumulatora nokrišanas gadījumā!**

- ▶ Pirms akumulatora ievietošanas pārliecinieties, ka uz akumulatora un izstrādājuma kontaktiem neatrodas nekādi svešķermeņi.
- ▶ Pārbaudiet, vai akumulators ir droši nofiksēts.

1. Pirms pirmās lietošanas pilnībā uzlādējiet akumulatoru.
2. Ievietojiet akumulatoru iekārtas stiprinājumā, līdz tas dzirdami nofiksējas.
3. Pārbaudiet, vai akumulators ir droši nofiksēts.

### 5.3 Akumulatora izņemšana

1. Nospiediet akumulatora atbloķēšanas taustiņus.
2. Izvelciet akumulatoru no iekārtas.

### 5.4 Darba instrumenta maiņa

#### UZMANĪBU!

**Bojājumu risks** uzgriežņa pievilkšanas gadījumā, kad fiksācijas spīles ir tukšas.

- ▶ Nekādā gadījumā nepievelciet fiksācijas uzgriezni, ja nav ievietots darba instruments.

#### IEVĒROT PIESARDZĪBU!

**Traumu un iekārtas bojājumus risks** nevienmērīgi rotējoša vai bojāta darba instrumenta lietošanas gadījumā.

- ▶ Nelietojiet bojātas elektroiekārtas. Pirms darba sākšanas pārbaudiet, vai slīpmašīnas kustība nerada pastiprinātu vibrāciju.

1. Ar mazo atslēgu turiet fiksācijas spīles un ar lielo atslēgu atskrūvējiet fiksācijas uzgriezni.
2. Izvelciet darba instrumentu no fiksācijas spīlēm.
3. Iebīdīet darba instrumenta kātu fiksācijas spīlēs tik dziļi, cik vien iespējams.
4. Kāta brīvais posms  $L_0$  nedrīkst būt lielāks kā 10 mm. Fiksācijas spīlēs jābūt ievietotam vismaz 20 mm garam darba instrumenta kāta posmam.
5. Ar mazo atslēgu turiet fiksācijas spīles un ar lielo atslēgu pievelciet fiksācijas uzgriezni.
6. Pārbaudiet darba instrumenta fiksāciju.

## 6 Lietošana

Ievērojiet drošības norādījumus un brīdinājumus, kas atrodami šajā dokumentācijā un uz izstrādājuma.

### 6.1 Ieslēgšana

1. Nospiediet ieslēgšanas / izslēgšanas slēdža aizmugurējo daļu.



2. Pabīdīet ieslēgšanas / izslēgšanas slēdzi uz priekšu.
  - ▶ Motors darbojas.
3. Nobloķējiet ieslēgšanas / izslēgšanas slēdzi.

## 6.2 Darbs

1. Ieslēdziet izstrādājumu. → Lappuse 32
2. Ar apgriezīgu skaita iestatīšanas gredzenu iestatiet tādu apgriezīgu skaitu, kāds atbilst darba instrumentam un plānotajam lietojumam.
3. Vienmēr strādājiet tikai ar apstrādei paredzēto instrumenta darba virsmu. Piemērs: nelietojiet griezējriņas slīpēšanai. Griezējriņas ir paredzētas materiāla kārtas noņemšanai ar ripas malu.
4. Nofiksējiet apstrādājamo priekšmetu. Nekādā gadījumā nestrādājiet, turot vienā rokā neliela izmēra apstrādājamo priekšmetu un otrā rokā – slīpmašīnu. Vienmēr stingri turiet slīpmašīnu ar abām rokām aiz šim nolūkam paredzētajiem rokturiem.
5. Virziet taisno slīpmašīnu gar apstrādājamo materiālu. Strādājiet ar mērenu spēku un nespiediet darba instrumentu apstrādājamajā materiālā.

## 6.3 Izslēgšana

- ▶ Nospiediet ieslēgšanas / izslēgšanas slēdža aizmugurējo daļu.
  - ▶ Ieslēgšanas / izslēgšanas slēdzis pārvietojas izslēgšanas pozīcijā, un motors apstājas.

## 7 Apkope un uzturēšana

### BRĪDINĀJUMS!

**Traumu risks ievietota akumulatora gadījumā !**

- ▶ Pirms jebkādiem apkopes un tehniskā stāvokļa uzturēšanas darbiem vienmēr izņemiet akumulatoru!

### Iekārtas apkope

- Uzmanīgi notīriet pielīpušos netīrumus.
- Uzmanīgi iztīriet ventilācijas atveres ar sausu birstīti.
- Korpusa tīrīšanai jālieto tikai nedaudz samitrināta drāniņa. Nedrīkst lietot silikonu saturošus kopšanas līdzekļus, kas var sabojāt plastmasas daļas.

### Litija jonu akumulatoru apkope

- Raugieties, lai akumulators ir tīrs un nebūtu savārtīts ar eļļu un smērvielām.
- Korpusa tīrīšanai jālieto tikai nedaudz samitrināta drāniņa. Nedrīkst lietot silikonu saturošus kopšanas līdzekļus, kas var sabojāt plastmasas daļas.
- Nepieļaujiet mitruma iekļūšanu.

### Uzturēšana

- Regulāri pārbaudiet visas redzamās daļas, lai pārliecinātos, ka tās nav bojātas un funkcionē nevainojami.
- Bojājumu un/vai funkciju traucējumu gadījumā izstrādājumu nedrīkst lietot. Tas nekavējoties jānodod **Hilti**, lai veiktu remontu.
- Pēc apkopes un remonta darbiem visas aizsargierīces jāpiemontē vietā un jāpārbauda, vai tās darbojas.



Lai iekārtas lietošana būtu droša, izmantojiet tikai oriģinālās rezerves daļas un patēriņa materiālus. Rezerves daļas un patēriņa materiālus, kuru lietošanu kopā ar šo iekārtu mēs akceptējam, var atrast **Hilti Store** vai tīmekļvietnē. [www.hilti.group](http://www.hilti.group).

## 7.1 Fiksācijas uzgriežņa maiņa

### UZMANĪBU!

**Bojājumu risks** uzgriežņa pievilksanas gadījumā, kad fiksācijas spīles ir tukšas.

- ▶ Nekādā gadījumā nepievelciet fiksācijas uzgriezni, ja nav ievietots darba instruments.

1. Ar mazo atslēgu turiet vārpstu un ar lielo atslēgu atskrūvējiet fiksācijas uzgriezni.
2. Ja nepieciešams, izvelciet maināmo instrumentu no fiksācijas spīlēm.
3. Pilnībā noskrūvējiet no slīpmašīnas fiksācijas uzgriezni kopā ar fiksācijas spīlēm.



4. Uzlieciet jaunu fiksācijas uzgriezni ar fiksācijas spilēm uz vārpstas un vaļīgi uzskrūvējiet uz tās fiksācijas uzgriezni. Nepievelciet fiksācijas uzgriezni.

## 8 Ar akumulatoru darbināmo iekārtu transportēšana un uzglabāšana

### Transportēšana

#### IEVĒROT PIESARDZĪBU!

#### Nekontrolēta iedarbošanās transportēšanas laikā !

- ▶ Pirms iekārtu transportēšanas vienmēr izņemiet no tām akumulatorus!

- ▶ Izņemiet akumulatorus.
- ▶ akumulatorus nekādā gadījumā nedrīkst transportēt nenostiprinātā veidā, sabērtus kaudzēs.
- ▶ Pirms atsākt iekārtas, akumulatoru un darba instrumentu lietošanu pēc ilgākas transportēšanas, pārbaudiet, vai tie nav bojāti.

### Uzglabāšana

#### IEVĒROT PIESARDZĪBU!

#### Neparedzami bojājumi bojātu vai izplūdušu akumulatoru dēļ !

- ▶ Pirms iekārtu novietošanas glabāšanā vienmēr izņemiet no tām akumulatorus!
- ▶ Ja iespējams, iekārta, akumulatori un darba instrumenti jāglabā vēsā un sausā vietā.
- ▶ Nekādā gadījumā neglabājiet akumulatorus augstā temperatūrā, tiešos saules staros vai aiz stikla.
- ▶ Glabājiet iekārtu, akumulatorus un darba instrumentus vietā, kas nav pieejama bērniem un nepiederošām personām.
- ▶ Pirms atsākt iekārtas, akumulatoru un darba instrumentu lietošanu pēc ilgākas uzglabāšanas, pārbaudiet, vai tie nav bojāti.

## 9 Traucējumu novēršana

Ja iekārtas darbībā radušies traucējumi, kas nav uzskaitīti šajā tabulā vai ko jums neizdodas novērst saviem spēkiem, lūdzu, meklējiet palīdzību mūsu **Hilti** servisā.

Traucējums	Iespējamais iemesls	Risinājums
Akumulators izlādējas ātrāk nekā parasti.	Ļoti zema apkārtējā temperatūra.	▶ Ļaujiet akumulatoram pamazām sasilt līdz istabas temperatūrai.
Akumulators nenofiksējas ar sadzirdamu klikšķi.	Netīri akumulatora fiksācijas izciļņi.	▶ Notīriet fiksācijas mēlītes un nofiksējiet akumulatoru no jauna.
1 LED mirgo. Iekārta nedarbojas.	Akumulators ir izlādējies.	▶ Nomainiet akumulatoru un uzlādējiet tukšo akumulatoru.
	Akumulators ir pārāk auksts vai pārāk karsts.	▶ Ļaujiet akumulatoram pamazām sasilt vai atdzist līdz istabas temperatūrai.
Visas 4 LED mirgo. Iekārta nedarbojas.	Iekārta ir pārslogota.	▶ Izslēdziet un vēlreiz ieslēdziet iekārtu. Pēc tam apm. 30 sekundes darbiniet iekārtu tukšgaitā.
Iekārta vai akumulators spēcīgi sakarst.	Elektrisks defekts.	▶ Nekavējoties izslēdziet iekārtu, izņemiet akumulatoru no iekārtas, vērojiet to, ļaujiet tam atdzist un vērsieties <b>Hilti</b> servisā.
Iekārta nedarbojas ar pilnu jaudu	Ievietots akumulators ar pārāk mazu kapacitāti.	▶ Lietojiet akumulatoru ar pietiekamu kapacitāti.
Nedarbojas motora bremzēšana.	Akumulators ir izlādējies.	▶ Nomainiet akumulatoru un uzlādējiet tukšo akumulatoru.
	Iekārta ir īslaicīgi pārslogota.	▶ Izslēdziet un vēlreiz ieslēdziet iekārtu.



Traucējums	Iespējamais iemesls	Risinājums
Iekārta spēcīgi vibrē.	Darba instruments nav saderīgs ar iekārta.	▶ Lietojiet tikai tādas darba instrumentus, kas atbilst tehniskajos parametros norādītajiem datiem.
	Darba instruments ir bojāts, nepašs vai nenobalansēts.	▶ Lietojiet tikai tādas darba instrumentus, kas ir nevainojamā stāvoklī.
	Iekārta ir bojāta	▶ Ja esat pārliecinājušies, ka cēlonis nav saistīts ar darba instrumentu, vērsieties <b>Hilti</b> servisā.

## 10 Nokalpojušo iekārtu utilizācija

**Hilti** iekārtu izgatavošanā tiek izmantoti galvenokārt otrreiz pārstrādājami materiāli. Priekšnosacījums otrreizējai pārstrādei ir atbilstoša materiālu šķirošana. Daudzās valstīs **Hilti** pieņem nolietotās iekārtas otrreizējai pārstrādei. Lai saņemtu vairāk informācijas, vērsieties **Hilti** servisā vai pie sava pārdošanas konsultanta.

### Akumulatoru utilizācija

Ja akumulatoru utilizācija netiek veikta pareizā veidā, var izplūst kaitīgas gāzes un šķidrums, kas apdraud veselību.

- ▶ Bojātus akumulatorus nav atļauts nosūtīt!
- ▶ Lai nepieļautu īssavienojumus, nosedziet pieslēguma kontaktus ar materiālu, kam nepiemīt elektriskā vadītspēja.
- ▶ Utilizējiet akumulatorus tā, lai tiem nevarētu piekļūt bērni.
- ▶ Nododiet akumulatoru utilizācijai jūs apkalpojošajā **Hilti Store** vai vērsieties pie kompetentā atkritumu apsaimniekošanas uzņēmuma.



- ▶ Neizmetiet elektroiekārtas, elektroniskas ierīces un akumulatorus sadzīves atkritumos!

## 11 RoHS (direktīva par bīstamo vielu izmantošanas ierobežošanu)

Lai apskatītu bīstamo vielu tabulu, izmantojiet šādu saiti: [qr.hilti.com/r11229136](http://qr.hilti.com/r11229136).

Saiti uz RoHS tabulu jūs QR koda veidā atradīsiet šīs dokumentācijas beigās.

## 12 Ražotāja garantija

- ▶ Ar jautājumiem par garantijas nosacījumiem, lūdz, vērsieties pie vietējā **Hilti** partnera.

# Originali naudojimo instrukcija

## 1 Dokumentų duomenys

### 1.1 Apie šią instrukciją

- Prieš pradėdami eksploatuoti, perskaitykite šią instrukciją. Tai yra saugaus darbo ir patikimo naudojimo sąlyga.
- Laikykitės šioje instrukcijoje ir ant prietaiso pateiktų saugos nurodymų ir įspėjimų.
- Šią naudojimo instrukciją visada laikykite kartu su prietaisu, prietaisą kitiems asmenims perduokite tik kartu su šia instrukcija.



## 1.2 Ženklių paaiškinimas

### 1.2.1 Įspėjantieji nurodymai

Įspėjantieji nurodymai įspėja apie pavojus, gresiančius eksploatuojant prietaisą. Naudojami tokie signaliniai žodžiai:

#### PAVOJUS

##### PAVOJUS!

- Šis žodis vartojamas norint įspėti apie tiesiogiai gresiantį pavojų, kurio pasekmės yra sunkūs kūno sužalojimai arba žūtis.

#### ĮSPĖJIMAS

##### ĮSPĖJIMAS!

- Šis žodis vartojamas norint įspėti apie galimai gresiantį pavojų, kurio pasekmės gali būti sunkūs kūno sužalojimai arba žūtis.

#### ATSARGIAI

##### ATSARGIAI!

- Šis žodis vartojamas potencialiai pavojingai situacijai žymėti, kai yra lengvo kūno sužalojimo arba materialinių nuostolių grėsmė.

### 1.2.2 Instrukcijoje naudojami simboliai

Šioje instrukcijoje naudojami tokie simboliai:

	Prieš naudojant, perskaityti instrukciją
	Naudojimo nurodymai ir kita naudinga informacija
	Rodo, kad juo paženklintą medžiagą galima perdirbti
	Elektrinių prietaisų ir akumuliatorių nemesti į buitinius šiukšlynus

### 1.2.3 Ilustracijose naudojami simboliai

Ilustracijose naudojami šie simboliai:

	Šis skaitmenys nurodo atitinkamą iliustraciją šios instrukcijos pradžioje
	Numeravimas nurodo darbinių veiksmų eiliškumą paveikslėlyje ir gali skirtis nuo tekste pateikto darbinių veiksmų numeravimo
	Pozicijų numeriai naudojami paveikslėlyje <b>Apžvalga</b> – jie nurodo skyrelyje <b>Prietaiso vaizdas</b> esančių paaiškinimų numerius
	Šiuo ženklu siekiama atkreipti ypatingą dėmesį į naudojimąsi šiuo prietaisu.

## 1.3 Specifiniai prietaiso simboliai

### 1.3.1 Simboliai ant prietaiso

Ant prietaiso gali būti naudojami šie simboliai:

	Prietaisas palaiko NFC technologiją, suderinamą su „iOS“ ir „Android“ platformomis.
	Naudotas <b>Hilti</b> serijos ličio jonų akumulatorius. Atkreipkite dėmesį į duomenis skyriuje <b>Naudojimas pagal paskirtį</b> .
Li-Ion	Ličio jonų akumulatorius





	Niekada nenaudokite akumulatoriaus kaip smūginio įrankio.
	Saugokite, kad akumulatorius nenukristų. Nenaudokite akumulatoriaus, kuris buvo sutrenktas arba kaip nors kitaip pažeistas.
---	Nuolatinėrovė
	Dirbant užsidėti apsauginius akinius!
n	Nominalusis sukimosi greitis
/min	Apsisukimai per minutę
RPM	Apsisukimai per minutę
∅	Skersmuo

#### 1.4 Informacija apie prietaisą

gaminiai yra skirti profesionalams, todėl juos naudoti, techniškai prižiūrėti ir remontuoti leidžiama tik igaliotam instruktuoam personalui. Šis personalas turi būti supažindintas su visais galimais pavojais. Neapmokyto personalo, netinkamai arba ne pagal paskirtį naudojamais prietaisais ir jo reikmenys gali kelti pavojų.

Tipas ir serijos numeris yra nurodyti firminėje duomenų lentelėje.

- ▶ Serijos numerį perkeltkite į toliau nurodytą lentelę. Kreipdamiesi su prietaisu susijusiais klausimais į mūsų atstovybę ar techninės priežiūros centrą, visada nurodykite šiuos prietaiso duomenis.

##### Prietaiso duomenys

Akumulatorinis tiesinis šlifuoaklis	GDG 6-A22
Karta	01
Serijos Nr.	

#### 1.5 Atitikties deklaracija

Prisiimdami visą atsakomybę pareiškiamo, kad čia yra aprašytas gaminys atitinka galiojančias direktyvas ir normas. Atitikties deklaracijos kopiją rasite šios instrukcijos gale.

Techninė dokumentacija saugoma čia:

Hilti Entwicklungsgesellschaft mbH | Zulassung Geräte | Hiltistraße 6 | 86916 Kaufering, DE

## 2 Sauga

### 2.1 Bendrieji saugos nurodymai dirbantiems su elektriniais įrankiais

**⚠ IŠPĖJIMAS Perskaitykite visus ant šio elektrinio įrankio esančius saugos nurodymus, instrukcijas, paveikslėlius ir techninius duomenis.** Šių nurodymų nesilaikymas gali tapti elektros smūgio, gaisro ir / arba sunkių sužalojimų priežastimi.

**Išsaugokite visus saugos nurodymus ir instrukcijas, kad galėtumėte į juos pažvelgti ateityje.**

Saugos nurodymuose vartojama sąvoka „elektrinis įrankis“ apibrėžiami iš elektros tinklo maitinami elektriniai įrankiai (turintys maitinimo kabelį) ir iš akumulatoriaus maitinami elektriniai įrankiai (be maitinimo kabelio).

#### Sauga darbo vietoje

- ▶ **Pasirūpinkite, kad darbo vieta visada būtų švari ir gerai apšviesta.** Netvarkinga ar blogai apšviesta darbo vieta gali tapti nelaimingų atsitikimų priežastimi.
- ▶ **Nenaudokite elektrinio įrankio sprogojie aplinkoje, kurioje yra degių skysčių, dujų arba dulkių.** Veikiantys elektriniai įrankiai kibirkščiuoja, ir kibirkštys gali uždegti dulkes arba susikaupusius garus.
- ▶ **Dirbdami su elektriniu įrankiu, neleiskite darbo zonoje būti vaikams ir pašaliniam asmenims.** Atitraukę dėmesį nuo darbo, galite nebesuvaldyti prietaiso.



## Apsauga nuo elektros

- ▶ **Prietaiso maitinimo kabelio kištukas turi atitikti elektros lizdo tipą. Kištuko jokia būdu negalima keisti. Nenaudokite tarpinių kištukų kartu su elektriniais įrankiais, turinčiais apsauginį įžeminimą.** Nepakeisti kištukai ir tinkami elektros lizdai mažina elektros smūgio riziką.
- ▶ **Venkite kūno kontakto su įžemintais paviršiais, pvz., vamzdžiais, šildytuvais, viryklėmis ir šaldytuvais.** Kai žmogaus kūnas yra įžemintas, padidėja elektros smūgio tikimybė.
- ▶ **Elektrinius įrankius saugokite nuo lietaus ir drėgmės.** Į elektrinį įrankį patekus vandens, padidėja elektros smūgio rizika.
- ▶ **Nenaudokite elektros maitinimo kabelio ne pagal paskirtį, t. y. neneškite elektrinio įrankio paėmę už kabelio, nekabinkite jo ant kabelio, netraukite už kabelio, norėdami ištraukti kištuką iš elektros lizdo. Elektros maitinimo kabelį saugokite nuo karščio, alyvos, aštrių briaunų ar judančių dalių.** Pažeisti arba susipynę elektros maitinimo kabeliai didina elektros smūgio riziką.
- ▶ **Jei su elektriniu įrankiu dirbate lauke, naudokite tik tokius ilginimo kabelius, kurie tinka ir lauko darbams.** Naudojant lauko darbams tinkančius ilginimo kabelius, mažėja elektros smūgio rizika.
- ▶ **Jeigu elektrinio įrankio naudojimo drėgnoje aplinkoje negalima išvengti, į elektros tinklą jįjunkite per apsauginę nuotėkio relę.** Apsauginė nuotėkio relė mažina elektros smūgio riziką.

## Žmonių sauga

- ▶ **Dirbdami su elektriniu įrankiu, būkite atidūs, sutelkite dėmesį į darbą ir vadovaukitės sveika nuovoka. Elektrinio įrankio nenaudokite, jeigu esate pavargę arba apsvaigę nuo narkotinių medžiagų, alkoholio ar vaistų.** Neatidumo akimirka dirbant su elektriniu įrankiu gali tapti rimtų sužalojimų priežastimi.
- ▶ **Naudokite asmenines apsaugos priemones ir visuomet užsidėkite apsauginius akinius.** Naudojant asmenines apsaugos priemones, pvz., respiratorių, neslystančius apsauginius batus, apsauginį šalną, ausines ir kt., priklausomai nuo elektrinio įrankio tipo ir naudojimo, mažėja rizika susižaloti.
- ▶ **Saugokitės, kad neįjungtumėte prietaiso atsitiktinai. Prieš prijungdami prie elektros maitinimo tinklo, įdėdami akumuliatorių, imdami į rankas ar nešdami, įsitikinkite, kad elektrinis įrankis yra išjungtas.** Jeigu nešdami elektrinį įrankį pirštą laikysite ant jungiklio arba įrankį įjungsitė į elektros tinklą tuomet, kai jungiklis nėra išjungtas, gali įvykti nelaimingas atsitikimas.
- ▶ **Prieš įjungdami elektrinį įrankį, pašalinkite iš jo reguliavimo įrankius ar veržlinius raktus.** Besisukančioje prietaiso dalyje esantis įrankis ar paliktas raktas gali tapti sužalojimų priežastimi.
- ▶ **Venkite nepatogių kūno padėčių. Dirbdami stovėkite tvirtai ir visada išlaikykite kūno pusiausvyrą.** Taip galėsite geriau kontroliuoti elektrinį įrankį netikėtose situacijose.
- ▶ **Vilkėkite tinkamą aprangą. Nevilkėkite plačių drabužių, nesidėkite papuošalų. Saugokite plaukus, drabužius ir pirštines nuo besisukančių prietaiso dalių.** Laisvus drabužius, papuošalus ir ilgus plaukus gali įtraukti besisukančios prietaiso dalys.
- ▶ **Jei yra numatyta galimybė prijungti dulkių nusiurbimo ar surinkimo įrenginius, visada įsitikinkite, kad jie yra prijungti ir tinkamai naudojami.** Naudojant dulkių nusiurbimo įrenginį, gali sumažėti dulkių keliami grėsmė.
- ▶ **Neturėkite iliuzijų, kad visada esate saugūs, ir, skaitydami naudojimo instrukcijas, nepraleiskite skyrelių apie saugų darbą su elektriniais įrankiais, net jeigu per ilgus naudojimo metus esate su savo elektriniu įrankiu susipažinę.** Neatsargus veiksmas per sekundės dalį gali tapti sunkių sužalojimų priežastimi.

## Elektrinio įrankio naudojimas ir elgesys su juo

- ▶ **Prietaiso neperkraudkite. Naudokite Jūsų darbui tinkamą elektrinį įrankį.** Su tinkamu elektriniu įrankiu dirbsite geriau ir saugiau, jei neviršysite nurodytos galios.
- ▶ **Nenaudokite elektrinio įrankio su sugedusiu jungikliu.** Elektrinis įrankis, kurio nebegalima įjungti ar išjungti, yra pavojingas ir jį reikia remontuoti.
- ▶ **Prieš prietaisą nustatydami, keisdami reikmenis ar tiesiog padėdami į šalį, visuomet ištraukite maitinimo kabelio kištuką iš elektros lizdo ir / arba iš prietaiso išimkite akumuliatorių.** Ši atsargumo priemonė leis išvengti netikėto elektrinio įrankio įsijungimo.
- ▶ **Nenaudokite elektrinius įrankius saugokite vaikams nepasiekiamoje vietoje. Neleiskite prietaisu naudotis asmenims, kurie nėra su juo susipažinę arba nėra perskaitę šios instrukcijos.** Elektriniai įrankiai yra pavojingi, kai juos naudoja patirties neturintys asmenys.
- ▶ **Elektrinius įrankius ir reikmenis rūpestingai prižiūrėkite. Tikrinkite, ar judančios elektrinio įrankio dalys tinkamai funkcionuoja ir niekur nekliūva, ar nėra sulūžusių ir pažeistų dalių, kurios blogintų įrankio veikimą. Prieš naudojimą pažeistos prietaiso dalys turi būti suremontuotos.** Blogai prižiūrimi elektriniai įrankiai yra daugelio nelaimingų atsitikimų priežastis.
- ▶ **Pjovimo įrankiai visuomet turi būti aštrūs ir švarūs.** Rūpestingai prižiūrėti pjovimo įrankiai su aštriomis pjovimo briaunomis mažiau stringa ir yra lengviau valdomi.



- ▶ **Elektrinį įrankį, reikmenis, keičiamuosius įrankius ir t. t. naudokite pagal šias instrukcijas. Taip pat atsižvelkite į darbo sąlygas ir atliekamo darbo pobūdį.** Elektrinius įrankius naudojant ne pagal paskirtį, gali kilti pavojingos situacijos.
- ▶ **Prižiūrėkite rankenas, kad jos ir jų laikymo paviršiai visada būtų sausi, švarūs ir neriebaluoti.** Slidžios rankenos ir jų laikymo paviršiai negali užtikrinti elektrinio įrankio saugaus naudojimo ir valdymo kontrolės nenumatytoje situacijoje.

#### **Akumulatorinio įrankio naudojimas ir elgesys su juo**

- ▶ **Akumulatoriams įkrauti naudokite tik tuos kroviklius, kuriuos rekomenduoja gamintojas.** Kroviklį, tinkantį tik nurodytiems akumuliatorių tipams, naudojant kitiems akumulatoriams įkrauti, kyla gaisro pavojus.
- ▶ **Elektriniuose įrankiuose naudokite tik konkrečiai jiems skirtus akumulatorius.** Naudojant kitokius akumulatorius, kyla pavojus susižaloti ir sukelti gaisrą.
- ▶ **Nenaudojamo akumulatoriaus nelaikykite šalia sąvaržėlių, monetų, raktų, vinių, varžtų ar kitokių smulkių metalinių daiktų, kurie galėtų trumpai sujungti akumulatoriaus kontaktus.** Trumpai sujungus akumulatoriaus kontaktus, yra pavojus nusidenginti ar sukelti gaisrą.
- ▶ **Netinkamai naudojant akumuliatorių, iš jo gali ištekėti skystis. Venkite kontakto su šiuo skystičiu. Jei skystčio atsitiktinai pateko ant odos, nuplaukite ją vandeniu, jei pateko į akis - gerai praplaukite jas vandeniu ir nedelsdami kreipkitės į gydytoją.** Akumulatoriaus skystis gali sudirginti arba chemiškai nudeginti odą.
- ▶ **Nenaudokite pažeisto arba perdirbto akumulatoriaus.** Pažeisti arba perdirbti akumulatoriai gali funkcionuoti nenumatytai, todėl gali kelti gaisro, sprogo ar sužalojimų pavojų.
- ▶ **Akumuliatorių saugokite nuo ugnies ir per aukštos temperatūros.** Ugnies arba didesnės kaip 130 °C (265 °F) temperatūros veikiamas akumulatorius gali sprogti.
- ▶ **Laikykites visų įkrovimo instrukcijų ir akumuliatorių arba akumulatorinį įrankį visada įkraukite tik eksploatavimo instrukcijoje nurodytame temperatūrų diapazone.** Netinkamas įkrovimas arba įkrovimas už leistino temperatūrų diapazono ribų gali sugadinti akumuliatorių ir padidinti gaisro pavojų.

#### **Techninė priežiūra**

- ▶ **Savo elektrinį įrankį patikėkite remontuoti tik kvalifikuotam specialistui, tam jis turi naudoti tik originalias atsargines dalis.** Taip galima užtikrinti, kad bus išlaikytas prietaiso naudojimo saugumas.
- ▶ **Niekada nevykdysite pažeistų akumuliatorių techninės priežiūros.** Bet kokią akumuliatorių techninę priežiūrą leidžiama vykdyti tik gamintojui arba įgaliotoms klientų aptarnavimo įmonėms.

### **2.2 Bendrieji saugos nurodymai šlifuojant, šlifuojant švitrinium popieriumi, dirbant su vieliniais špečiais, poliruojant, frezuojant ir pjaunant**

- ▶ **Šis elektrinis įrankis turi būti naudojamas kaip šlifuoKLIS, šlifavimo švitrinium popieriumi mašina, vielinis šepetys, poliravimo mašina, frezuoti ir kaip pjovimo mašina.** Atkreipkite dėmesį į visus saugos nurodymus, instrukcijas, iliustracijas ir duomenis, kuriuos gaunate kartu su prietaisu. Nepaisant šių nurodymų, kyla elektros smūgio, gaisro ir / arba sunkių sužalojimų pavojus.
- ▶ **Nenaudokite reikmenų, kurių šiam elektriniam įrankiui specialiai nenumato ir nerekomenduoja gamintojas.** Vien tai, kad prie Jūsų elektrinio įrankio galima pritvirtinti reikmenį, negarantuoja jo saugaus naudojimo.
- ▶ **Keičiamąjo įrankio leistinas sukimosi greitis turi būti bent jau ne mažesnis už ant elektrinio įrankio nurodytą didžiausią sukimosi greitį.** Priedas, kuris sukasi greičiau nei leistina, gali trūkti ir pasklisti į šalis.
- ▶ **Keičiamąjo įrankio išorinis skersmuo ir storis turi atitikti elektrinio įrankio duomenis.** Netinkamų matmenų keičiamųjų įrankių negalima pakankamai apsaugoti ir kontroliuoti.
- ▶ **Šlifavimo diskai, šlifavimo ritinėliai arba kiti priedai turi tiksliai atitikti Jūsų elektrinio įrankio sukli arba suspaudžiamąją įvorę.** Keičiamieji įrankiai, kurie nevisiškai tinka į elektrinio įrankio griebtuvą, sukasi netolygiai, smarkiai vibruoja, ir todėl prietaisas gali tapti nevaldomas.
- ▶ **Ant kotelio sumontuoti diskai, šlifavimo cilindrai, pjovimo įrankiai arba kiti priedai turi būti visiškai įstatyti į suspaudžiamąją įvorę arba suspaudžiamąjį griebtuvą. „Iškyša“ arba laisva kotelio dalis tarp šlifavimo galvutės ir suspaudžiamosios įvorės arba suspaudžiamąjo griebtuvo turi būti minimali.** Jei kotelis nepakankamai suspaustas arba šlifavimo galvutė yra per toli, keičiamasis įrankis gali atsilaisvinti ir išlėkti dideliu greičiu.
- ▶ **Nenaudokite sugadintų keičiamųjų įrankių. Prieš kiekvieną naudojimą patikrinkite keičiamuosius įrankius, ar, pvz., šlifavimo diskai nenusiklė ir neižtrūkę, šlifavimo ritinėliai neižtrūkę, nesudilę arba smarkiai nesudėvėję, vielinių špečių vielos nėra atsipalaidavusios ar sulūžusios.** Jei elektrinis įrankis arba keičiamasis įrankis nukrito, patikrinkite, ar jis nepažeistas, arba naudokite nepažeistą keičiamąjį įrankį. Patikrinę ir sumontavę keičiamąjį įrankį, leiskite prietaisui vieną minutę suktsi



maksimaliu greičiu; tuo metu nestovėkite patys ir neleiskite būti kitiems asmenims besisukančio keičiamojo įrankio plokštumoje. Pažeisti keičiamieji įrankiai paprastai trūksta būtent šiuo laikotarpiu.

- ▶ **Naudokite asmenines apsaugos priemones. Priklausomai nuo naudojimo pobūdžio, užsidėkite veidą saugančią kaukę, akis saugančias priemones arba apsauginius akinius. Naudokite respiratorių, ausines, apsaugines pirštines arba specialią prijuostę, apsaugančius nuo šlifuojant atskylančių mažų medžiagos dalelių.** Akys turi būti apsaugotos nuo skriejančių svetimkūnių, kurių būna prietaisu atliekant bet kokius darbus. Dulkių kaukės ar respiratoriai turi filtruoti darbo metu kylančias dulkes. Ilgą laiką dirbdami triukšmingoje aplinkoje, galite pakenkti klausai.
- ▶ **Atkreipkite dėmesį, kad kiti asmenys būtų saugiai atstumu nutolę nuo Jūsų darbo zonos. Kiekvienas į darbo zoną įžengiantis asmuo turi būti užsidėjęs asmenines apsaugos priemones.** Ruošinio dalelės arba sulūžusio keičiamojo įrankio nuolaužos gali būti išsviestos tolyn ir sužaloti žmones, esančius už darbo zonos ribų.
- ▶ **Jeigu vykdant darbus keičiamasis įrankis gali paliesti paslėptus elektros laidus, elektrinį įrankį laikykite tik paėmę už izoliuotų rankenų paviršių.** Dėl kontakto su laidais, kuriais teka elektros srovė, metalinėse prietaiso dalyse taip pat gali atsirasti įtampa, todėl kyla elektros smūgio pavojus.
- ▶ **Įjungdami elektrinį įrankį visada laikykite tvirtai.** Pradedant veikti didžiausiu sukimosi greičiu, elektrinis įrankis gali persisukti dėl variklio reaktyviojo momento.
- ▶ **Jei galima, ruošiniui užfiksuoti naudokite spaustuvus. Niekada nelaikykite mažo ruošinio vienoje rankoje, o elektrinio įrankio kitoje, kai jį naudojate.** Mažus ruošinius įtvirtinus spaustuvoose, abi rankos bus laisvos, ir geriau galėsite kontroliuoti elektrinį įrankį. Pjaunant apvalius ruošinius, pvz., medinius kaiščius, strypus arba vamzdžius, jie gali nuriedėti suspausdami ir sviesdami keičiamąjį įrankį į Jus.
- ▶ **Nedėkite elektrinio įrankio ant žemės ar kito paviršiaus tol, kol keičiamasis įrankis visiškai nestos.** Besisukantis keičiamasis įrankis gali paliesti paviršių, todėl elektrinio įrankio galite nesuvaldyti.
- ▶ **Pakeitę keičiamuosius įrankius arba nustatę prietaisą priveržkite suspaudžiamosios įvorės veržlę arba kitus tvirtinimo elementus.** Nepriveržti tvirtinimo elementai gali netikėtai pakrypti, ir dėl to nesuvaldysite įrankio; nepritvirtintos besisukančios dalys gali būti smarkiai išsviestos.
- ▶ **Išjunkite elektrinį įrankį, kai jį nešate iš vienos vietos į kitą.** Besisukantis keičiamasis įrankis gali pagriebti Jūsų drabužius ir sužaloti Jūsų kūną.
- ▶ **Reguliariai valykite elektrinio įrankio vėdinimo plyšius.** Variklio ventilatorius įsiurbia į prietaiso korpusą dulkių; dėl per didelių metalo dulkių sankaupų prietaisas gali tapti elektriška nesaugus.
- ▶ **Nenaudokite elektrinio įrankio netoli degių medžiagų.** Kibirkštys šias medžiagas gali uždegti.
- ▶ **Nenaudokite keičiamųjų įrankių, kuriuos reikia aušinti aušinimo skysčiais.** Naudojant vandenį arba kitus aušinimo skysčius, kyla elektros smūgio pavojus.

#### Atatranka ir atitinkami saugos nurodymai

Atatranka yra staigi prietaiso reakcija į besisukančio keičiamojo įrankio, pvz., šlifavimo disko, šlifavimo lėkštės, vielinio šepčio ir t. t., įstrigimą arba užsiblokavimą. Dėl strigimo arba blokavimo besisukantis keičiamasis įrankis staiga sustoja. Todėl nevaldomas elektrinis įrankis blokavimo vietoje pajuda priešinga keičiamojo įrankio sukimuisi kryptimi.

Jei šlifavimo diskas ruošinyje įstringa arba užsiblokuoja, ruošinyje esanti disko briauna gali pakrypti ir lūžti arba sukelti atatranką. Tada šlifavimo diskas ima judėti nuo dirbančiojo arba jo link, priklausomai nuo disko sukimosi krypties blokavimo vietoje. Tokiu atveju šlifavimo diskas taip pat gali trūkti.

Atatrankos jėga atsiranda dėl netinkamo elektrinio įrankio naudojimo. Jos galima išvengti naudojant tinkamas, toliau aprašomas atsargumo priemones.

- ▶ **Elektrinį įrankį laikykite tvirtai; Jūsų kūnas ir rankos turi būti tokioje padėtyje, kad atlaikytumėte atatrankos jėgas.** Dirbantysis, jei imsis tinkamų saugos priemonių, gali suvaldyti atatrankos jėgas.
- ▶ **Ypač atsargiai dirbkite kampuose, ties aštriomis briaunomis ir t. t. Saugokite, kad keičiamasis įrankis neatšoktų nuo ruošinio ir neįstrigtų.** Besisukantis keičiamasis įrankis paprastai stringa apdirbant kampus, aštrias briaunas arba nuo jų atšokęs. Dėl to prietaisas gali tapti nebevaldomas arba gali kilti atatranka.
- ▶ **Nenaudokite dantytų pjūklelių.** Dėl tokių keičiamųjų įrankių dažnai atsiranda atatrankos jėga arba elektrinis įrankis tampa nebevaldomas.
- ▶ **Keičiamąjį įrankį visada nukreipkite į medžiagą tą pačią kryptimi, kuria ašmenys išeina iš medžiagos (tai ta pati kryptis, kuria išmetamos drožlės).** Nukreipus elektrinį įrankį netinkama kryptimi, keičiamojo įrankio ašmenys iššoka iš ruošinio ir traukia elektrinį įrankį pastūmos kryptimi.
- ▶ **Kai naudojate frezavimo antgalius, pjovimo diskus, dideliu greičiu veikiančius frezavimo įrankius ar kietmetalio frezas, visada saugiai priveržkite ruošinį.** Jei šie keičiamieji įrankiai šiek tiek persikreipia griovelyje, jie gali užstrigti ir sukelti atatranką. Kai pjovimo diskas užstringa, paprastai jis sulūžta.



Kai užstringa frezavimo antgaliai, dideliu greičiu veikiančios frezavimo įrankiai ar kietmetalio frezos, naudojamas įrankis gali iššokti iš griovelio, ir Jūs nebegalėsite valdyti elektrinio įrankio.

### Specialūs saugos nurodymai vykdantiems šlifavimo ir pjovimo darbus

- ▶ **Naudokite tik Jūsų elektriniam įrankiui leidžiamus naudoti šlifavimo galvutes ir tik rekomenduojamam naudojimui būdai. Pavyzdys: niekada nešlifukite pjovimo disko šoniniu paviršiumi.** Pjovimo diskai skirti medžiagai perpjauti disko briauna. Šoninės jėgos tokį šlifavimo diską gali sulaužyti.
- ▶ **Kūginėms ir tiesioms šlifavimo galvutėms su sriegiais naudokite tik tinkamo dydžio ir ilgio strypelius be pjovjos ant pagrindinio paviršiaus.** Tinkami koteliai sumažina lūžio galimybę.
- ▶ **Saugokite pjaustymo diską nuo užsiblokavimo arba per didelės spaudimo jėgos. Nepjaukite per giliai.** Perkrautas pjaustymo diskas gali deformuotis arba užsiblokuoti, gali atsirasti atatranks jėga arba diskas gali sulūžti.
- ▶ **Stenkitės, kad ranka nebūtų zonoje prieš besisukančią pjovimo diską ir už jo.** Jei ruošinyje pjovimo diską stumiate nuo savo rankos, atatranks atveju elektrinis įrankis kartu su besisukančiu disku gali būti išmestas Jūsų link.
- ▶ **Jei pjaustymo diskas stringa arba nutraukiate darbą, išjunkite prietaisą ir ramiai palaukite, kol diskas visiškai sustos. Niekada nebandykite dar tebesisukančio pjaustymo disko ištraukti iš pjūvio, nes galite sukelti atatrangą.** Nustatykite ir pašalinkite disko strigimo priežastis.
- ▶ **Elektrinio įrankio vėl neįjunkite tol, kol diskas yra ruošinyje. Leiskite pjaustymo diskui pasiekti darbinį sukimosi greitį ir tik tada atsargiai tęskite pjovimą.** Priešingu atveju diskas gali užsikabinti, iššokti iš ruošinio ar sukelti atatrangą.
- ▶ **Plokštes arba didelių matmenų ruošinius atremkite, kad, pjaustymo diskui užstrigus, sumažėtų atatranks tikimybė.** Dideli ruošiniai dėl savo svorio gali įlįnti. Ruošinį reikia paremti iš abiejų disko pusių, tiek ties pjovimo plyšiu, tiek ir kraštuose.
- ▶ **Būkite ypač atsargūs vykdydami įgilinamuosius pjūvius esančiose sienose arba kitose blogai matomose vietose.** Pjaustymo diskai gali įsijauti į dujų ar vandentiekio vamzdžius, elektros laidus ar kitus objektus, kurie gali sukelti atatrangą.

### Papildomi saugos nurodymai, dirbant su vieliniais šepčiais

- ▶ **Atkreipkite dėmesį, kad net įprastai naudojamas vielinis šepetys praranda vielutes. Per didele spaudimo jėga neperkraudite šepčio vielos.** Išsviestos vielutės gali lengvai prasiskverbti per plonus drabužius ir įsmigti į Jūsų odą.
- ▶ **Prieš pradėdami dirbti su šepčiais, leiskite jiems vieną minutę sukėti darbinio greičiu. Stebėkite, kad tuo metu nei vienas asmuo nestovėtų prieš šepetį arba vienoje linijoje su šepčiu.** Įsidirbimo metu palaidos vielutės gali lėkti į šalį.
- ▶ **Besisukančių vielinį šepetį nukreipkite nuo savęs.** Dirbant su šiais šepčiais, smulkios dalelės ir mažos vielutės gali dideliu greičiu skrieti į šalį ir į prasiskverbti pro odą.

## 2.3 Su akumuliatoriais elgtis atsargiai

- ▶ Laikykitės Li-Ion akumuliatorių specialiųjų transportavimo, sandėliavimo ir naudojimo direktyvų.
- ▶ Akumuliatorius saugokite nuo aukštos temperatūros, tiesioginių saulės spindulių ir ugnies.
- ▶ Akumuliatorius draudžiama ardyti, spausti, kaitinti iki aukštesnės kaip 80 °C temperatūros arba deginti.
- ▶ Nenaudokite ir neįkraukite akumuliatorių, kurie buvo patyrę smūgi, kritę iš didesnio kaip vieno metro aukščio ar yra kitokiu būdu pažeisti. Tokiu atveju visada kreipkitės į savo **Hilti techninės priežiūros centrą**.
- ▶ Jeigu į rankas paimtas akumuliatorius atrodo karštas, jis gali būti sugedęs. Prietaisą padėkite nedegioje vietoje toliau nuo degių medžiagų ir, nuolat stebėdami, leiskite atvėsti. Tokiu atveju visada kreipkitės į savo **Hilti techninės priežiūros centrą**.

## 2.4 Papildomi saugos nurodymai

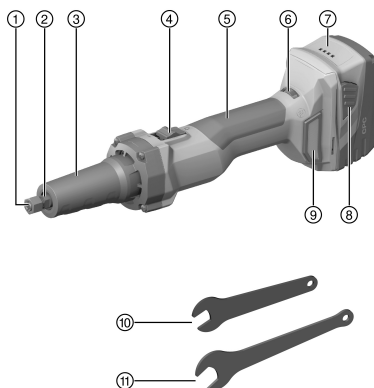
- ▶ Naudodami prietaisą laikykitės taip, kad šlifavimo dulkės, kibirkštys ir galimos keičiamojo įrankio ar ruošinio nuolaužos nepatektų ant Jūsų kūno.
- ▶ Keičiamajam įrankiui pakeisti naudokite tik gerai tinkantį ir nepažeistą raktą.
- ▶ Keičiamieji įrankiai turi sukelti nepriekaištingai. Nenaudokite ne apvalių keičiamųjų įrankių.
- ▶ Prietaisui veikiant, nešalinkite drožlių arba nuolaužų. Prietaisą išjunkite.
- ▶ Prietaisą įjunkite tik darbo vietoje.
- ▶ Keisdami įrankį, mūvėkite apsaugines pirštines, nes naudojamas keičiamasis įrankis ir įrankio griebtuvas įkaista.
- ▶ Dirbdami darykite pertraukas ir atpalaidavimo pratimus pirštams, kad pagerėtų kraujotaka. Dirbant ilgesnį laiką, vibracijos gali sukelti pirštų, plaštakos ar riešo sąnario kraujagyslių ar nervų sistemos pažeidimus.



- ▶ Pasirūpinkite, kad darbo vieta būtų gerai vėdinama, ir, jeigu reikia, užsidėkite atitinkamoms dulkėms skirtą kvėpavimo takus saugančią kaukę.
- ▶ Prieš įstatydami nuvalykite keičiamojo įrankio kotą. Įsitinkinkite, kad keičiamojo įrankio kotas visada yra ne mažiau kaip 20 mm įtvirtintas suspaudžiamojo įvorėje. Įstatę įrankį visada tvirtai priveržkite suveržiamąją veržlę. Nepakankamai įtvirtinti keičiamieji įrankiai darbo metu gali atsilaisvinti ir būti išsviesti.
- ▶ Naudokite tik tokius keičiamuosius įrankius, kurie atitinka duomenis skyriuje „Techniniai duomenys“.

### 3 Aprašymas

#### 3.1 Prietaiso vaizdas



- ① Suveržiamoji veržlė su suspaudžiamąja įvore
- ② Velenas
- ③ Kaklelis / priekinė rankena
- ④ Fiksuojamas jungiklis
- ⑤ Rankena
- ⑥ Sukimosi greičio reguliavimo ratukas
- ⑦ Akumuliatorius
- ⑧ Akumuliatoriaus atblokovimo mygtukas
- ⑨ Dulkių filtras
- ⑩ Mažasis raktas, 12 mm
- ⑪ Didysis raktas, 17 mm

#### 3.2 Naudojimas pagal paskirtį

Aprašytasis prietaisas yra tiesinis šlifuoכלis. Jis skirtas metalui apdirbti. Jis skirtas šlifuoti ir pjauti, dirbti su vieliniais šepečiais, poliruoti ir frezuoti.

Naudokite keičiamuosius įrankius tik su tokio skersmens koteliu, kuris atitinka įmontuotą suspaudžiamąją įvorę. Atkreipkite dėmesį į duomenis skyriuje „Techniniai duomenys“.

Prietaisas tinka naudoti tik sausuoju būdu, be vandens.

- Su šiuo prietaisu naudokite tik B 22 serijos **Hilti** ličio jonų akumuliatorius.
- Šiems akumuliatoriams įkrauti naudokite tik **Hilti** aprobuotus kroviklius. Daugiau informacijos rasite savo **Hilti Store** arba tinklalapyje [www.hilti.group](http://www.hilti.group)

#### 3.3 Tiekiamas komplektas

Tiesinis šlifuoכלis, 2 raktai, naudojimo instrukcija

Daugiau Jūsų turimam prietaisui skirtų sisteminių reikmenų rasite vietinėje **Hilti Store** arba tinklalapyje [www.hilti.group](http://www.hilti.group)

#### 3.4 Ličio jonų akumuliatoriaus įkrovos lygio indikatorius

Ličio jonų akumuliatoriaus įkrovos lygis rodomas paspaudus vieną iš dviejų akumuliatoriaus atblokovimo mygtukų.

Būsena	Reikšmė
Šviečia 4 šviesos diodai.	Įkrovos lygis: nuo 75 iki 100 %
Šviečia 3 šviesos diodai.	Įkrovos lygis: nuo 50 iki 75 %
Šviečia 2 šviesos diodai.	Įkrovos lygis: nuo 25 iki 50 %
Šviečia 1 šviesos diodas.	Įkrovos lygis: nuo 10 iki 25 %
1 šviesos diodas mirksi.	Įkrovos lygis: < 10 %

Dirbant ir iškart po darbo įkrovos lygio įvertinti negalima. Mirksint akumuliatoriaus įkrovos lygio indikatorius šviesos diodams, laikykitės skyriuje „Pagalba sutrikus veikimui“ pateiktų nurodymų.



## 4 Techniniai duomenys

Svoris pagal „EPTA Procedure 01“ su akumulatoriumi B228.0		2,6 kg
Nominalusis sukimosi greitis		10 000 aps./min. ... 25 000 aps./min.
Keičiamojo įrankio reikalingas mažiausias sukimosi greitis		≥ 25 000 aps./min.
Keičiamojo įrankio darbinis skersmuo		≤ 55 mm
Keičiamojo įrankio koto skersmuo	Suspaudžiamoji įvorė 6 mm	6 mm
	Suspaudžiamoji įvorė 1/4 colio	1/4 in
Suklio rakto žiotys		12 mm
Suveržiamosios veržlės rakto žiotys		17 mm
Laikymo temperatūra		-20 °C ... 70 °C
Darbinė aplinkos temperatūra		-17 °C ... 60 °C

### 4.1 Informacija apie triukšmą ir vibracijos reikšmės pagal EN 62841

Šiuose nurodymuose pateiktos garso slėgio ir vibracijos reikšmės yra išmatuotos taikant standartizuotą matavimo metodą ir gali būti naudojami elektriniams įrankiams palyginti tarpusavyje. Jos taip pat tinka šių veiksmų poveikiui iš anksto įvertinti.

Nurodytieji duomenys yra susieti su pagrindinėmis šio elektrinio įrankio naudojimo sritimis. Jeigu elektrinis įrankis bus naudojamas kitaip, su skirtingais keičiamaisiais įrankiais arba bus nepakankamai techniškai prižiūrimas, šie duomenys gali skirtis nuo nurodytųjų. Tai gali gerokai padidinti šių veiksmų poveikį per visą darbo laikotarpį.

Norint tiksliai įvertinti poveikį, reikėtų įvertinti ir laiką, kai prietaisas yra išjungtas, arba, nors ir įjungtas, juo faktiškai nedirbama. Toks įvertinimas gali smarkiai sumažinti poveikio per visą darbo laikotarpį reikšmę.

Imkitės papildomų saugos priemonių, kad darbuotojas būtų apsaugotas nuo triukšmo ir / arba vibracijos poveikio, pavyzdžiui, reikalaukite tinkamos elektrinio įrankio ir keičiamųjų įrankių techninės priežiūros, pasirūpinkite, kad darbuotojų rankos visada būtų šiltos, užtikrinkite tinkamą darbo organizavimą.

#### Informacija apie triukšmą

Skleidžiamo garso slėgio lygis ( $L_{pA}$ )	76 dB(A)
Garso slėgio lygio paklaida ( $K_{pA}$ )	3 dB(A)
Garso galios lygis ( $L_{WA}$ )	87 dB(A)
Garso galios lygio paklaida ( $K_{WA}$ )	3 dB(A)

#### Informacija apie vibraciją

Vibracijos intensyvumas ( $a_h$ ), priklauso nuo keičiamojo įrankio skersmens)	< 25 mm	0,7 m/s <sup>2</sup>
	25 ... < 50 mm	15,9 m/s <sup>2</sup>
	50 ... 55 mm	22,2 m/s <sup>2</sup>
Paklaida (K)		1,5 m/s <sup>2</sup>

### 4.2 Akumulatorius

Akumulatoriaus darbinė įtampa	21,6 V
Darbinė aplinkos temperatūra	-17 °C ... 60 °C
Laikymo temperatūra	-20 °C ... 40 °C
Akumulatoriaus temperatūra, kai pradeda įkrauti	-10 °C ... 45 °C



## 5 Pasiruošimas darbui

### **ATSARGIAI**

#### **Sužalojimo pavojus dėl atsitiktinio paleidimo!**

- ▶ Prieš įdėdami akumuliatorių, įsitikinkite, kad atitinkamas prietaisas yra išjungtas.
- ▶ Prieš nustatydami prietaisą ar keisdami reikmenis, išimkite akumuliatorių.

Laikykitės šioje instrukcijoje ir ant prietaiso pateiktų saugos nurodymų ir įspėjimų.

### **5.1 Akumulatoriaus įkrovimas**

1. Prieš pradėdami krauti, perskaitykite kroviklio naudojimo instrukciją.
2. Atkreipkite dėmesį, kad akumulatoriaus ir kroviklio kontaktai turi būti švarūs ir sausi.
3. Akumuliatorių įkraukite leistinu krovikliu.

### **5.2 Akumulatoriaus įdėjimas**

#### **ATSARGIAI**

#### **Sužalojimo pavojus dėl trumpojo jungimo arba krintančio akumulatoriaus!**

- ▶ Prieš įdėdami akumuliatorių, įsitikinkite, kad jo ir prietaiso kontaktuose nėra pašalinių daiktų.
- ▶ Visada įsitikinkite, kad akumulatorius tinkamai užsifiksavo.

1. Prieš pirmąjį kartą naudodami, akumuliatorių pilnai įkraukite.
2. Akumuliatorių dėkite į prietaisą esantį laikiklį, kol girdimai užsifiksuos.
3. Patikrinkite, ar akumulatorius gerai užfiksuotas prietaise.

### **5.3 Akumulatoriaus išėmimas**

1. Spauskite akumulatoriaus atfiksavimo mygtukus.
2. Akumuliatorių išimkite iš prietaiso.

### **5.4 Keičiamojo įrankio keitimas**

#### **DĖMESIO**

**Galima žala** tuščios suspaudžiamos įvorės priveržiant suveržiamąją veržlę.

- ▶ Suveržiamosios veržlės niekada nepriveržkite tvirtai, jei nėra įstatyto keičiamojo įrankio

#### **ATSARGIAI**

**Sužalojimo ir nuostolių pavojus** dėl netinkamai besisukančio arba pažeisto įrankio.

- ▶ Nenaudokite pažeistų keičiamųjų įrankių. Prieš darbo pradžią patikrinkite, ar tiesinis šlifukuolis veiktamas ne vibruoja.

1. Mažuoju raktu laikykite suspaudžiamąją įvorę ir didžiuoju raktu atidarykite suveržiamąją veržlę.
2. Keičiamąjį įrankį ištraukite iš suspaudžiamosios įvorės.
3. Kaip galite giliau įstatykite keičiamojo įrankio kotą į suspaudžiamąją įvorę.
4. Matomas koto dydis  $L_3$  turi neviršyti 10 mm. Keičiamojo įrankio kotas visada yra ne mažiau kaip 20 mm įtvirtintas suspaudžiamojoje įvorėje.
5. Mažuoju raktu laikykite suspaudžiamąją įvorę ir didžiuoju raktu priveržkite suveržiamąją veržlę.
6. Patikrinkite, ar keičiamasis įrankis laikosi tvirtai.

## 6 Naudojimas

Laikykitės šioje instrukcijoje ir ant prietaiso pateiktų saugos nurodymų ir įspėjimų.

### **6.1 Įjungimas**

1. Spauskite galinę jungiklio dalį.
2. Pastumkite jungiklį į priekį.
  - ▶ Variklis sukasi.





3. Jungiklį užblokuokite.

## 6.2 Darbas

1. Prietaisą įjunkite. → psl. 44
2. Sukimosi greičio reguliavimo ratuku nustatykite sukimosi greitį, kuris tinka keičiamajam įrankiui ir numatytam naudojimui tikslui.
3. Visada dirbkite tik su numatytu keičiamojo įrankio darbinio paviršiumi. Pavyzdys: niekada nešlifukokite pjovimo disko šoniniu paviršiumi. Pjovimo diskai skirti medžiagai perpjauti disko briauna.
4. Užfiksukite ruošinį, kurį reikia apdirbti. Niekada nelaikykite mažo ruošinio vienoje rankoje, o tiesinio šlifuko kitoje, kai jį naudojate. Tiesinį šlifukoklį visada laikykite tvirtai, abiem rankomis paėmę už tam skirtų rankenų.
5. Tiesinį šlifukoklį pridėkite prie ruošinio. Dirbkite saikingai spausdami, keičiamojo įrankio nespauskite į medžiagą.

## 6.3 Išjungimas

- ▶ Spauskite galinę jungiklio dalį.
  - ▶ Jungiklis peršoka į išjungimo padėtį, ir variklis sustoja.

## 7 Priežiūra ir einamasis remontas

### ĮSPĖJIMAS

#### Sužalojimo pavojus kai įstatytas akumulatorius !

- ▶ Prieš pradėdami bet kokius techninės priežiūros ir einamojo remonto darbus, akumuliatorių iš prietaiso išimkite!

#### Prietaiso priežiūra

- Atsargiai pašalinti prilipusius nešvarumus.
- Vėdinimo plyšius atsargiai išvalyti sausu šepetėliu.
- Korpusą valyti tik šiek tiek sudrėkinta šluoste. Nenaudoti silikono turinčių priežiūros priemonių, nes jos gali pakenkti plastikinėms detalėms.

#### Ličio jonų akumuliatorių priežiūra

- Akumuliatorių saugoti nuo alyvos ir tirštojo tepalo.
- Korpusą valyti tik šiek tiek sudrėkinta šluoste. Nenaudoti silikono turinčių priežiūros priemonių, nes jos gali pakenkti plastikinėms detalėms.
- Saugoti, kad į vidų neprasiskverbtų drėgmė.

#### Einamasis remontas

- Reguliariai tikrinti, ar matomos dalys nėra pažeistos ir ar valdymo elementai veikia nepriekaištingai.
- Pažeisto ir / arba turinčio veikimo sutrikimų prietaiso nenaudoti. Nedelsiant kreiptis į **Hilti** techninės priežiūros centrą dėl remonto.
- Baigus techninės priežiūros ir einamojo remonto darbus, sumontuoti visus apsauginius įtaisus ir patikrinti jų veikimą.



Kad eksploatacija būtų patikima, naudokite tik originalias atsargines dalis ir eksploatacines medžiagas. Mūsų aprobuotas atsargines dalis, eksploatacines medžiagas ir reikmenis savo prietaisui rasite vietinėje **Hilti Store** arba tinklalapyje [www.hilti.group](http://www.hilti.group).

## 7.1 Suveržiamosios veržlės keitimas

### DĖMESIO

**Galima žala** tuščios suspaudžiamosios įvorės priveržiant suveržiamąją veržlę.

- ▶ Suveržiamosios veržlės niekada nepriveržkite tvirtai, jei nėra įstatyto keičiamojo įrankio

1. Mažuoju raktu laikykite suklij ir didžiuoju raktu atidarykite suveržiamąją veržlę.
2. Jei reikia, keičiamąjį įrankį ištraukite iš suspaudžiamosios įvorės.
3. Suveržiamąją veržlę su suspaudžiamąja įvore visiškai atsukite nuo tiesinio šlifuko.
4. Ant suklio uždėkite naują suveržiamąją veržlę su suspaudžiamąja įvore ir laisvai priveržkite suveržiamąją veržlę ant suklio. Suveržiamosios veržlės nepriveržkite tvirtai.



## 8 Akumuliatorių prietaisų transportavimas ir sandėliavimas

### Transportavimas

#### ATSAUGIAI

#### Atsitiktinis įjungimas transportuojant !

- ▶ Savo prietaisus visada transportuokite tik išėmę akumulatorius!
- ▶ Išimti akumulatorius.
- ▶ Akumuliatorių niekada netransportuoti sumetus į krūvą su kitais daiktais.
- ▶ Prieš naudojant po ilgesnio transportavimo, patikrinti, ar prietaisais, keičiamieji įrankiai ir akumulatoriai nėra pažeisti.

### Sandėliavimas

#### ATSAUGIAI

#### Atsitiktinis pažeidimas dėl sugedusių ar išsiliejusių akumuliatorių !

- ▶ Savo prietaisus visada laikykite tik išėmę akumulatorius!
- ▶ Prietaisą, keičiamuosius įrankius ir akumulatorius pagal galimybes laikyti sausoje ir vėsioje vietoje.
- ▶ Akumuliatorių jokiū būdu nelaikyti saulės atokaitoje, ant šildymo prietaisų ar už automobilio lango stiklo.
- ▶ Prietaisą, keičiamuosius įrankius ir akumulatorius laikyti vaikams bei neigaliojiems asmenims neprieinamoje vietoje.
- ▶ Prieš naudojant po ilgesnio sandėliavimo, patikrinti, ar prietaisais, keičiamieji įrankiai ir akumulatoriai nėra pažeisti.

## 9 Pagalba sutrikus veikimui

Pasitaikius sutrikimų, kurie nėra aprašyti šioje lentelėje arba kurių negalite pašalinti patys, kreipkitės į **Hilti** techninės priežiūros centrą.

Sutrikimas	Galima priežastis	Sprendimas
Akumulatorius išsikrauna greičiau negu įprastai.	Labai žema aplinkos temperatūra.	▶ Leiskite akumulatoriui lėtai įšilti iki patalpos temperatūros.
Akumulatorius neužsifiksuoja girdimu spragtelėjimu.	Užteršti akumulatoriaus fiksatoriai.	▶ Fiksatorius išvalykite ir akumuliatorių įdėkite iš naujo.
1 šviesos diodas mirksi. Prietaisas neveikia.	Akumulatorius yra išsikrovęs.	▶ Akumuliatorių pakeiskite, o išsikrovusį – įkraukite.
	Akumulatorius yra per šaltas arba per karštas.	▶ Leiskite akumulatoriui lėtai įšilti arba atvėsti iki patalpos temperatūros.
Mirksi visi 4 šviesos diodai. Prietaisas neveikia.	Prietaisas perkrautas.	▶ Prietaisą išjunkite ir vėl įjunkite. Tada leiskite prietaisui maždaug 30 sekundžių veikti tuščiaja eiga.
Prietaisas arba akumulatorius stipriai kaista.	Elektrinis gedimas	▶ Prietaisą nedelsdami išjunkite, išimkite akumuliatorių ir stebėkite jį, leiskite jam atvėsti ir susisieki su <b>Hilti</b> techninės priežiūros centru.
Prietaisui nepakanka galios.	Įdėtas per mažos talpos akumulatorius.	▶ Naudokite pakankamos talpos akumuliatorių.
Neveikia variklio stabdymo funkcija.	Akumulatorius yra išsikrovęs.	▶ Akumuliatorių pakeiskite, o išsikrovusį – įkraukite.
	Prietaisas trumpam perkrautas.	▶ Prietaisą išjunkite ir vėl įjunkite.
Prietaisas stipriai vibruoja.	Keičiamasis įrankis nesuderinamas su prietaisu.	▶ Naudokite tik tokius keičiamuosius įrankius, kurie atitinka duomenis skyriuje „Techniniai duomenys“.
	Keičiamasis įrankis pažeistas, ne apvalus arba ne subalansuotas.	▶ Naudokite tik nepriekaištingos būklės keičiamuosius įrankius.



Sutrikimas	Galima priežastis	Sprendimas
Prietaisas stipriai vibruoja.	Prietaisas yra sugedęs	► Jei keičiamąjį įrankį galima atmesti kaip priežastį, kreipkitės į <b>Hilti</b> techninės priežiūros centrą.

## 10 Utilizavimas

**Hilti** prietaisai yra pagaminti iš medžiagų, kurias galima naudoti antrą kartą. Būtina antrinio perdirbimo sąlyga yra tinkamas medžiagų išrūšiavimas. Daugelyje šalių **Hilti** priims Jūsų nebenaudojamą prietaisą perdirbti. Apie tai galite pasiteirauti artimiausiam **Hilti** techninės priežiūros centre arba savo prekybos konsultantui.

### Akumuliatorių utilizavimas

Dėl netinkamo akumuliatorių utilizavimo į aplinką pasklidusios dujos ar ištekėję skysčiai gali kelti grėsmę sveikatai.

- Pažeistų akumuliatorių nesiųskite paštu ir nepervežkite!
- Kad būtų išvengta trumpojo jungimo, jungtis uždenkite elektrai nelaidžia medžiaga.
- Akumuliatorius utilizuokite taip, kad jie negalėtų patekti į vaikų rankas.
- Akumuliatorių pristatykite utilizuoti į savo **Hilti Store** arba kreipkitės į vietinę kompetentingą utilizavimo įmonę.



- Elektrinių įrankių, elektroninių prietaisų ir akumuliatorių neišmeskite į buitinius šiukšlynus!

## 11 RoHS (direktyva dėl pavojingų medžiagų naudojimo ribojimo)

Pavojingų medžiagų lentelę rasite spausdami šią nuorodą: [qr.hilti.com/r11229136](http://qr.hilti.com/r11229136).

Nuorodą į RoHS lentelę rasite kaip QR kodą šios instrukcijos gale.

## 12 Gamintojo teikiama garantija

- Kilus klausimų dėl garantijos sąlygų, kreipkitės į vietinį **Hilti** partnerį.

# Originální návod k obsluze

## 1 Údaje k dokumentaci

### 1.1 O této dokumentaci

- Před uvedením do provozu si přečtete tuto dokumentaci. Je to předpoklad pro bezpečnou práci a bezproblémové zacházení.
- Dodržujte bezpečnostní a varovné pokyny uvedené v této dokumentaci a na výrobku.
- Návod k obsluze mějte uložený vždy u výrobku a dalším osobám předávejte výrobek jen s tímto návodem.

### 1.2 Vysvětlení značek

#### 1.2.1 Varovná upozornění

Varovná upozornění varují před nebezpečím při zacházení s výrobkem. Byla použita následující signální slova:



**NEBEZPEČÍ**

**NEBEZPEČÍ!**

- Používá se k upozornění na bezprostřední nebezpečí, které by mohlo vést k těžkému poranění nebo k smrti.



**⚠ VÝSTRAHA**

**VÝSTRAHA !**

- ▶ Používá se k upozornění na potenciální nebezpečí, které může vést k těžkým poraněním nebo k smrti.

**⚠ POZOR**

**POZOR !**

- ▶ Používá se k upozornění na potenciálně nebezpečnou situaci, která by mohla vést k lehkým poraněním nebo k věcným škodám.

**1.2.2 Symboly v dokumentaci**

V této dokumentaci byly použity následující symboly:

	Před použitím si přečtěte návod k obsluze.
	Pokyny k používání a ostatní užitečné informace
	Zacházení s recyklovatelnými materiály
	Elektrické nářadí a akumulátory nevyhazujte do smíšeného odpadu.

**1.2.3 Symboly na obrázcích**

Na obrázcích jsou použity následující symboly:

	Tato čísla odkazují na příslušný obrázek na začátku tohoto návodu.
	Číslování udává pořadí pracovních kroků na obrázku a může se lišit od pracovních kroků v textu.
	Čísla pozic jsou uvedena na obrázku <b>Přehled</b> a odkazují na čísla z legendy v části <b>Přehled výrobku</b> .
	Tato značka znamená, že byste měli manipulaci s výrobkem věnovat zvláštní pozornost.

**1.3 Symboly v závislosti na výrobku**

**1.3.1 Symboly na výrobku**

Na výrobku mohou být použity následující symboly:

	Přístroj podporuje NFC technologii, která je kompatibilní se systémy iOS a Android.
	Použitá typová řada lithium-iontového akumulátoru <b>HilTi</b> . Řiďte se pokyny v kapitole <b>Použití v souladu s určeným účelem</b> .
Li-Ion	Lithium-iontový akumulátor
	Akumulátor nikdy nepoužívejte jako úderové nářadí.
	Dbejte na to, aby akumulátor nespadl. Nepoužívejte akumulátor, který byl vystavený nárazu nebo je jinak poškozený.
	Stejnosměrný proud
	Noste ochranné brýle!
n	Jmenovité otáčky
/min	Otáčky za minutu
RPM	Otáčky za minutu



Ø Průměr

#### 1.4 Informace o výrobku

Výrobky jsou určeny pro profesionální uživatele a smí je obsluhovat, ošetřovat a provádět jejich údržbu pouze autorizovaný a instruovaný personál. Tento personál musí být speciálně informován o vyskytujících se nebezpečích, s nimiž by se mohl setkat. Výrobek a jeho pomůcky mohou být nebezpečné, pokud s nimi nesprávně zachází nevyškolený personál nebo pokud se nepoužívají v souladu s určeným účelem.

Typové označení a sériové číslo jsou uvedeny na typovém štítku.

- ▶ Poznamenejte si sériové číslo do následující tabulky. Údaje výrobku budete potřebovat při dotazech adresovaných našemu zastoupení nebo servisu.

##### Údaje o výrobku

Akumulátorová přímá bruska	GDG 6-A22
Generace	01
Sériové číslo	

#### 1.5 Prohlášení o shodě

Prohlašujeme na výhradní zodpovědnost, že zde popsaný výrobek je ve shodě s platnými směrniciemi a normami. Kopii prohlášení o shodě najdete na konci této dokumentace.

Technické dokumentace jsou uloženy zde:

Hilti Entwicklungsgesellschaft mbH | Zulassung Geräte | Hiltistraße 6 | 86916 Kaufering, DE

## 2 Bezpečnost

### 2.1 Všeobecné bezpečnostní pokyny pro elektrické nářadí

**⚠ VAROVÁNÍ** Přečtěte si všechny bezpečnostní pokyny, instrukce, vyobrazení a technické údaje, které patří k tomuto elektrickému nářadí. Nedbalost při dodržování následujících instrukcí může mít za následek úraz elektrickým proudem, požár a/nebo těžká poranění.

**Všechny bezpečnostní pokyny a instrukce uschovejte pro budoucí potřebu.**

Pojem „elektrické nářadí“, používaný v bezpečnostních pokynech, se vztahuje na elektrické nářadí napájené ze sítě (se síťovým kabelem) nebo na elektrické nářadí napájené z akumulátoru (bez síťového kabelu).

#### Bezpečnost pracoviště

- ▶ **Pracoviště musí být čisté a dobře osvětlené.** Neopárádek nebo neosvětlená místa mohou vést k úrazům.
- ▶ **S elektrickým nářadím nepracujte v prostředí s nebezpečím výbuchu, kde se nacházejí hořlavé kapaliny, plyny nebo prach.** Elektrické nářadí jiskří; od těchto jisker se mohou prach nebo páry vznítit.
- ▶ **Při práci s elektrickým nářadím zabraňte přístupu dětem a jiným osobám na pracoviště.** Rozptylování pozornosti by mohlo způsobit ztrátu kontroly nad nářadím.

#### Elektrická bezpečnost

- ▶ **Síťová zástrčka elektrického nářadí musí odpovídat zásuvce. Zástrčka nesmí být žádným způsobem upravována. U elektrického nářadí s ochranným uzemněním nepoužívejte žádné adaptéry.** Neupravené zástrčky a odpovídající zásuvky snižují riziko úrazu elektrickým proudem.
- ▶ **Nedotýkejte se uzemněných povrchů, např. trubek, topení, sporáků a chladniček.** Při tělesném kontaktu s uzemněním hrozí zvýšené riziko úrazu elektrickým proudem.
- ▶ **Elektrické nářadí chraňte před deštěm a vlhkem.** Vniknutí vody do elektrického nářadí zvyšuje nebezpečí úrazu elektrickým proudem.
- ▶ **Síťový kabel použijte jen k tomu účelu, pro který je určený. Nepoužívejte ho zejména k nošení či zavěšování elektrického nářadí ani k vytažování zástrčky ze zásuvky. Síťový kabel chraňte před horkem, olejem, ostrými hranami a pohyblivými díly.** Poškozené nebo zamotané síťové kabely zvyšují riziko úrazu elektrickým proudem.
- ▶ **Pokud pracujete s elektrickým nářadím venku, používejte pouze takové prodlužovací kabely, které jsou vhodné i pro venkovní použití.** Použití prodlužovacího kabelu, který je vhodný pro venkovní použití, snižuje riziko úrazu elektrickým proudem.
- ▶ **Pokud se nelze vyvarovat provozu elektrického nářadí ve vlhkém prostředí, použijte proudový chránič.** Použití proudového chrániče snižuje riziko úrazu elektrickým proudem.



**Bezpečnost osob**

- ▶ **Budte pozorní, dávejte pozor na to, co děláte, a přistupujte k práci s elektrickým nářadím rozumně. Elektrické nářadí nepoužívejte, když jste unavení nebo pod vlivem drog, alkoholu či léků.** Okamžitá nepozornost při práci s elektrickým nářadím může mít za následek vážná poranění.
- ▶ **Používejte osobní ochranné pomůcky a vždy noste ochranné brýle.** Používání osobních ochranných pomůcek, jako jsou dýchací maska proti prachu, bezpečnostní obuv s protiskluzovou podrážkou, ochranná helma nebo chrániče sluchu (podle druhu použití elektrického nářadí), snižuje riziko úrazu.
- ▶ **Zabraňte neúmyslnému uvedení do provozu. Před zapojením elektrického nářadí do sítě a/nebo vložením akumulátoru, před uchopením elektrického nářadí nebo jeho přenášením se ujistěte, že je vypnuté.** Držíte-li při přenášení elektrického nářadí prst na spínači nebo připojujete-li ho k síti zapnuté, může dojít k úrazu.
- ▶ **Dříve než elektrické nářadí zapnete, odstraňte seřizovací nástroje nebo klíč.** Nástroj nebo klíč ponechaný v otáčivém dílu nářadí může způsobit úraz.
- ▶ **Udržujte přirozené držení těla. Zajímte bezpečný postoj a udržujte rovnováhu.** Tak si v nečekaných situacích zachováte lepší kontrolu nad výrobkem.
- ▶ **Noste vhodné oblečení. Nenoste volný oděv ani šperky. Vlasy, oděv a rukavice mějte v bezpečné vzdálenosti od pohybujících se dílů.** Volný oděv, šperky a dlouhé vlasy jimi mohou být zachyceny.
- ▶ **Pokud lze namontovat odsávání prachu nebo zařízení na zachycení prachu, zkontrolujte, zda jsou připojená a používají se správně.** Použitím odsávání prachu můžete snížit ohrožení vlivem prachu.
- ▶ **Nenechte se ukolébat falešným pocitem bezpečí a nepřekračujte bezpečnostní pravidla pro elektrické nářadí, i když jste po mnohonásobném použití s elektrickým nářadím dobře seznámeni.** Nepozorné jednání může ve zlomcích sekundy způsobit těžká zranění.

**Použití elektrického nářadí a péče o něj**

- ▶ **Nářadí nepřetěžujte.** Pro danou práci použijte elektrické nářadí, které je pro ni určeno. S vhodným elektrickým nářadím budete v dané výkonové oblasti pracovat lépe a bezpečněji.
- ▶ **Nepoužívejte elektrické nářadí s vadným spínačem.** Elektrické nářadí, které nelze zapnout nebo vypnout, je nebezpečné a musí se opravit.
- ▶ **Dříve než budete nářadí seřizovat, měnit jeho příslušenství nebo než ho odložíte, vytáhněte síťovou zástrčku ze zásuvky a/nebo vyjměte odnímatelný akumulátor.** Toto preventivní opatření zabrání neúmyslnému zapnutí elektrického nářadí.
- ▶ **Nepoužívané elektrické nářadí uchovávejte mimo dosah dětí. Nedovoľte, aby nářadí používaly osoby, které s ním nejsou seznámené nebo si nepřečetly tyto pokyny.** Elektrické nářadí je nebezpečné, když ho používají nezkušené osoby.
- ▶ **O elektrické nářadí a příslušenství se pečlivě starajte. Kontrolujte, zda pohyblivé díly bezvadně fungují a nevážnou, zda díly nejsou prasklé nebo poškozené tak, že by byla narušena funkce elektrického nářadí. Poškozené díly nechte před použitím nářadí opravit.** Mnoho úrazů má na svědomí nedostatečná údržba elektrického nářadí.
- ▶ **Řezné nástroje udržujte ostré a čisté.** Pečlivě ošetřované řezné nástroje s ostrými řeznými hranami méně vážnou a dají se lehčeji vést.
- ▶ **Elektrické nářadí, příslušenství, nástroje atd. používejte v souladu s těmito instrukcemi. Respektujte přítomné pracovní podmínky a prováděnou činnost.** Použití elektrického nářadí k jinému účelu, než ke kterému je určeno, může být nebezpečné.
- ▶ **Rukojeti a plochy rukojetí udržujte suché, čisté a beze stop oleje a tuku.** Kluzké rukojeti a plochy rukojetí nedovolují bezpečné ovládání a kontrolu elektrického nářadí v nepředvídaných situacích.

**Použití akumulátorového přístroje a péče o něj**

- ▶ **Akumulátory nabíjejte pouze v nabíječkách, které jsou doporučené výrobcem.** Při použití jiných akumulátorů, než pro které je nabíječka určena, hrozí nebezpečí požáru.
- ▶ **Elektrické nářadí používejte pouze s akumulátory, které jsou pro ně určené.** Použití jiných akumulátorů může způsobit úraz nebo požár.
- ▶ **Nepoužívaný akumulátor neukládejte pohromadě s kancelářskými sponkami, mincemi, klíči, hřebíky, šrouby nebo s jinými drobnými kovovými předměty, které by mohly způsobit přemostění kontaktů.** Zkrat mezi kontakty akumulátoru může způsobit popáleniny nebo požár.
- ▶ **Při nesprávném použití může z akumulátoru vytéci kapalina. Zabraňte kontaktu s touto kapalinou. Při náhodném kontaktu opláchněte postižené místo vodou. Pokud kapalina vnikne do očí, vyhledejte také i lékaře.** Vytékající akumulátorová kapalina může způsobit podráždění pokožky nebo popáleniny.
- ▶ **Nepoužívejte poškozené nebo upravené akumulátory.** Poškozené nebo upravené akumulátory se mohou chovat nepředvídatelně a způsobit požár, výbuch nebo poranění.
- ▶ **Akumulátor nevystavujte ohni nebo vysokým teplotám.** Oheň nebo teploty přes 130 °C (265 °F) mohou způsobit explozi.



- ▶ **Dodržujte všechny instrukce pro nabíjení a nenabíjejte akumulátor nebo akumulátorové nářadí nikdy mimo rozsah teplot uvedený v návodu na obsluhu.** Špatné nabíjení nebo nabíjení mimo přípustný rozsah teplot může zničit akumulátor a zvýšit nebezpečí požáru.

#### Servis

- ▶ **Elektrické nářadí svěřujte do opravy pouze kvalifikovaným odborným pracovníkům, kteří mají k dispozici originální náhradní díly.** Tak zajistíte, že nářadí bude i po opravě bezpečné.
- ▶ **Nikdy neprovádějte údržbu poškozených akumulátorů.** Veškerou údržbu akumulátorů by měl provádět jen výrobce nebo autorizovaný zákaznický servis.

### 2.2 Obecné bezpečnostní pokyny pro broušení, broušení smirkovým papírem, práce s drátěným kartáčem, leštění, frézování a rozbrušování:

- ▶ **Toto elektrické nářadí se používá jako standardní bruska, bruska se smirkovým papírem, drátěný kartáč, leštička, frézka a rozbrušovací bruska.** Řiďte se všemi bezpečnostními pokyny, návody, obrázky a údaji, které jste obdrželi s nářadím. Nebudete-li se řídit následujícími pokyny, může dojít k úrazu elektrickým proudem, k požáru a/nebo k těžkému poranění.
- ▶ **Nepoužívejte příslušenství, které není výrobcem určené a schválené speciálně pro toto elektrické nářadí.** Samotná skutečnost, že příslušenství lze na nářadí upevnit, ještě nezaručuje jeho bezpečné používání.
- ▶ **Přípustné otáčky nástroje musí být alespoň tak vysoké, jako jsou maximální uváděné otáčky elektrického nářadí.** Příslušenství rotující rychleji, než jsou jeho přípustné otáčky, může prasknout a odletět.
- ▶ **Vnější průměr a tloušťka nástroje musí odpovídat rozměrovým údajům elektrického nářadí.** Nástroje, které nemají správné rozměry, nejsou pod dostatečnou kontrolou a ochranný kryt pro ně nemusí dobře fungovat.
- ▶ **Brusné kotouče, brusné válce a ostatní příslušenství musí na brusný hřidel nebo kleštinu elektrického nářadí přesně dosedat.** Nástroje, které přesně neodpovídají rozměrům upínání elektrického nářadí, se otáčejí nestejně, velmi silně vibrují a mohou způsobit ztrátu kontroly nad nářadím.
- ▶ **Kotouče, brusné válce, řezné nástroje nebo jiné příslušenství namontované na trn musí být zcela vloženy do kleštiny nebo upínacího pouzdra. „Přesah“, resp. volná část trnu mezi brusným nástrojem a kleštinou nebo upínacím pouzdem musí být minimální.** Není-li trn dostatečně upnutý nebo je brusný nástroj příliš vysunutý, může se nasazený nástroj uvolnit a vysokou rychlostí vymrštit.
- ▶ **Nepoužívejte poškozené nástroje.** Před každým použitím zkontrolujte nástroje, zda se na brusných kotoučích neodlupuje a netrhá brusivo, zda se na brusných válcích netvoří trhliny nebo nejsou silně opotřebené a zda se na drátěných kartáčích neuvolňují či nelámu drátky. Když elektrické nářadí nebo nástroj spadne, zkontrolujte, zda nedošlo k poškození, nebo použijte nepoškozený nástroj. Po kontrole a upnutí nástroje uchopte nářadí tak, aby nikdo, tedy ani vy, ani osoby, které se nacházejí v blízkosti, nebyl v rovině rotujícího nástroje, a nechte nářadí běžet po dobu jedné minuty na maximální otáčky. Poškozené nástroje většinou během této testovací doby prasknou.
- ▶ **Používejte osobní ochranné pomůcky.** Podle druhu práce používejte obličejový štít, chrániče očí nebo ochranné brýle. Tam, kde je to přiměřené, používejte respirátor, chrániče sluchu, ochranné rukavice nebo speciální zástěry, které zachytí malé brusné částice a částičky materiálu. Oči je nutno chránit před poletujícími částicemi, které vznikají při různých druzích práce. Protiprachová nebo respirační ochranná maska musí filtrovat prach, který při práci vzniká. Dlouhodobé působení silného hluku může způsobit ztrátu sluchu.
- ▶ **Dbejte na to, aby ostatní osoby byly od vašeho pracoviště v bezpečné vzdálenosti. Každý, kdo vstoupí na vaše pracoviště, musí mít na sobě osobní ochranné pomůcky.** Úlomky obrobku nebo prasklý nástroj mohou odletět velmi daleko a způsobit tak úraz i mimo samotné pracoviště.
- ▶ **Při práci, při níž nástroj může zasáhnout skryté elektrické rozvody, držte elektrické nářadí jen za izolované rukojeti.** Kontakt s vedením pod proudem může uvést pod napětí i kovové díly nářadí, což by mohlo způsobit úraz elektrickým proudem.
- ▶ **Elektrické nářadí držte při spuštění vždy pevně.** Při rozběhu na plné otáčky může reakční moment motoru způsobit protočení elektrického nářadí.
- ▶ **Pro upevnění obrobku použijte pokud možno svěrky. Nikdy nedržte malý obrobek v jedné ruce a používané elektrické nářadí v druhé.** Upnutím menších obrobků si uvolníte obě ruce pro lepší kontrolu elektrického nářadí. Kulaté obrobky, jako např. dřevěné kolíky, tyčový materiál nebo trubky, mají při rozbrušování sklon k protáčení, přičemž se může elektrické nářadí vzpříčit a vymrštit směrem k vám.
- ▶ **Elektrické nářadí nikdy neodkládejte, dokud se nástroj zcela nezastaví.** Rotující nástroj by mohl zavadit o odkládací plochu, přičemž byste mohli nad elektrickým nářadím ztratit kontrolu.



- ▶ **Po výměně nástrojů nebo změně nastavení na nářadí pevně utáhněte matici kleštiny, upínací pouzdro nebo jiné upevňovací prvky.** Volně upevňovací prvky se mohou nečekaně posunout a způsobit ztrátu kontroly nad nářadím; neupevněné, rotující komponenty jsou násilně vymrštny.
- ▶ **Při přenášení nenechávejte nikdy elektrické nářadí v chodu.** Rotující nástroj by mohl náhodně zachytit váš oděv a nástroj by vás mohl poranit.
- ▶ **Pravidelně čistěte ventilační štěrbinu elektrického nářadí.** Ventilátor motoru vtahuje prach do nářadí a tam může nahromadění velkého množství kovového prachu ohrozit elektrickou bezpečnost.
- ▶ **Elektrické nářadí nepoužívejte v blízkosti hořlavých materiálů.** Jiskření by mohlo tyto materiály zapálit.
- ▶ **Nepoužívejte nástroje, které vyžadují chladicí kapalinu.** Při chlazení vodou nebo jinými chladicími kapalinami by mohlo dojít k úrazu elektrickým proudem.

#### Zpětný ráz a příslušné bezpečnostní pokyny

Zpětný ráz je náhlá reakce v důsledku zachycení nebo zablokování rotujícího nástroje, jako je brusný kotouč, brusný talíř, drátěný kartáč atd. Zachycení nebo zablokování rotujícího nástroje vede k jeho okamžitému zastavení. Tím je nekontrolované elektrické nářadí vymrštno proti směru otáčení nástroje v místě zablokování.

Když se např. brusný kotouč v obrobku zasekne nebo zablokuje, může se hrana brusného kotouče, která je zanořená v obrobku, „kousnout“, a tím brusný kotouč vylomit nebo způsobit zpětný ráz. Brusný kotouč se pak pohybuje směrem k pracovníkovi, nebo od něho, podle směru otáčení kotouče v místě zablokování. Brusné kotouče mohou při tom také prasknout.

Zpětný ráz je důsledkem nesprávného nebo chybného použití elektrického nářadí. Lze mu zabránit vhodnými bezpečnostními opatřeními, popsány dále.

- ▶ **Elektrické nářadí držte v ruce pevně a stůjte tak, aby vaše tělo a paže dokázaly zachytit sílu případného zpětného rázu.** Obsluha může síly zpětného rázu zvládnout vhodnými bezpečnostními opatřeními.
- ▶ **Zvlášť opatrně pracujte v blízkosti rohů, ostrých hran atd. Nedopusťte, aby se nástroj od obrobku odrazil zpátky a vzpříčil se.** Rotující nástroj se v rozích, na ostrých hranách, nebo když se od obrobku odrazí, nakloní, a tím může uváznout. To může způsobit ztrátu kontroly nebo zpětný ráz.
- ▶ **Nepoužívejte ozubený pilový kotouč.** Takové nástroje často působí zpětný ráz nebo ztrátu kontroly nad elektrickým nářadím.
- ▶ **Nástroj zavádějte do materiálu vždy ve stejném směru, ve kterém řezná hrana materiál opouští (odpovídá stejnému směru, ve kterém jsou vyhazovány třísky).** Vedení nástroje ve špatném směru způsobí vylomení řezné hrany nástroje z obrobku, čímž je nástroj tažen tímto směrem posuvu.
- ▶ **Při použití rotačních pilníků, rozbrušovacích kotoučů, vysokorychlostních fréz nebo fréz z tvrdokovu vždy obrobek pevně upněte.** Již při nepatrném vzpříčení v drážce se tyto nástroje zaseknou a mohou způsobit zpětný ráz. Při zaseknutí se rozbrušovací kotouč obvykle zlomí. Při zaseknutí rotačních pilníků, vysokorychlostních fréz nebo fréz z tvrdokovu může nástroj z drážky vyskočit a způsobit ztrátu kontroly nad elektrickým nářadím.

#### Zvláštní bezpečnostní pokyny pro broušení a rozbrušování:

- ▶ **Používejte výhradně brusné nástroje schválené pro dané elektrické nářadí a jen pro doporučené možnosti použití. Příklad: Nebruste nikdy boční plochou rozbrušovacího kotouče.** Rozbrušovací kotouče jsou určeny pro úběr materiálu hranou kotouče. Bočním namáháním mohou tyto brusné nástroje prasknout.
- ▶ **Pro kónické a přímé brusné kolíky se závitem používejte pouze nepoškozené trny správné velikosti a délky bez podřezání na osazení.** Vhodné trny omezují možnost zlomení.
- ▶ **Zabraňte zablokování rozbrušovacího kotouče nebo příliš velkému přítlaku. Neprovádějte příliš hluboké řezy.** Přetěžování rozbrušovacího kotouče zvyšuje jeho namáhání a sklon k zaseknutí nebo k zablokování, a tím i možnost zpětného rázu nebo prasknutí brusného nástroje.
- ▶ **Nezasahujte rukou do oblastí před rotujícím rozbrušovacím kotoučem a za ním.** Když vedete rozbrušovací kotouč v obrobku směrem od své ruky, může se elektrické nářadí s rotujícím kotoučem v případě zpětného rázu vymrštnout přímo na vás.
- ▶ **Když rozbrušovací kotouč uvázne nebo když přerušíte práci, vypněte nářadí a držte ho v klidu, dokud se kotouč zcela nezastaví. Nikdy se nepokoušejte vytáhnout běžící rozbrušovací kotouč z řezu, mohlo by dojít k zpětnému rázu.** Zjistěte a odstraňte příčinu uváznutí nástroje.
- ▶ **Elektrické nářadí znovu nezapínejte, dokud je nástroj v řezu (v obrobku). Než budete v řezu opatrně pokračovat, vyčkejte, dokud rozbrušovací kotouč nedosáhne plných otáček.** Jinak se kotouč může zaseknout a vyskočit z obrobku nebo způsobit zpětný ráz.
- ▶ **Desky nebo velké obrobky vždy podepřete, aby se snížilo riziko zpětného rázu způsobeného uváznutím rozbrušovacího kotouče.** Velké obrobky se mohou vlastní hmotností prohnut. Obrobek musí být podepřen na obou stranách kotouče, a to nejen v blízkosti děličního řezu, ale i na okrajích.





- ▶ **Zvlášť opatrní buďte při provádění „zanořovacích řezů“ do stávajících stěn nebo v jiných oblastech, kde není vidět na druhou stranu řezu.** Zanořený rozbrušovací kotouč může při zařazení do plynových nebo vodovodních trubek, do elektrických rozvodů či do jiných objektů způsobit zpětný ráz.

#### **Doplňující bezpečnostní upozornění ohledně práce s drátěnými kartáči:**

- ▶ **Uvědomte si, že drátěný kartáč ztrácí drátky i při obvyklém používání. Nepřetěžujte jej proto ještě příliš silným přitlakem.** Odlétávající drátky mohou velmi snadno proniknout tenkým oděvem a/nebo pokožkou.
- ▶ **Před použitím nechte kartáče minimálně jednu minutu běžet s pracovní rychlostí. Dbejte na to, aby se během této doby žádná osoba nezdržovala před kartáčem nebo ve stejné rovině s ním.** Během doby rozběhu mohou odletovat volné kusy drátků.
- ▶ **Rotující drátěný kartáč směřujte od sebe.** Při práci s těmito kartáči mohou malé částice a drobné kusy drátků odletovat s vysokou rychlostí a zaseknout se do pokožky.

### **2.3 Pečlivé zacházení s akumulátorem a jeho používání**

- ▶ Dodržujte zvláštní směrnice pro přepravu, skladování a provoz lithium-iontových akumulátorů.
- ▶ Akumulátory chraňte před vysokými teplotami, přímým slunečním zářením a ohněm.
- ▶ Akumulátory se nesmějí rozebírat, lisovat, zahřívat nad 80 °C ani pálit.
- ▶ Nepoužívejte a nenabíjejte akumulátory, které byly vystaveny nárazu, které spadly z větší výšky než jeden metr nebo jsou jinak poškozené. V tom případě vždy kontaktujte **Hilti servis**.
- ▶ Pokud je akumulátor příliš horký na dotek, může být vadný. Postavte výrobek na nehořlavé místo v dostatečné vzdálenosti od hořlavých materiálů, kde ho lze sledovat, a nechte ho vychladnout. V tom případě vždy kontaktujte **Hilti servis**.

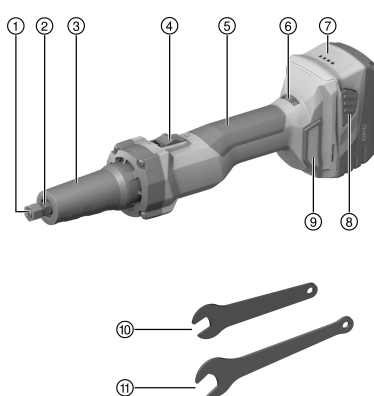
### **2.4 Dodatečné bezpečnostní pokyny**

- ▶ Při použití držte výrobek tak, aby brusný prach, odletující jiskry a případné úlomky z nástroje a obrobku nezasahovaly vaše tělo.
- ▶ Při výměně nástroje používejte pouze velikostí odpovídající a nepoškozené klíče.
- ▶ Nástroje musí mít bezvadný kruhový pohyb. Nepoužívejte nekruhové nástroje.
- ▶ Neodstraňujte žádné třísky nebo úlomky během chodu nářadí. Vypněte výrobek.
- ▶ Nářadí zapínejte teprve v pracovní oblasti.
- ▶ Při výměně nástroje používejte ochranné rukavice, protože nástroj a upínání se při použití zahřívají.
- ▶ Dělejte pracovní přestávky a relaxační cvičení s prsty pro jejich lepší prokrvení. Při delší práci může vlivem vibrací dojít k cévním poruchám nebo poruchám nervového systému v prstech, rukách nebo zápěstích.
- ▶ Zajistěte dobré větrání pracoviště a v případě potřeby noste respirátor vhodný pro příslušný prach.
- ▶ Před použitím vyčistěte stopku nástroje. Zajistěte, aby byla stopka nástroje upnuta vždy minimálně 20 mm v upínací kleštině. Po nasazení nástroje matici vždy pevně utáhněte. Nedostatečně upevněné nástroje se mohou během provozu uvolnit a vymrštit.
- ▶ Používejte pouze nástroje, které odpovídají specifikacím v technických údajích.



### 3 Popis

#### 3.1 Přehled výrobku



- ① Upínací matice s kleštinou
- ② Vřeteno
- ③ Krk / přední rukojeť
- ④ Aretovací vypínač
- ⑤ Rukojeť
- ⑥ Kolečko pro nastavení otáček
- ⑦ Akumulátor
- ⑧ Odjišťovací tlačítko akumulátoru
- ⑨ Prachový filtr
- ⑩ Malý klíč, 12 mm
- ⑪ Velký klíč, 17 mm

#### 3.2 Použití v souladu s určeným účelem

Popsaný výrobek je přímá bruska. Je určena k obrábění kovu. Je určena k broušení a rozbrušování, práci s drátěnými kartáči, leštění a frézování.

Používejte pouze nástroje s průměrem stopky, který odpovídá namontované upínací kleštině. Dodržujte pokyny v Technických údajích.

Výrobek je vhodný pouze pro suché používání bez vody.

- Pro tento výrobek používejte pouze lithium-iontové akumulátory **Hilti** typové řady B 22.
- Pro tyto akumulátory používejte pouze nabíječky schválené firmou **Hilti**. Další informace najdete v **Hilti Store** nebo na: [www.hilti.group](http://www.hilti.group).

#### 3.3 Obsah dodávky

Přímá bruska, 2 klíče, návod k obsluze

Další systémové produkty schválené pro váš výrobek najdete v **Hilti Store** nebo na: [www.hilti.group](http://www.hilti.group)

#### 3.4 Ukazatel stavu nabití lithium-iontového akumulátoru

Stav nabití lithium-iontového akumulátoru se zobrazí po klepnutí na jedno ze dvou odjišťovacích tlačítek akumulátoru.

Stav	Význam
Svítil 4 LED.	Stav nabití: 75 % až 100 %
Svítil 3 LED.	Stav nabití: 50 % až 75 %
Svítil 2 LED.	Stav nabití: 25 % až 50 %
Svítil 1 LED.	Stav nabití: 10 % až 25 %
1 LED bliká.	Stav nabití: < 10 %



Během práce a bezprostředně po jejím ukončení nelze stav nabití odečíst. Pokud blikají LED ukazatele stavu nabití akumulátoru, řiďte se pokyny v kapitole Pomoc při poruchách.

### 4 Technické údaje

Hmotnost podle EPTA Procedure 01 včetně akumulátoru B22/8.0	2,6 kg
Jmenovité otáčky	10 000 ot/min ... 25 000 ot/min
Požadované minimální otáčky nástroje	≥ 25 000 ot/min



<b>Pracovní průměr nástroje</b>		≤ 55 mm
<b>Průměr stopky nástroje</b>	<b>Upínací kleš- tina 6 mm</b>	6 mm
	<b>Upínací kleš- tina 1/4 palce</b>	1/4 in
<b>Rozpětí klíče vřetena</b>		12 mm
<b>Rozpětí klíče upínací matice</b>		17 mm
<b>Skladovací teplota</b>		-20 °C ... 70 °C
<b>Okolní teplota při provozu</b>		-17 °C ... 60 °C

#### 4.1 Informace o hlučnosti a hodnoty vibrací podle EN 62841

Hodnoty akustického tlaku a vibrací uvedené v těchto pokynech byly změřeny normovanou měřicí metodou a lze je použít k vzájemnému srovnání elektrického nářadí. Jsou vhodné také pro předběžný odhad působení. Uvedené údaje reprezentují hlavní použití elektrického nářadí. Při jiném způsobu použití, při použití s jinými nástroji nebo nedostatečné údržbě se údaje mohou lišit. Působení během celé pracovní doby se tím může výrazně zvýšit.

Pro přesný odhad působení je potřeba brát v úvahu také dobu, kdy je nářadí vypnuté nebo sice běží, ale nepoužívá se. Působení během celé pracovní doby se tím může výrazně snížit.

Stanovte doplňující bezpečnostní opatření na ochranu pracovníka před působením hluku a/nebo vibrací, například: údržbu elektrického nářadí a nástrojů, udržování rukou v teple, organizace pracovních postupů.

##### Informace o hlučnosti

<b>Hladina emitovaného akustického tlaku (<math>L_{pA}</math>)</b>	76 dB(A)
<b>Nejistota u hladiny akustického tlaku (<math>K_{pA}</math>)</b>	3 dB(A)
<b>Hladina akustického výkonu (<math>L_{WA}</math>)</b>	87 dB(A)
<b>Nejistota u hladiny akustického výkonu (<math>K_{WA}</math>)</b>	3 dB(A)

##### Informace o vibracích

<b>Hodnota emitovaných vibrací (<math>a_h</math>), v závislosti na průměru nástroje</b>	<b>&lt; 25 mm</b>	0,7 m/s <sup>2</sup>
	<b>25 až &lt; 50 mm</b>	15,9 m/s <sup>2</sup>
	<b>50 až 55 mm</b>	22,2 m/s <sup>2</sup>
<b>Nejistota (K)</b>		1,5 m/s <sup>2</sup>

#### 4.2 Akumulátor

<b>Provozní napětí akumulátoru</b>	21,6 V
<b>Okolní teplota při provozu</b>	-17 °C ... 60 °C
<b>Skladovací teplota</b>	-20 °C ... 40 °C
<b>Teplota akumulátoru na začátku nabíjení</b>	-10 °C ... 45 °C

## 5 Příprava práce

### POZOR

#### Nebezpečí poranění při neúmyslném spuštění!

- ▶ Před nasazením akumulátoru zkontrolujte, zda je příslušný výrobek vypnutý.
- ▶ Před nastavováním nářadí nebo výměnou příslušenství vyjměte akumulátor.

Dodržujte bezpečnostní pokyny a varovná upozornění v této dokumentaci a na výrobku.

#### 5.1 Nabíjení akumulátoru

1. Před nabíjením si přečtěte návod k obsluze nabíječky.
2. Dbejte na to, aby byly kontakty akumulátoru a nabíječky suché a čisté.
3. Akumulátor nabíjejte pomocí schválené nabíječky.



## 5.2 Nasazení akumulátoru

### POZOR

#### Nebezpečí poranění při zkratu nebo padajícím akumulátorem!

- ▶ Před nasazením akumulátoru zkontrolujte, zda nejsou na kontaktech akumulátoru a výrobku cizí tělesa.
- ▶ Zajistěte, aby akumulátor vždy správně zaskočil.

1. Před prvním uvedením do provozu akumulátor úplně nabijte.
2. Nasaďte akumulátor do držáku v nářadí tak, aby slyšitelně zaskočil.
3. Zkontrolujte, zda je akumulátor bezpečně usazený.

## 5.3 Vyjmutí akumulátoru

1. Stiskněte odjišťovací tlačítka akumulátoru.
2. Vytáhněte akumulátor z přístroje.

## 5.4 Výměna nástroje

### POZOR

#### Nebezpečí poškození prázdné upínací kleštiny utažením upínací matice.

- ▶ Není-li nasazen nástroj, upínací matici nikdy pevně nedotahujte.

### POZOR

#### Nebezpečí poranění a poškození nekruhově rotujícím nebo poškozeným nástrojem.

- ▶ Nepoužívejte poškozené nástroje. Před zahájením práce zkontrolujte, zda se přímá bruska pohybuje bez vibrací.

1. Malým klíčem přidržíte upínací kleštinu a velkým klíčem povolte upínací matici.
2. Vytáhněte nástroj z upínací kleštiny.
3. Stopku nářadí nasaďte co nejdále do upínací kleštiny.
4. Světlý rozměr stopky  $L_0$  smí být maximálně 10 mm. Stopka nástroje musí být nasazena minimálně 20 mm do upínací kleštiny.
5. Malým klíčem přidržíte upínací kleštinu a velkým klíčem utáhněte upínací matici.
6. Zkontrolujte bezpečné upevnění nástroje.

## 6 Obsluha

Dodržujte bezpečnostní pokyny a varovná upozornění v této dokumentaci a na výrobku.

### 6.1 Zapnutí

1. Stiskněte zadní část vypínače.
2. Posuňte vypínač dopředu.
  - ▶ Motor běží.
3. Vypínač zaaretujte.

### 6.2 Obsluha

1. Zapněte výrobek. → Strana 56
2. Pomocí kolečka nastavte příslušné otáčky, které jsou vhodné pro nástroj a plánovaný účel použití.
3. Vždy pracujte pouze s vyhrazenou pracovní plochou nástroje. Příklad: Nebruste nikdy boční plochou rozbrušovacího kotouče. Rozbrušovací kotouče jsou určeny pro úběr materiálu hranou kotouče.
4. Upevněte zpracováváný obrobek. Při práci nikdy nedržte malý obrobek v jedné ruce a přímou brusku v druhé. Přímou brusku držte vždy pevně oběma rukama za rukojeti, které jsou k tomu určeny.
5. Přiblížte přímou brusku k obrobku. Pracujte s mírným přitlakem a netlačte nástroj na materiál.

### 6.3 Vypnutí

- ▶ Stiskněte zadní část vypínače.
  - ▶ Vypínač přeskočí do vypnuté polohy a motor se zastaví.



## 7 Ošetřování a údržba

### VÝSTRAHA

#### Nebezpečí poranění při zasunutém akumulátoru !

- ▶ Před veškerým ošetřováním a údržbou vždy vyjměte akumulátor!

#### Péče o zařízení

- Opatrně odstraňte ulpívající nečistoty.
- Ventilací štěrby očistěte opatrně suchým kartáčem.
- Kryt čistěte pouze mírně navlhčeným hadrem. Nepoužívejte ošetřovací prostředky s obsahem silikonu, aby nedošlo k poškození plastových částí.

#### Péče o lithium-iontové akumulátory

- Akumulátor udržujte čistý a beze stop oleje a tuku.
- Kryt čistěte pouze mírně navlhčeným hadrem. Nepoužívejte ošetřovací prostředky s obsahem silikonu, aby nedošlo k poškození plastových částí.
- Zabraňte proniknutí vlhkosti.

#### Údržba

- Pravidelně kontrolujte všechny viditelné díly, zda nejsou poškozené, a ovládací prvky, zda správně fungují.
- V případě poškození a/nebo poruchy funkce výrobek nepoužívejte. Nechte ho ihned opravit v servisu **Hilti**.
- Po ošetřování a údržbě nasadte všechna ochranná zařízení a zkontrolujte funkci.



Pro bezpečný provoz používejte pouze originální náhradní díly a spotřební materiál. Námí schválené náhradní díly, spotřební materiál a příslušenství pro svůj výrobek najdete v **Hilti Store** nebo na: [www.hilti.group](http://www.hilti.group).

### 7.1 Výměna upínací matice

#### POZOR

#### Nebezpečí poškození prázdné upínací kleštiny utažením upínací matice.

- ▶ Není-li nasazen nástroj, upínací matici nikdy pevně nedotahujte.

1. Malým klíčem přidržíte vřeteno a velkým klíčem povolte upínací matici.
2. Vytáhněte případně nástroj z upínací kleštiny.
3. Upínací matici s kleštinou zcela odšroubujte z přímé brusky.
4. Nasadte novou upínací matici s upínací kleštinou na vřeteno a upínací matici volně našroubujte na vřeteno. Upínací matici nedotahujte.

## 8 Přeprava a skladování akumulátorového nářadí

### Přeprava

#### POZOR

#### Neúmyslné spuštění při přepravě !

- ▶ Výrobky přepravujte vždy bez nasazených akumulátorů!

- ▶ Vyjměte akumulátory.
- ▶ Akumulátory nikdy nepřeppravujte volně.
- ▶ Po delší přepravě nářadí, nástroje a akumulátory před použitím zkontrolujte, zda nejsou poškozené.

### Skladování

#### POZOR

#### Neúmyslné poškození vadnými nebo vyteklými akumulátory. !

- ▶ Výrobky skladujte vždy bez nasazených akumulátorů!
- ▶ Nářadí, nástroje a akumulátory skladujte pokud možno v suchu a chladu.
- ▶ Akumulátory nikdy neskladujte na slunci, na topení nebo za sklem.
- ▶ Nářadí, nástroje a akumulátory skladujte mimo dosah dětí a nepovolaných osob.



- Po delším skladování nářadí, nástroje a akumulátory před použitím zkontrolujte, zda nejsou poškozené.

## 9 Pomoc při poruchách

V případě poruch, které nejsou uvedené v této tabulce nebo které nemůžete odstranit sami, se obraťte na náš servis **Hilti**.

Porucha	Možná příčina	Řešení
Akumulátor se vybíjí rychleji než obvykle.	Velmi nízká teplota prostředí.	► Nechte akumulátor pomalu zahřát na pokojovou teplotu.
Akumulátor nezaskočí se slyšitelným cvaknutím.	Zajišťovací výstupky na akumulátoru jsou znečištěné.	► Vyčistěte zajišťovací výstupky a znovu nasaďte akumulátor.
1 LED bliká. Nářadí nefunguje.	Akumulátor je vybitý.	► Vyměňte akumulátor nebo vybitý akumulátor nabijte.
	Akumulátor je příliš studený nebo příliš horký.	► Nechte akumulátor pomalu zahřát nebo vychladnout na pokojovou teplotu.
Blikají všechny 4 LED. Nářadí nefunguje.	Nářadí je přetížené.	► Nářadí vypněte a znovu zapněte. Potom nechte nářadí běžet cca 30 sekund na volnoběh.
Nářadí/akumulátor se silně zahřívají.	Elektrická závada.	► Nářadí okamžitě vypněte, vyjměte akumulátor, sledujte ho, nechte ho vychladnout a kontaktujte servis <b>Hilti</b> .
Nářadí nemá plný výkon.	Použili jste akumulátor s příliš malou kapacitou.	► Použijte akumulátor s dostatečnou kapacitou.
Motor nebrzdí.	Akumulátor je vybitý.	► Vyměňte akumulátor nebo vybitý akumulátor nabijte.
	Nářadí je krátkodobě přetížené.	► Nářadí vypněte a znovu zapněte.
Nářadí silně vibruje.	Nástroj není kompatibilní s nářadím.	► Používejte pouze nástroje, které odpovídají specifikacím v technických údajích.
	Nástroj je poškozený, nemá kruhový pohyb nebo je nevyvážený.	► Používejte pouze bezvadné nástroje.
	Zařízení je vadné.	► Není-li příčinou nástroj, obraťte se na servis <b>Hilti</b> .

## 10 Likvidace

Nářadí **Hilti** je vyrobené převážně z recyklovatelných materiálů. Předpokladem pro recyklaci materiálů je jejich řádné třídění. V mnoha zemích odebírá **Hilti** staré nářadí k recyklaci. Informujte se v servisu **Hilti** nebo u prodejního poradce.

### Likvidace akumulátorů

V důsledku nesprávné likvidace akumulátorů může dojít k poškození zdraví unikajícími plyny nebo kapalinami.

- Poškozené akumulátory žádným způsobem neposílejte!
- Přípojky zakryjte nevodivým materiálem, abyste zabránili zkratu.
- Akumulátory zlikvidujte tak, aby se nemohly dostat do rukou dětem.
- Akumulátor odevzdejte k likvidaci v **Hilti Store** nebo se obraťte na příslušnou sběrnou odpadů.



- Nevyhazujte elektrické nářadí, elektronická zařízení a akumulátory do smíšeného odpadu!

## 11 RoHS (směrnice o omezení používání nebezpečných látek)

Pod následujícím odkazem najdete tabulku s nebezpečnými látkami: [qr.hilti.com/r11229136](http://qr.hilti.com/r11229136).

Odkaz na tabulku RoHS najdete na konci této dokumentace jako QR kód.



## 12 Záruka výrobcu

- ▶ V prípade otázok ohľadne záručných podmienok sa obráťte na miestneho partnera Hilti.

# Originálny návod na obsluhu

## 1 Údaje k dokumentácii

### 1.1 O tejto dokumentácii

- Pred uvedením do prevádzky si prečítajte túto dokumentáciu. Je to predpoklad na bezpečnú prácu a bezproblémovú manipuláciu.
- Dodržujte bezpečnostné pokyny a varovania v tejto dokumentácii a na produkte.
- Tento návod na obsluhu uchovávajte vždy s výrobkom a ďalším osobám odovzdávajte výrobok iba s týmto návodom.

### 1.2 Vysvetlenie značiek

#### 1.2.1 Výstražné upozornenia

Výstražné upozornenia varujú pred rizikami pri zaobchádzaní s výrobkom. Používajú sa nasledujúce signálne slová:

#### NEBEZPEČENSTVO

##### NEBEZPEČENSTVO !

- ▶ Na označenie bezprostredne hroziaceho nebezpečenstva, ktoré môže spôsobiť ťažký úraz alebo smrť.

#### VAROVANIE

##### VAROVANIE !

- ▶ Označenie možného hroziaceho nebezpečenstva, ktoré môže viesť k ťažkým poraneniam alebo usmrteniu.





#### POZOR

##### POZOR !

- ▶ Označenie novej nebezpečnej situácie, ktorá môže viesť k ľahším ublíženiam na tele alebo vecným škodám.


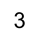

#### 1.2.2 Symboly v dokumentácii

V tejto dokumentácii sa používajú nasledujúce symboly:

	Pred použitím si prečítajte návod na obsluhu
	Upozornenia týkajúce sa používania a iné užitočné informácie
	Zaobchádzanie s recyklovateľnými materiálmi
	Elektrické zariadenia a akumulátory nevyhadzujte do komunálneho odpadu

#### 1.2.3 Symboly na obrázkoch

Na vyobrazeniach sa používajú nasledujúce symboly:

	Tieto čísla odkazujú na príslušné vyobrazenie na začiatku tohto návodu
	Číslovanie udáva poradie pracovných úkonov na obrázku a môže sa odlišovať od číslovania pracovných úkonov v texte.
	Čísla pozícií sa používajú v obrázku <b>Prehľad</b> a odkazujú na čísla legendy v odseku <b>Prehľad výrobkov</b> .





Tento symbol by mal u vás vzbudiť mimoriadnu pozornosť pri zaobchádzaní s výrobkom.

### 1.3 Symboly na produktoch

#### 1.3.1 Symboly na výrobku

Na výrobku môžu byť použité nasledujúce symboly:

	Náradie podporuje NFC technológiu, ktorá je kompatibilná so systémami iOS a Android.
	Použitý typový rad lítiovo-iónového akumulátora <b>Hilti</b> . Riadťe sa pokynmi v kapitole <b>Používanie v súlade s určeným účelom</b> .
Li-Ion	Lítiovo-iónový akumulátor
	Akumulátor nikdy nepoužívajte ako nástroj na udieranie alebo zatĺkanie.
	Nenechajte akumulátor spadnúť. Nepoužívajte akumulátor, ktorý bol vystavený nárazu alebo je inak poškodený.
	Jednosmerný prúd
	Používajte ochranné okuliare!
n	Menovité otáčky
/min	Otáčky za minútu
RPM	Otáčky za minútu
	Priemer

### 1.4 Informácie o výrobku

Výrobky sú určené pre profesionálneho používateľa a smie ich obsluhovať, vykonávať údržbu a opravovať iba autorizovaný, vyškolený personál. Tento personál musí byť špeciálne poučený o vznikajúcich rizikách a nebezpečenstve. Výrobok a jeho pomocné prostriedky sa môžu stať zdrojom nebezpečenstva v prípade, že s nimi bude manipulovať personál bez vzdelania, neodborným spôsobom alebo ak sa nebudú používať v súlade s určením.

Typové označenie a sériové číslo sú uvedené na typovom štítku.

- Poznamenajte si sériové číslo do nasledujúcej tabuľky. Údaje výrobku budete potrebovať pri dopytoch adresovaných nášmu zastúpeniu alebo servisu.

#### Údaje o výrobku

Akumulátorová priama brúska	GDG 6-A22
Generácia	01
Sériové číslo	

### 1.5 Vyhlásenie o zhode

Na vlastnú zodpovednosť vyhlasujeme, že tu opísaný výrobok sa zhoduje s nasledujúcimi smernicami a normami. Vyobrazenie vyhlásenia o zhode nájdete na konci tejto dokumentácie.

Technické dokumentácie sú uložené tu:

**Hilti** Entwicklungsgesellschaft mbH | Zulassung Geräte | Hiltistraße 6 | 86916 Kaufering, DE





## 2 Bezpečnosť

### 2.1 Všeobecné bezpečnostné pokyny a upozornenia pre elektrické náradie

**⚠ VÝSTRAHA** Prečítajte si všetky bezpečnostné upozornenia, pokyny, obrázky a technické údaje týkajúce sa toto elektrického náradia. Nedbalosť pri dodržiavaní uvedených pokynov a pokynov môže mať za následok úraz elektrickým prúdom, požiar a/alebo závažné poranenia.

**Všetky bezpečnostné upozornenia a pokyny si uschovajte pre budúcu potrebu.**

Pojem "elektrické náradie" uvedený v bezpečnostných upozorneniach sa vzťahuje na sieťové elektrické náradie (náradie so sieťovým káblom) alebo na akumulátorové elektrické náradie (bez sieťového kábla).

#### Bezpečnosť na pracovisku

- ▶ **Na pracovisku udržiavajte čistotu a dbajte na dostatočné osvetlenie.** Neporiadok na pracovisku a neosvetlené časti pracoviska môžu viesť k úrazom.
- ▶ **Nepracujte s elektrickým náradím vo výbušnom prostredí, v ktorom sa nachádzajú horľavé kvapaliny, plyny alebo prach.** Elektrické náradie vytvára iskry, ktoré môžu spôsobiť vznietenie prachu alebo výparov.
- ▶ **Pri používaní elektrického náradia dbajte na bezpečnú vzdialenosť detí a iných osôb.** Pri odpuťaní pozornosti od práce môžete stratiť kontrolu nad náradím.

#### Elektrická bezpečnosť

- ▶ **Pripájacia zástrčka elektrického náradia musí byť vhodná od danej zásuvky.** Zástrčka sa nesmie žiadnym spôsobom meniť či upravovať. Spolu s uzemneným elektrickým náradím nepoužívajte žiadne zástrčkové adaptéry. Nezmenené zástrčky a vhodné zásuvky znižujú riziko úrazu elektrickým prúdom.
- ▶ **Zabráňte kontaktu tela s uzemnenými povrchmi ako sú rúry, radiátory alebo vykurovacie telesá, sporáky a chladničky.** Pri uzemnení vášho tela hrozí zvýšené riziko úrazu elektrickým prúdom.
- ▶ **Chráňte elektrické náradie pred dažďom či vlhkosťou.** Vniknutie vody do elektrického náradia zvyšuje riziko úrazu elektrickým prúdom.
- ▶ **Pripojovací kábel nepoužívajte na účely, na ktoré nie je určený, napr. na prenášanie, zavesenie elektrického náradia či na vyťahovanie zástrčky zo zásuvky.** Pripojovací kábel držte v bezpečnej vzdialenosti od tepla, oleja, ostrých hrán alebo pohyblivých častí. Poškodené alebo spletené pripojovacie káble zvyšujú riziko úrazu elektrickým prúdom.
- ▶ **Pri práci s elektrickým náradím vo vonkajšom prostredí používajte iba predlžovacie káble vhodné aj do vonkajšieho prostredia.** Používanie predlžovacieho kábla vhodného do vonkajšieho prostredia znižuje riziko úrazu elektrickým prúdom.
- ▶ **Pokiaľ sa nemožno vyhnúť prevádzkovaniu elektrického náradia vo vlhkom prostredí, použite prúdový chránič.** Použitie prúdového chrániča znižuje riziko úrazu elektrickým prúdom.

#### Bezpečnosť osôb

- ▶ **Pri práci buďte pozorní, dávajte pozor na to, čo robíte a pri práci s elektrickým náradím postupujte s rozvahou.** Elektrické náradie nepoužívajte vtedy, keď ste unavení alebo pod vplyvom drog, alkoholu alebo liekov. Aj moment nepozornosti pri používaní elektrického náradia môže viesť k závažným poraneniam.
- ▶ **Noste prostriedky osobnej ochrannej výbavy a vždy používajte ochranné okuliare.** Nosenie osobnej ochrannej výbavy, ako je maska proti prachu, bezpečnostná obuv s protišmykovou podrážkou, ochranná prilba alebo chrániče sluchu (podľa druhu a použitia elektrického náradia), znižuje riziko poranení.
- ▶ **Zabráňte neúmyselnému uvedeniu do prevádzky.** Pred pripojením na elektrické napájanie a/alebo pripojením akumulátora, pred uchopením alebo prenášaním sa uistite, že elektrické náradie je vypnuté. Ak máte pri prenášaní elektrického náradia prst na spínači alebo ak pripojíte zapnuté náradie na elektrické napájanie, môže to viesť k vzniku úrazov a nehôd.
- ▶ **Pred zapnutím elektrického náradia odstráňte z náradia nastavovacie nástroje alebo kľúče na skrutky.** Nástroj alebo kľúč v otáčajúcej sa časti náradia môže spôsobiť úrazy.
- ▶ **Vyhýbajte sa neprirodzenej polohe a držaniu tela.** Pri práci zabezpečte stabilný postoj a neustále udržiavajte rovnováhu. Budete tak môcť elektrické náradie v neočakávaných situáciách lepšie kontrolovať.
- ▶ **Noste vhodný odev.** Nenoste voľný odev alebo šperky. Vlasy, odev a rukavice udržiavajte mimo pohybujúcich sa dielov. Voľný odev, šperky alebo dlhé vlasy sa môžu zachytiť o pohybujúce sa diely.
- ▶ **Ak je možné namontovať zariadenia na odsávanie a zachytávanie prachu, presvedčite sa, že tieto zariadenia sú pripojené a používajú sa správne.** Používanie zariadenia na odsávanie prachu môže znížiť ohrozenia spôsobené prachom.



- ▶ **Neuspokojte sa pocitom falošnej bezpečnosti a nekonajte v rozpore s bezpečnostnými pravidlami pre elektrické náradie, aj keď máte dostatok skúseností s používaním elektrického náradia.** Nedbalé konanie sa môže v zlomkoch sekundy zmeniť na ťažký úraz.

#### **Používanie a starostlivosť o elektrické náradie**

- ▶ **Náradie/zariadenie/prístroj nepreťažujte. Používajte vhodné elektrické náradie určené na prácu, ktorú vykonávate.** Vhodné elektrické náradie umožňuje lepšiu a bezpečnejšiu prácu v uvedenom rozsahu výkonu.
- ▶ **Elektrické náradie s poškodeným vypínačom nepoužívajte.** Náradie, ktoré sa nedá zapnúť alebo vypnúť je nebezpečné a treba ho dať opraviť.
- ▶ **Skôr než budete náradie nastavovať, meniť časti jeho príslušenstva alebo než ho odložíte, vytiahnite sieťovú zástrčku zo zásuvky a/alebo vyberte odnímateľný akumulátor.** Toto bezpečnostné opatrenie zabraňuje neúmyselnému spusteniu elektrického náradia.
- ▶ **Nepoužívané elektrické náradie odložte na miesto chránené pred prístupom detí. Nedovoľte používať náradie osobám, ktoré s ním nie sú oboznámené alebo si neprečítali tieto inštrukcie.** Elektrické náradie je pre neskusených používateľov nebezpečné.
- ▶ **Elektrické náradie a príslušenstvo starostlivo udržiavajte. Skontrolujte, či pohyblivé časti náradia bezchybne fungujú a nezasekávajú sa, či nie sú niektoré časti zlomené alebo poškodené v takom rozsahu, že to ovplyvňuje fungovanie elektrického náradia. Poškodené časti dajte pred použitím náradia opraviť.** Mnohé úrazy sú zapríčinené nesprávne a nedostatočne udržiavaným elektrickým náradím.
- ▶ **Rezacie nástroje udržiavajte ostré a čisté.** Starostlivo ošetrované rezacie nástroje s ostrými reznými hranami sa zasekávajú menej a ľahšie sa vedú.
- ▶ **Elektrické náradie, príslušenstvo, vkladacie nástroje atď. používajte v súlade s týmito pokynmi. Zohľadnite pri tom pracovné podmienky a vykonávanú činnosť.** Používanie elektrického náradia na iné než určené použitie môže viesť k nebezpečným situáciám.
- ▶ **Rukoväti a plochy udržiavajte suché, čisté a bez oleja alebo tuku.** Klzké rukoväti a plochy neumožňujú bezpečnú obsluhu a kontrolu elektrického náradia v nepredvídateľných situáciách.

#### **Použitie a starostlivosť o akumulátorové náradie**

- ▶ **Akumulátory nabíjajte len v nabíjačkách odporúčaných výrobcom.** Ak sa nabíjačka vhodná pre určitý druh akumulátorov používa s inými akumulátormi, hrozí riziko vzniku požiaru.
- ▶ **V elektrickom náradí používajte iba akumulátory, ktoré sú pre náradie určené.** Používanie iných akumulátorov môže viesť k úrazom a nebezpečenstvu požiaru.
- ▶ **Nepoužívaný akumulátor udržiavajte mimo dosahu kancelárskych sponiek, mincí, kľúčov, klinec, skrutiek alebo iných malých kovových predmetov, ktoré by mohli zapríčiniť premostenie kontaktov.** Skrat medzi kontaktmi akumulátora môže mať za následok vznik popálenín alebo požiaru.
- ▶ **Pri nesprávnom používaní môže z akumulátora unikať kvapalina. Zabráňte kontaktu s ňou. Pri náhodnom kontakte vykonajte opláchnutie vodou. Pri vniknutí kvapaliny do očí dodatočne vyhľadajte lekársku pomoc.** Kvapalina vytekajúca z akumulátora môže spôsobiť podráždenia pokožky alebo popáleniny.
- ▶ **Nepoužívajte poškodené alebo upravované akumulátory.** Poškodené alebo upravované akumulátory sa môžu správať nepredvídateľne a spôsobiť požiar, výbuch alebo zvýšiť riziko úrazu.
- ▶ **Akumulátor nevhadzujte do ohňa alebo ho nevystavujte vysokým teplotám.** Oheň alebo teploty nad 130 °C (265 °F) môžu spôsobiť výbuch.
- ▶ **Dodržujte všetky pokyny týkajúce sa nabíjania a akumulátor alebo akumulátorové náradie nenabíjajte mimo teplotného rozsahu uvedeného v prevádzkovom návode.** Nesprávne nabíjanie alebo nabíjanie mimo dovoleného teplotného rozsahu môže zničiť akumulátor alebo zvýšiť riziko požiaru.

#### **Servis**

- ▶ **Elektrické náradie nechajte opravovať iba kvalifikovaným odborným personálom a iba s použitím originálnych náhradných dielov.** Tým sa zabezpečí, že zostane zachovaná bezpečnosť náradia.
- ▶ **Nikdy nevykonávajte údržbu poškodených akumulátorov.** Akúkoľvek údržbu môže vykonávať len výrobca alebo autorizované servisné stredisko.

## **2.2 Spoločné bezpečnostné upozornenia týkajúce sa brúsenia, brúsenia s použitím brúsneho papiera, práce s drôtenými kefami, leštenia, frézovania a rozbrusovania:**

- ▶ **Toto elektrické náradie sa používa ako brúska, brúska využívajúca brúsny papier, drôtená kefa, leštička, na frézovanie a ako rezacie náradie. Dodržiavajte všetky bezpečnostné upozornenia, pokyny, znázornenia a údaje, ktoré dostanete spolu s náradím.** V prípade nerešpektovania nasledujúcich pokynov môže dôjsť k úrazu elektrickým prúdom, požiaru a/alebo k závažným poraneniam.



- ▶ **Nepoužívajte príslušenstvo, ktoré nie je výrobcom určené a odporúčané špeciálne pre toto elektrické náradie.** Len to, že nejaké príslušenstvo sa dá upevniť na vaše elektrické náradie, ešte nie je zárukou bezpečného používania.
- ▶ **Pripustné otáčky vkladacieho nástroja musia byť minimálne také vysoké, ako sú najvyššie otáčky uvedené na elektrickom náradí.** Príslušenstvo, ktoré sa otáča rýchlejšie ako je prípustné, sa môže rozlomiť a odletieť.
- ▶ **Vonkajší priemer a hrúbka vkladacieho nástroja musia zodpovedať rozmerom vášho elektrického náradia.** Vkladacie nástroje s nesprávnymi rozmermi nemusia byť dostatočne zakryté alebo kontrolované.
- ▶ **Brúsne kotúče, brúsne valce alebo ostatné príslušenstvo musia presne pasovať na brúsne vreteno alebo klieštinu vášho náradia.** Vkladacie nástroje, ktoré nepasujú presne do uchytenia náradia, sa otáčajú nepravidelne, veľmi intenzívne vibrujú a môžu viesť k strate kontroly.
- ▶ **Kotúče, brúsne valce, rezacie nástroje alebo iné príslušenstvo namontované na jednom trní musia byť úplne zasunuté do klieštiny alebo upínacieho puzdra.** „Presah“ príp. voľná časť trňa medzi brúsnym nástrojom a klieštinou alebo upínacím puzdrom musia byť minimálne. Pokiaľ trň nie je dostatočne utiahnutý alebo brúsne nástroje vyčnievajú príliš ďaleko, môže sa vkladací nástroj uvoľniť a vysunúť vysokou rýchlosťou.
- ▶ **Nepoužívajte žiadne poškodené vkladacie nástroje.** Pred každým použitím takých vkladacích nástrojov ako sú brúsne kotúče, skontrolujte, či na brúsných kotúčoch nie sú výstrbenia a trhliny, či brúsne valce nemajú trhliny, nie sú poškodené alebo príliš opotrebované, pri drôtených kefách skontrolujte uvoľnené alebo zlomené drôty. Po páde elektrického náradia alebo vkladacieho nástroja skontrolujte, či nie sú poškodené, alebo použite nepoškodený vkladací nástroj. Ak ste vkladací nástroj skontrolovali a nasadili, zdržiavajte sa vy a aj osoby nachádzajúce sa v blízkosti mimo úroveň rotujúceho vkladacieho nástroja. Náradie nechajte spustené jednu minútu na najvyšších otáčkach. Poškodené vkladacie nástroje sa väčšinou zlomia už počas tohto testu.
- ▶ **Používajte prostriedky osobnej ochrany.** V závislosti od použitia náradia používajte ochranný štít tváre, chrániče očí alebo ochranné okuliare. V prípade potreby používajte ochrannú masku proti prachu, chrániče sluchu, pracovné rukavice alebo špeciálnu zásteru, ktoré vás chránia proti drobným častočkám brúsneho prachu. Zrak si chráňte proti odlietavajúcim častočkám, ktoré sa uvoľňujú pri rôznych činnostiach. Ochranná maska alebo maska proti prachu musí odfiltrovať prach vznikajúci pri práci. Pri dlhodobom vystavení nadmernej hlučnosti môže dôjsť k strate sluchu.
- ▶ **Dbajte na bezpečný odstup iných osôb od vášho pracoviska.** Každá osoba, ktorá vstúpi do oblasti vášho pracoviska, musí používať prostriedky osobnej ochrannéj výbavy. Úlomky obrobku alebo zlomených vkladacích nástrojov môžu prudko vyletieť a spôsobiť poranenia aj mimo priamej pracovnej oblasti.
- ▶ **Ak vykonávate práce, pri ktorých sa môže vkladací nástroj dostať do styku so skrytými elektrickými vedeniami, držte elektrické náradie iba za izolované úchopové plochy.** Kontakt s elektrickým vedením pod napätím môže spôsobiť, že aj kovové časti náradia budú pod napätím, a tým môžu viesť k úrazu elektrickým prúdom.
- ▶ **Elektrické náradie pri spustení vždy pevne držte.** Pri zvyšovaní na plné otáčky môže reakčný moment motora spôsobiť pretočenie elektrického náradia.
- ▶ **Ak je to možné, pripevnite obrobok do zveráka.** Počas používania nikdy nedržte malý obrobok v jednej ruke a elektrické náradie v druhej. Ak malé obrobky upevníte, budete mať obe ruky voľné pre lepšiu kontrolu nad elektrickým náradím. Okrúhle obrobky, ako sú drevené kolíky, tyčový materiál alebo rúry, sa môžu pri rezaní odkotúľať, čo môže viesť k tomu, že sa vkladací nástroj môže zaseknúť a vymrštiť na vás.
- ▶ **Elektrické náradie nikdy neodkladajte skôr, než sa úplne zastaví vkladací nástroj.** Rotujúci vkladací nástroj sa môže dostať do styku s odkladacou plochou, kvôli čomu môžete stratiť kontrolu nad elektrickým náradím.
- ▶ **Po výmene vkladacích nástrojov alebo po nastavení zariadenia utiahnite maticu klieštiny, upínacie puzdro alebo iné upevňovacie prvky.** Slabo upevnené upevňovacie prvky sa môžu neočakávane prestaviť a viesť k strate kontroly, neupevnené, rotujúce komponenty sú vymrštené násilím.
- ▶ **Elektrické náradie nikdy neponechávajte spustené vtedy, keď ho prenášate.** Otáčajúci sa vkladací nástroj môže pri náhodnom kontakte zachytiť váš odev a vkladací nástroj môže spôsobiť poranenia tela.
- ▶ **Pravidelne čistíte štrbiny slúžiace na odvetrávanie vášho elektrického náradia.** Ventilátor motora vŕhajú prach do krytu a intenzívne hromadenie kovového prachu môže spôsobiť riziko úrazu elektrickým prúdom.
- ▶ **Elektrické náradie nepoužívajte v blízkosti horľavých materiálov.** Tieto materiály sa od odlietavajúcich iskier môžu vznietiť.
- ▶ **Nepoužívajte žiadne také vkladacie nástroje, ktoré si vyžadujú tekuté chladiace médiá.** Použitie vody alebo iných chladiacich médií môže viesť k úrazu elektrickým prúdom.



### Spätný ráz a príslušné bezpečnostné upozornenia

Spätný ráz je náhla reakcia v dôsledku zaseknutého alebo zablokovaného rotujúceho vkladacieho nástroja, ako je brúsny kotúč, brúsny tanier, drôtená kefa atď. Zaseknutie alebo zablokovanie vedie k náhlemu zastaveniu rotujúceho vkladacieho nástroja. Tým sa nekontrolované elektrické náradie vymrští proti smeru otáčania vkladacieho nástroja na mieste zablokovania.

Keď sa napr. brúsny kotúč zasekne alebo zablokuje v obrobku, môže sa hrana brúsneho kotúča prenikajúca do obrobku zachytiť a tým spôsobiť vymlomenie brúsneho kotúča alebo spätý ráz. Brúsny kotúč sa potom pohybuje smerom k obsluhujúcej osobe alebo od nej, podľa smeru otáčania kotúča na mieste zablokovania. Brúsne kotúče sa pritom môžu aj zlomiť.

Spätný ráz je dôsledkom nesprávneho alebo chybného používania elektrického náradia. Možno mu zabrániť vhodnými bezpečnostnými opatreniami, ktoré sú opísané ďalej.

- ▶ **Elektrické náradie vždy pevne držte a zaujmite pozíciu tela a ramien, umožňujúcu zachytenie síl vznikajúcich pri spätnom ráze.** Obsluhujúca osoba môže prostredníctvom vhodných bezpečnostných opatrení zvládnuť sily vznikajúce pri spätnom ráze.
- ▶ **Mimoriadne opatrne postupujte v oblasti rohov, ostrých hrán a podobne. Zabráňte tomu, aby sa vkladacie nástroje odrazili naspäť od obrobku a zasekli sa.** Rotujúci vkladací nástroj má sklon k zasekávaniu pri práci v rohoch, na ostrých hranách alebo pri odrazení sa. To zapríčiňuje stratu kontroly alebo spätý ráz.
- ▶ **Nepoužívajte ozubený pílový kotúč.** Takéto vkladacie nástroje sú častokrát príčinou vzniku spätného rázu alebo straty kontroly nad elektrickým náradím.
- ▶ **Vkladací nástroj vždy vedte do materiálu v rovnakom smere, v ktorom rezná hrana opúšťa materiál (zodpovedá rovnakému smeru, v ktorom sú triesky vyhodené).** Vedenie elektrického náradia v nesprávnom smere spôsobí, že sa rezná hrana vkladacieho nástroja vymlomí z obrobku, čím sa elektrické náradie vyťiahne v tomto smere posuvu.
- ▶ **Obrobok vždy upnite pri použití rotačných pilníkov, rezacích kotúčov, vysokorýchlostných frézovacích nástrojov alebo frézovacích nástrojov z tvrdého kovu.** Už pri miernom skrútení v drážke sa tieto vkladacie nástroje zachytia a môžu spôsobiť spätý ráz. Ak sa zachytí rezný kotúč, zvyčajne sa zlomí. Ak sa zachytia rotačné pilníky, vysokorýchlostné frézovacie nástroje alebo frézovacie nástroje z tvrdého kovu, môže vložka nástroja vyskočiť z drážky a spôsobiť stratu kontroly nad elektrickým náradím.

### Osobitné bezpečnostné upozornenia pri brúsení a rezaní:

- ▶ **Používajte výlučne brúsne nástroje určené pre vaše elektrické náradie a iba na odporúčané účely použitia.** Príklad: nikdy nebrúste bočnou plochou rezacieho kotúča. Rezacie kotúče sú určené na úber materiálu hranou kotúča. Pri pôsobení bočnej sily sa toto brúsne teleso môže zlomiť.
- ▶ **Pre kuželové a rovné brúsne telesá so závitom používajte iba nepoškodené trne správnej veľkosti a dĺžky, bez výrezov na ramene.** Použitie vhodných trňov znižuje možnosť zlomenia.
- ▶ **Zabráňte zablokovaniu rezacieho kotúča alebo aplikovaniu príliš veľkého prítlaku. Nevykonávajte žiadne príliš hlboké rezy.** Preťaženie rezacieho kotúča zvyšuje jeho namáhanie a náchylnosť k spriecheniu alebo zablokovaniu, a tým aj možnosť spätného rázu alebo zlomenia brúsneho telesa.
- ▶ **Vyhýbajte sa použitiu rúk v oblasti pred a za rotujúcim rezacím kotúčom.** Ak rezací kotúč v obrobku odsuniete od ruky, môže náradie s rotujúcim kotúčom v prípade spätného rázu prudko vyraziť smerom k vám.
- ▶ **V prípade zaseknutia rezacieho kotúča alebo pri prerušení práce vypnite náradie a pokojne ho držte, kým sa kotúč úplne nezastaví. Nikdy sa nepokúšajte ešte rotujúci rezací kotúč vyťahovať z rezu, inak môže dôjsť k spätnému rázu.** Zistite a odstráňte príčinu zaseknutia.
- ▶ **Náradie nikdy znovu nezapínajte, kým sa nachádza v obrobku. Počkajte, kým rezací kotúč nedosiahne plné otáčky a až potom opatrne pokračujte v reze.** V opačnom prípade sa kotúč môže zachytiť, vyskočiť z obrobku alebo zapríčiniť spätý ráz.
- ▶ **Dosky alebo veľké obrobky podprite, aby ste znížili riziko spätného rázu kvôli zaseknutému rezaciemu kotúču.** Veľké obrobky sa vlastnou váhou môžu prehnúť. Obrobok musí byť podopretý na oboch stranách kotúča, a to tak v blízkosti deliaceho rezu, ako aj na hrane.
- ▶ **Mimoriadne opatrne postupujte pri rezoch so zanorením do existujúcich stien alebo iných oblastí, na ktoré nie je možný náhľad.** Zanášajúci sa rezací kotúč môže pri zarezaní do plynových alebo vodovodných potrubí, elektrických vedení alebo iných objektov zapríčiniť spätý ráz.

### Dodatočné bezpečnostné pokyny na prácu s drôtenými kefami:

- ▶ **Nezabúdajte, že z drôtenej kefy sa aj pri bežnom používaní uvoľňujú kúsky drôtu.** Drôtenú kefu nepreťažujte príliš veľkým prítlakom. Odlietavajúce úlomky drôtov môžu veľmi ľahko preniknúť cez tenký odev a/alebo pokožku.
- ▶ **Pred použitím nechajte kefy bežať pri pracovnej rýchlosti najmenej jednu minútu. Dbajte na to, aby v tomto čase nestála žiadna iná osoba pred alebo v rovnakej línii s kefou.** Uvoľnené kúsky drôtu môžu počas zábehu odletieť.



- ▶ **Nasmerujte rotujúcu drôtenú kefu smerom od seba.** Pri práci s týmito kefami môžu malé častice a drobné kúsky drôtu vysokou rýchlosťou odletieť a preniknúť do pokožky.

### 2.3 Starostlivé zaobchádzanie s akumulátormi a ich používanie

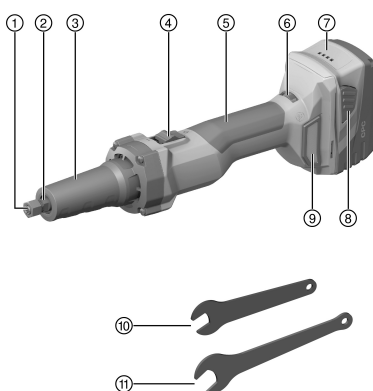
- ▶ Dodržiavajte osobitné smernice na prepravu, skladovanie a prevádzku lítium-iónových akumulátorov.
- ▶ Akumulátory udržiavajte mimo dosahu vysokých teplôt, priameho slnečného žiarenia a ohňa.
- ▶ Akumulátory sa nesmú rozoberať, stláčať, zahrievať nad 80 °C alebo spaľovať.
- ▶ Nepoužívajte alebo nenabíjajte akumulátory, ktoré boli zasiahnuté úderom, utrpeli pád z výšky viac ako jeden meter alebo boli iným spôsobom poškodené. V takom prípade vždy kontaktujte **Hilti servis**.
- ▶ Pokiaľ je akumulátor príliš horúci na dotyk, môže byť poškodený. Náradie postavte na nehorľavé miesto s dostatočnou vzdialenosťou od horľavých materiálov, kde sa dá sledovať, a nechajte ho vychladnúť. V takom prípade vždy kontaktujte **Hilti servis**.

### 2.4 Doplnkové bezpečnostné upozornenia

- ▶ Výrobok držte pri používaní tak, aby brúsny prach, iskry a možné úlomky vkladacieho nástroja alebo obrobku nezasiahli vaše telo.
- ▶ Pri výmene vkladacieho nástroja používajte iba vhodné a nepoškodené kľúčce.
- ▶ Vkladacie nástroje musia mať bezchybný rotačný chod. Nepoužívajte žiadne nerovnomerné vkladacie nástroje.
- ▶ Neodstraňujte triesky alebo úlomky pri spustenom výrobku. Vypnite výrobok.
- ▶ Náradie zapínajte až na pracovisku.
- ▶ Pri výmene nástroja používajte ochranné rukavice, pretože vkladací nástroj a upínanie nástroja sa pri práci zahrieva.
- ▶ Kvôli lepšiemu prekrveniu prstov si robte počas práce prestávky, ako aj cvičenia na uvoľnenie a cvičenia prstov. Pri dlhšej práci sa môžu v dôsledku vibrácií vyskytnúť poruchy na cievach alebo nervovom systéme pri prstoch, rukách alebo kĺboch či zápästiach rúk.
- ▶ Zabezpečte dobré vetranie pracoviska a prípadne používajte ochrannú masku vhodnú pre príslušný prach.
- ▶ Vyčistite upínaciu stopku vkladacieho nástroja predtým, než ho vložíte. Dbajte na to, aby bola stopka vkladacieho nástroja vždy upevnená v klieštine najmenej 20 mm. Po nasadení nástroja vždy dotiahnite upínaciu maticu. Nedostatočne upevnené vkladacie nástroje sa môžu počas prevádzky uvoľniť a vyvrátiť.
- ▶ Používajte len vkladacie nástroje, ktoré sú uvedené v technických údajoch.

## 3 Opis

### 3.1 Prehľad výrobku



- ① Upínacia matica s klieštinou
- ② Vreteno
- ③ Hrdlo / predná rukoväť
- ④ Vypínač s aretáciou
- ⑤ Rukoväť
- ⑥ Nastavovacie koliesko pre otáčky
- ⑦ Akumulátor
- ⑧ Tlačidlo na odistenie akumulátora
- ⑨ Prachový filter
- ⑩ Malý kľúč, 12 mm
- ⑪ Veľký kľúč, 17 mm

### 3.2 Používanie v súlade s určením

Opisovaný výrobok je priama brúska. Je určená na opracovávanie kovov. Je určená na brúsenie a rezanie, na prácu s drôtenými kefami, leštenie a frézovanie.



Používajte iba vkladacie nástroje s priemerom stopky, ktorá zodpovedá zabudovanej klieštine. Dodržiavajte údaje uvedené v technických údajoch.

Výrobok je určený len na suché použitie bez vody.

- Pre tento výrobok používajte len lítiovo-iónové akumulátory Hilti typového radu B 22.
- Pre tieto akumulátory používajte iba nabíjačky schválené spoločnosťou Hilti. Ďalšie informácie nájdete vo vašom Hilti Store alebo na stránke: [www.hilti.group](http://www.hilti.group)

### 3.3 Rozsah dodávky

Priama brúska, 2 kľúče, návod na obsluhu

Ďalšie systémové výrobky, ktoré sú schválené pre váš výrobok, nájdete vo vašom Hilti Store alebo na stránke: [www.hilti.group](http://www.hilti.group)

### 3.4 Indikácia stavu nabitia lítiovo-iónového akumulátora

Stav nabitia lítiovo-iónového akumulátora sa zobrazí po dotknutí sa jedného z dvoch tlačidiel na odistenie akumulátora.

Stav	Význam
4 LED svietia.	Stav nabitia: 75 % až 100 %
3 LED svietia.	Stav nabitia: 50 % až 75 %
2 LED svietia.	Stav nabitia: 25 % až 50 %
1 LED svieti.	Stav nabitia: 10 % až 25 %
1 LED bliká.	Stav nabitia: < 10 %

Počas a bezprostredne po práci nie je možné zistiť stav nabitia. Pri blikajúcich LED indikácie stavu nabitia akumulátora dbajte, prosím, na rešpektovanie upozornení uvedených v kapitole pre pomoc v prípade porúch.

## 4 Technické údaje

<b>Hmotnosť podľa EPTA Procedure 01 vrátane akumulátora B228.0</b>		2,6 kg
<b>Menovité otáčky</b>		10 000 ot/min ... 25 000 ot/min
<b>Požadované minimálne otáčky vkladacieho nástroja</b>		≥ 25 000 ot/min
<b>Pracovný priemer vkladacieho nástroja</b>		≤ 55 mm
<b>Priemer stopky vkladacieho nástroja</b>	<b>Klieština 6 mm</b>	6 mm
	<b>Klieština 1/4 Zoll</b>	1/4 in
<b>Veľkosť kľúča vreteno</b>		12 mm
<b>Veľkosť kľúča upínacia matica</b>		17 mm
<b>Teplota pri skladovaní</b>		-20 °C ... 70 °C
<b>Teplota okolia počas prevádzky</b>		-17 °C ... 60 °C

### 4.1 Hodnoty hluku a vibrácií podľa EN 62841

Hodnoty akustického tlaku a vibrácií uvedené v tomto návode boli namerané podľa normovanej metódy merania a dajú sa využiť na vzájomné porovnávanie elektrického náradia. Sú vhodné aj na predbežný odhad pôsobení.

Uvedené údaje reprezentujú hlavné spôsoby použitia elektrického náradia. Ak sa však elektrické náradie používa na iné účely, s odlišnými vkladacími nástrojmi alebo nemá zabezpečenú dostatočnú údržbu, údaje sa môžu odlišovať. Tým sa môže podstatne zvýšiť miera pôsobenia v priebehu celého pracovného času.

Pri presnom odhadovaní pôsobení by sa mal zohľadniť aj čas, v priebehu ktorého bolo náradie buď vypnuté, alebo síce spustené, ale v skutočnosti sa nepoužívalo. Tým sa môže podstatne znížiť miera pôsobenia v priebehu celého pracovného času.

Prijmite dodatočné bezpečnostné opatrenia na ochranu obsluhujúcej osoby pred pôsobením hluku a/alebo vibrácií, ako sú napríklad: údržba elektrického náradia a vkladacích nástrojov, udržiavanie správnej teploty rúk, organizácia pracovných procesov.



## Informácie o hlučnosti

Hladina emisií akustického tlaku ( $L_{pA}$ )	76 dB(A)
Neistota pri hladine akustického tlaku ( $K_{pA}$ )	3 dB(A)
Úroveň akustického výkonu ( $L_{WA}$ )	87 dB(A)
Neistota pri úrovni akustického výkonu ( $K_{WA}$ )	3 dB(A)

## Informácie o vibráciách

Hodnota emisií vibrácií ( $a_h$ ), v závislosti od priemeru vkladacieho nástroja	< 25 mm	0,7 m/s <sup>2</sup>
	25 ... < 50 mm	15,9 m/s <sup>2</sup>
	50 ... 55 mm	22,2 m/s <sup>2</sup>
Neistota (K)		1,5 m/s <sup>2</sup>

## 4.2 Akumulátor

Prevádzkové napätie akumulátora	21,6 V
Teplota okolia počas prevádzky	-17 °C ... 60 °C
Teplota pri skladovaní	-20 °C ... 40 °C
Teplota akumulátora na začiatku nabíjania	-10 °C ... 45 °C

## 5 Príprava práce

### POZOR

#### Nebezpečenstvo poranenia neúmyselným rozbehom!

- ▶ Pred vložením akumulátora sa uistite, že príslušný výrobok je vypnutý.
- ▶ Skôr než budete náradie nastavovať alebo meniť časti jeho príslušenstva, odstráňte akumulátor.

Dodržiujte bezpečnostné pokyny a varovania v tejto dokumentácii a na produkte.

### 5.1 Nabíjanie akumulátora

1. Pred začatím nabíjania si prečítajte návod na používanie nabíjačky.
2. Dbajte, aby kontakty akumulátora a nabíjačky boli čisté a suché.
3. Akumulátor nabíjajte schválenou nabíjačkou.

### 5.2 Vloženie akumulátora

#### POZOR

#### Nebezpečenstvo poranenia skratom alebo pádom akumulátora!

- ▶ Pred vložením akumulátora zabezpečte, aby sa na kontaktoch akumulátora a na kontaktoch na výrobku nenachádzali cudzie telesá.
- ▶ Zabezpečte, aby akumulátor vždy správne zapadol.

1. Pred prvým uvedením do prevádzky akumulátor úplne nabite.
2. Vložte akumulátor do držiaka náradia tak, aby počuteľne zapadol.
3. Skontrolujte, či je akumulátor bezpečne vložený.

### 5.3 Odstránenie akumulátora

1. Stlačte odblokovacie tlačidlá akumulátora.
2. Vytiahnite akumulátor z náradia.

### 5.4 Výmena vkladacieho nástroja

#### POZOR

#### Nebezpečenstvo poškodenia prázdnej klieštiny v dôsledku utiahnutej upínacej matice.

- ▶ Upínaciu maticu nikdy nedoťahujte, pokiaľ nie je vložený žiadny vkladací nástroj.



**⚠ POZOR**

**Nebezpečenstvo poranenia a poškodenia** v dôsledku nerovnomerného alebo poškodeného vkladacieho nástroja.

- ▶ Nepoužívajte žiadne poškodené vkladacie nástroje. Pred začatím práce skontrolujte priamu brúsku, či nevykazuje vibrácie.

1. Držte klieštinu malým kľúčom a otvorte upínaciu maticu veľkým kľúčom.
2. Vytiahnite vkladací nástroj z klieštiny.
3. Stopku vkladacieho nástroja zasuňte čo najďalej do klieštiny.
4. Svetlý rozmer stopky  $L_0$  nesmie prekročiť 10 mm. Stopka vkladacieho nástroja musí byť zasunutá do klieštiny najmenej 20 mm.
5. Držte klieštinu malým kľúčom a utiahnite upínaciu maticu veľkým kľúčom.
6. Skontrolujte bezpečné upevnenie vkladacieho nástroja.

## 6 Obsluha

Dodržujte bezpečnostné pokyny a varovania v tejto dokumentácii a na produkte.

### 6.1 Zapnutie

1. Stlačte zadnú časť vypínača.
2. Vypínač posuňte dopredu.
  - ▶ Motor beží.
3. Vypínač zaaretujte.

### 6.2 Práca

1. Zapnite výrobok. → strana 68
2. Pomocou nastavovacieho kolieska otáčok nastavte otáčky, ktoré sú vhodné pre vkladací nástroj a plánovaný účel použitia.
3. Vždy pracujte iba s určenou pracovnou plochou vkladacieho nástroja. Príklad: nikdy nebrúste bočnou plochou rezacieho kotúča. Rezacie kotúče sú určené na úber materiálu hranou kotúča.
4. Zafixujte opracovávaný obrobok. Počas používania nikdy nedržte malý obrobok v jednej ruke a priamu brúsku v druhej. Priamu brúsku vždy pevne držte obidvomi rukami za určené rukoväti.
5. Prisuňte priamu brúsku k obrobku. Pracujte s miernym tlakom a priamu brúsku netlačte do materiálu.

### 6.3 Vypnutie

- ▶ Stlačte zadnú časť vypínača.
  - ▶ Vypínač vyskočí do vypnutej polohy a motor sa zastaví.

## 7 Starostlivosť a údržba/oprava

**⚠ VAROVANIE**

**Nebezpečenstvo poranenia pri vložení akumulátora !**

- ▶ Pred akoukoľvek údržbou a opravami vždy vyberte akumulátor!

### Starostlivosť o náradie

- Pevne zachytenú nečistotu opatrne odstráňte.
- Vetracie štrbiny opatrne vyčistíte suchou kefou.
- Kryt čistíte len mierne navlhčenou handrou. Nepoužívajte žiadne prostriedky na ošetrovanie obsahujúce silikón, pretože tie môžu poškodiť plastové časti.

### Starostlivosť o lítiovo-iónové akumulátory

- Akumulátor udržiavajte čistý a zbavený oleja a tuku.
- Kryt čistíte len mierne navlhčenou handrou. Nepoužívajte žiadne prostriedky na ošetrovanie obsahujúce silikón, pretože tie môžu poškodiť plastové časti.
- Zabráňte vniknutiu vlhkosti.





## Údržba a oprava

- Pravidelne kontrolujte všetky viditeľné časti a výskyt poškodení, ako aj bezchybné fungovanie ovládacích prvkov.
- V prípade poškodenia a/alebo poruchy funkcie výrobok nepoužívajte. Ihneď ho nechajte opraviť v servise firmy **Hilti**.
- Po prácach spojených so starostlivosťou a udržiavaním náradia pripevnite všetky ochranné zariadenia a skontrolujte ich fungovanie.



Aby bola zaistená bezpečná prevádzka, používajte len originálne náhradné súčiastky a spotrebné materiály. Nami schválené náhradné súčiastky, spotrebné materiály a príslušenstvo pre váš výrobok nájdete vo vašom **Hilti Store** alebo na stránke: [www.hilti.group](http://www.hilti.group).

### 7.1 Výmena upínacej matice

#### POZOR

**Nebezpečenstvo poškodenia** prázdnej klieštiny v dôsledku utiahnutej upínacej matice.

- ▶ Upínaciu maticu nikdy nedoťahujte, pokiaľ nie je vložený žiadny vkladací nástroj.

1. Držte vreteno malým kľúčom a otvorte upínaciu maticu veľkým kľúčom.
2. Vytiahnite prípadne vkladací nástroj z klieštiny.
3. Odskrutkujte upínaciu maticu s klieštinou úplne z priamej brúsky.
4. Nasadte novú upínaciu maticu s klieštinou na vreteno a voľne priskrutkujte upínaciu maticu na vreteno. Upínaciu maticu nedoťahujte.

## 8 Preprava a skladovanie akumulátorového náradia

### Preprava

#### POZOR

**Neúmyselné spustenie pri preprave !**

- ▶ Produkty vždy prepravujte bez vložených akumulátorov!
- ▶ Vyberte akumulátory.
- ▶ Akumulátory nikdy neprepravujte voľne uložené.
- ▶ Náradie, vkladacie nástroje a akumulátory po dlhšej preprave skontrolujte pred použitím, či nie sú poškodené.

### Skladovanie

#### POZOR

**Náhodné poškodenie spôsobené chybnými alebo vytekajúcimi akumulátormi !**

- ▶ Produkty vždy skladujte bez vložených akumulátorov!
- ▶ Náradie, vkladacie nástroje a akumulátory skladujte podľa možnosti v chlade a suchu.
- ▶ Akumulátory nikdy neskladujte na slnku, na vykurovacích telesách alebo za oknami.
- ▶ Náradie, vkladacie nástroje a akumulátory skladujte na suchom mieste a mieste nedostupnom pre deti a nepovolané osoby.
- ▶ Náradie, vkladacie nástroje a akumulátory po dlhšom skladovaní pred použitím skontrolujte, či nie sú poškodené.

## 9 Pomoc v prípade porúch

Pri výskyte takých porúch, ktoré nie sú uvedené v tejto tabuľke alebo ktoré nedokážete odstrániť sami, sa prosím obráťte na náš servis **Hilti**.

Porucha	Možná príčina	Riešenie
Akumulátor sa vybíja rýchlejšie ako zvyčajne.	Veľmi nízka teplota okolitého prostredia.	▶ Nechajte akumulátor pomaly ohriať na izbovú teplotu.
Akumulátor nezaskočí s počutelným cvaknutím.	Zaskakovacie výčnelky na akumulátore sú znečistené.	▶ Očistite zaskakovacie výčnelky a znovu vložte akumulátor.



Porucha	Možná príčina	Riešenie
1 LED bliká. Náradie nefunguje.	Akumulátor je vybitý.	► Vymeňte akumulátor a vybitý akumulátor nabite.
	Akumulátor je príliš studený alebo príliš horúci.	► Nechajte akumulátor pomaly zahriať na izbovú teplotu, alebo ho nechajte ochladnúť.
Všetky 4 LED blikajú. Náradie nefunguje.	Náradie je preťažené.	► Vypnite a opäť zapnite náradie. Potom nechajte náradie cca 30 sekúnd bežať na voľnobežných otáčkach.
Príliš veľké vytváranie tepla v náradí alebo v akumulátore.	Elektrická porucha	► Ihneď vypnite náradie, vyberte akumulátor, prezrite ho, nechajte ho ochladnúť a kontaktujte servis firmy <b>Hilti</b> .
Náradie nedosahuje plný výkon.	Vložený je akumulátor s nízkou kapacitou.	► Použite akumulátor s dostatočnou kapacitou.
Motor sa nezabrzdí.	Akumulátor je vybitý.	► Vymeňte akumulátor a vybitý akumulátor nabite.
	Náradie je krátkodobo preťažené.	► Vypnite a opäť zapnite náradie.
Náradie silne vibruje.	Vkladací nástroj nie je kompatibilný s náradím.	► Používajte len vkladacie nástroje, ktoré sú uvedené v technických údajoch.
	Vkladací nástroj je poškodený, nerovnomerný alebo nevyvážený.	► Používajte iba bezchybné vkladacie nástroje.
	Zariadenie je chybné	► Ak je možné ako príčinu vylúčiť vkladací nástroj, obráťte sa na servis <b>Hilti</b> .

## 10 Likvidácia

Náradie značky **Hilti** je z veľkej časti vyrobené z recyklovateľných materiálov. Predpokladom na opakované využitie recyklovateľných materiálov je ich správne separovanie. V mnohých krajinách firma **Hilti** odoberie vaše staré náradie na recykláciu. Opýtajte sa na to v zákaznickom servise firmy **Hilti** alebo u svojho obchodného poradcu.

### Likvidácia akumulátorov

Neodborná likvidácia akumulátorov môže ohroziť zdravie unikajúcimi plynmi alebo kvapalinami.

- Poškodené akumulátory neposielajte!
- Prípojky zakryte nevodivým materiálom, aby ste zabránili skratom.
- Akumulátory likvidujte tak, aby sa nedostali do rúk detí.
- Akumulátor odovzdajte vo vašom **Hilti Store** alebo sa obráťte na príslušnú prevádzku na likvidáciu odpadu.



- Elektrické prístroje, elektronické zariadenia a akumulátory nedávajte do domáceho odpadu!

## 11 RoHS (smernica o obmedzení používania určitých látok v elektrických a elektronických zariadeniach)

Pod nasledujúcim odkazom nájdete tabuľku nebezpečných látok: [qr.hilti.com/r11229136](http://qr.hilti.com/r11229136).

Odkaz na tabuľku RoHS nájdete na konci tejto dokumentácie ako QR kód.

## 12 Záruka výrobcu

- Ak máte akékoľvek otázky týkajúce sa záručných podmienok, obráťte sa, prosím, na nášho lokálneho partnera spoločnosti **Hilti**.



# Eredeti használati utasítás

## 1 A dokumentáció adatai

### 1.1 A dokumentumról

- Üzembe helyezés előtt olvassa el ezt a dokumentumot. Ez a biztonságos munkavégzés és a hibamentes kezelés előfeltétele.
- Vegye figyelembe a dokumentumban és a terméken található biztonsági utasításokat és figyelmeztetéseket.
- Ezt a használati utasítást mindig tárolja a termék közelében, és a gépet csak ezzel az utasítással együtt adja tovább harmadik személynek.

### 1.2 Jelmagyarázat

#### 1.2.1 Figyelmeztetések

A figyelmeztetések a termék használata során előforduló veszélyekre hívják fel a figyelmet. A következő figyelmeztetéseket használjuk:

#### VESZÉLY

##### VESZÉLY !

- ▶ Súlyos testi sérüléshez vagy halálhoz vezető közvetlen veszély esetén.

#### FIGYELMEZTETÉS

##### FIGYELMEZTETÉS !

- ▶ Ezzel a szóval hívjuk fel a figyelmet egy olyan lehetséges veszélyre, amely súlyos személyi sérüléshez vagy halálhoz vezethet.





#### VIGYÁZAT

##### VIGYÁZAT !

- ▶ Ezzel a szóval hívjuk fel a figyelmet az olyan lehetséges veszélyhelyzetre, amely könnyebb személyi sérüléshez, vagy dologi kárhoz vezethet.


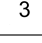
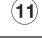

#### 1.2.2 A dokumentációban használt szimbólumok

A következő szimbólumokat használjuk a jelen dokumentációban:

	Használat előtt olvassa el a használati utasítást
	Alkalmazási útmutatók és más hasznos tudnivalók
	Újrahasznosítható anyagokkal való bánásmód
	Az elektromos gépeket és akkukat ne dobja a háztartási szemétkosárba

#### 1.2.3 Az ábrákon használt szimbólumok

Az ábrákon a következő szimbólumokat használjuk:

	Ezek a számok a jelen utasítás elején található ábrákra vonatkoznak
	A számozás a munkalépések sorrendjét mutatja képekben, és eltérhet a szövegben található munkalépések számozásától
	Az <b>áttekintő</b> ábrában használt pozíciószámok a <b>termék áttekintésére szolgáló</b> szakasz jelmagyarázatában lévő számokra utalnak
	Ez a jel hívja fel a figyelmét arra, hogy a termék használata során különös odafigyeléssel kell eljárnia.



### 1.3 Termékhez kötődő szimbólumok

#### 1.3.1 Szimbólumok a terméken

A terméken a következő szimbólumokat használhatjuk:

	A készülék NFC technológiás, iOS és Android platformokkal kompatibilis adatátvitelhez használható.
	A használt <b>Hilti</b> Li-ion akku típusorozata. Vegye figyelembe a <b>Rendeltetésszerű használat</b> fejezetben közölt adatokat.
Li-Ion	Li-ion akku
	Az akkut soha ne használja ütőszerszámként.
	Ügyeljen arra, hogy ne ejtse le az akkut. Ne használjon olyan akkut, amelyet ütés ért vagy egyéb módon sérült.
	Egyenáram
	Viseljen védőszemüveget!
n	Névleges fordulatszám
/min	Fordulat percenként
RPM	Fordulat percenként
	Átmérő

### 1.4 Termékinformációk

A termékeket kizárólag szakember általi használatra szánták és a gépet csak engedéllyel rendelkező, szakképzett személy használhatja, javíthatja. Ezt a személyt minden lehetséges kockázati tényezőről tájékoztatni kell. A termék és tartozékai könnyen veszélyt okozhatnak, ha nem képzett személy dolgozik velük, vagy nem rendeltetésszerűen használják őket.

A típusjelölés és a sorozatszám a típustáblán található.

- ▶ Jegyezze fel a sorozatszámot a következő táblázatba. Amennyiben kérdéssel fordul a képviselőünkhöz vagy a szervizhez, szüksége lesz ezekre a termékadatokra.

#### Termékadatok

Akkus egyenescsiszoló	GDG 6-A22
Generáció	01
Sorozatszám	

### 1.5 Megfelelőségi nyilatkozat

Kizárólagos felelősségünk tudatában kijelentjük, hogy ez a termék megfelel az érvényben lévő irányelveknek és szabványoknak. A megfelelőségi nyilatkozat másolatát a dokumentáció végén találja.

A műszaki dokumentáció helye:

**Hilti** Entwicklungsgesellschaft mbH | Zulassung Geräte | Hiltistraße 6 | 86916 Kaufering, DE

## 2 Biztonság

### 2.1 Általános biztonsági tudnivalók az elektromos kéziszerszámkokhoz

**⚠ FIGYELMEZTETÉS** Olvasson el minden biztonsági tudnivalót és utasítást, illusztrált anyagot és műszaki adatot, amelyet ehhez az elektromos kéziszerszámkhoz mellékeltek. Az alábbi biztonsági tudnivalók és utasítások betartásának elmulasztása áramütéshez, tűzhöz és/vagy súlyos testi sérüléshez vezethet.

**Őrizzen meg minden biztonsági tudnivalót és utasítást a jövőbeni használathoz.**



A biztonsági utasításokban használt „elektromos kéziszerszám” fogalom hálózatról üzemelő elektromos kéziszerszámokra (tápkábelrel együtt érve) és akkumulátoros elektromos kéziszerszámokra (tápkábel nélkül) vonatkozik.

### Munkahelyi biztonság

- ▶ **Tartsa tisztán a munkahelyét és jól világítsa meg.** Rendetlen munkahelyek és megvilágítatlan munkaterületek balesetekhez vezethetnek.
- ▶ **Ne dolgozzon az elektromos kéziszerszámmal olyan robbanásveszélyes környezetben, ahol éghető folyadékok, gázok vagy porok vannak.** Az elektromos kéziszerszámok szikrákat bocsáthatnak ki, amelyek meggyújthatják a port vagy a gyúlékony gőzöket.
- ▶ **Tartsa távol a gyerekeket és az idegen személyeket a munkahelytől, ha az elektromos kéziszerszámot használja.** Ha elvonják a figyelmét a munkáról, könnyen elvesztheti az uralmát a berendezés felett.

### Elektromos biztonsági előírások

- ▶ **Az elektromos kéziszerszám csatlakozódugójának illeszkednie kell a dugaszolóaljzatba. A csatlakozódugót semmilyen módon sem szabad megváltoztatni. Védőföldeléssel ellátott elektromos kéziszerszámokhoz ne használjon csatlakozóadaptert.** Az eredeti csatlakozódugó és a hozzá illeszkedő csatlakozóaljzat csökkenti az áramütés kockázatát.
- ▶ **Ne érjen hozzá földelt felületekhez, például csövekhez, fűtőtestekhez, tűzhelyekhez és hűtőszekrényekhez.** Az áramütés veszélye megnövekszik, ha a teste le van földelve.
- ▶ **Tartsa távol az elektromos kéziszerszámokat az esőtől és a nedvesség hatásaitól.** Ha víz hatol be az elektromos kéziszerszámba, az növeli az áramütés kockázatát.
- ▶ **Ne használja a csatlakozókábelt a rendeltetésétől eltérő célokra, vagyis az elektromos kéziszerszámot soha ne hordozza vagy akassza fel a kábelnél fogva, és soha ne húzza ki a hálózati csatlakozódugót a kábelnél fogva. Tartsa távol a csatlakozókábelt hőforrásoktól, olajtól, éles élektől és sarkaktól, mozgó alkatrészekről.** A sérült vagy összetekert csatlakozókábel növeli az áramütés kockázatát.
- ▶ **Ha az elektromos kéziszerszámmal szabadban dolgozik, akkor csak a szabadban való használatra engedélyezett hosszabbítókábelt használjon.** A kültérre is alkalmas hosszabbítókábel használata csökkenti az áramütés kockázatát.
- ▶ **Használjon hibaáram-védőkapcsolót, ha az elektromos kéziszerszám nedves környezetben történő üzemeltetése nem kerülhető el.** A hibaáram-védőkapcsoló használata csökkenti az áramütés kockázatát.

### Személyi biztonsági előírások

- ▶ **Munka közben mindig figyeljen, ügyeljen arra, amit csinál, és meggondoltan dolgozzon az elektromos kéziszerszámmal. Ne használja az elektromos kéziszerszámot, ha fáradt, illetve ha kábítószert, alkohol vagy gyógyszer hatása alatt áll.** Az elektromos kéziszerszámmal végzett munka közben már egy pillanatnyi figyelmetlenség is komoly sérülésekhez vezethet.
- ▶ **Viseljen személyi védőfelszerelést, és mindig viseljen védőszemüveget.** Az elektromos kéziszerszám alkalmazásának megfelelő személyi védőfelszerelések, úgymint porvédő álarc, csúszásbiztos védőcipő, védősapka és fülvédő használata csökkenti a személyi sérülések kockázatát.
- ▶ **Kerülje az elektromos kéziszerszám akaratlan üzembe helyezését. Mielőtt az elektromos kéziszerszámot az elektromos hálózatra és/vagy az akkumulátorra csatlakoztatja, vagy felveszi, ill. szállítja, győződjön meg arról, hogy a gép ki van kapcsolva.** Ha az elektromos kéziszerszám felemelése közben az ujját a kapcsolón tartja, vagy ha a gépet bekapcsolt állapotban csatlakoztatja az áramforráshoz, az balesethez vezethet.
- ▶ **Az elektromos kéziszerszám bekapcsolása előtt feltétlenül távolítsa el a beállító szerszámokat vagy csavarkulcsokat.** Az elektromos kéziszerszám forgó részeiben felejtett beállító szerszám vagy csavarkulcs sérüléseket okozhat.
- ▶ **Kerülje el a normálistól eltérő testtartást. Ügyeljen arra, hogy mindig biztosan álljon és megtartsa az egyensúlyát.** Így az elektromos kéziszerszám felett váratlan helyzetekben is jobban tud uralkodni.
- ▶ **Viseljen megfelelő munkaruhát. Ne viseljen bő ruhát vagy ékszereket. Tartsa távol a haját, a ruháját és a kesztyűjét a mozgó részekről.** A bő ruhát, az ékszereket és a hosszú haját a mozgó alkatrészek magukkal rántathatják.
- ▶ **Ha az elektromos kéziszerszámra fel lehet szerelni a por elszívásához és összegyűjtéséhez szükséges berendezéseket, ellenőrizze, hogy azok megfelelő módon hozzá vannak kapcsolva a szerszámhoz, és rendeltetésüknek megfelelően működnek.** Porelszívó egység használata csökkenti a munka során keletkező por veszélyes hatását.
- ▶ **Ne ringassa magát hamis biztonságérzetbe, és ne hagyja figyelmen kívül az elektromos kéziszerszám biztonsági előírásait, akkor sem, ha az elektromos kéziszerszámot hosszú ideje használja, és ezáltal jól ismeri.** A figyelmetlen kezelés a másodperc tört része alatt súlyos sérülésekhez vezethet.



### **Az elektromos kéziszerszám használata és kezelése**

- ▶ **Ne terhelje túl a gépet.** Munkájához csak az arra szolgáló elektromos kéziszerszámot használja. A megfelelő elektromos kéziszerszámmal a megadott teljesítménytartományon belül jobban és biztonságosan lehet dolgozni.
- ▶ **Ne használjon olyan elektromos kéziszerszámot, amelynek a kapcsolója elromlott.** Egy olyan elektromos kéziszerszám, amelyet nem lehet sem be-, sem kikapcsolni, veszélyes, és meg kell javíttatni.
- ▶ **A gép beállítása, a tartozékok cseréje vagy a gép lehelyezése előtt húzza ki a csatlakozódugót a csatlakozójelzőből és/vagy vegye ki a kivethető akkut a gépből.** Ez az elővigyázatossági intézkedés meggátolja a gép szándékolatlan üzembe helyezését.
- ▶ **A használaton kívüli elektromos kéziszerszámokat olyan helyen tárolja, ahol azokhoz gyerekek nem férhetnek hozzá. Ne hagyja, hogy olyan személyek használják az elektromos kéziszerszámot, akik nem ismerik a szerszámot, vagy nem olvasták el ezt az útmutatót.** Az elektromos kéziszerszámok veszélyesek, ha azokat gyakorlatlan személyek használják.
- ▶ **Mindig gondosan tartsa karban az elektromos kéziszerszámot és a tartozékokat.** Ellenőrizze, hogy a mozgó alkatrészek kifogástalanul működnek-e, nincsenek-e beszorulva, és nincsenek-e eltörve vagy megrongálódva olyan alkatrészek, amelyek hátrányosan befolyásolhatják az elektromos kéziszerszám működését. Használat előtt javíttassa meg a gép megrongálódott alkatrészeit. Sok balesetnek a rosszul karbantartott elektromos kéziszerszám az oka.
- ▶ **Tartsa tisztán és élesen a vágószerszámokat.** Az éles vágóélekkel rendelkező és gondosan ápolat vágószerszámok ritkábban ékelődnek be, és azokat könnyebben lehet vezetni és irányítani.
- ▶ **Az elektromos kéziszerszámokat, tartozékokat, betétszerszámokat stb. a jelen utasítások figyelembevételével használja.** Vegye figyelembe a munkafeltételeket és a kivitelezendő munka sajátosságait. Az elektromos kéziszerszám eredeti rendeltetésétől eltérő célokra való alkalmazása veszélyes helyzetekhez vezethet.
- ▶ **A markolatot és fogófelületeket tartsa száraz, tiszta, olaj- és zsírmentes állapotban.** A csúszós markolatok és fogófelületek nem teszik lehetővé az elektromos kéziszerszám biztonságos üzemeltetését és ellenőrzését az előre nem látható helyzetekben.

### **Akkumulátoros szerszám használata és kezelése**

- ▶ **Az akkumulátort csak a gyártó által ajánlott töltőberendezésben töltsse fel.** Ha egy bizonyos akkumulátortípus feltöltésére szolgáló töltőberendezésben egy másik akkumulátort próbál feltölteni, tűz keletkezhet.
- ▶ **Az elektromos kéziszerszámban csak az ahhoz tartozó akkumulátort használja.** Más akkumulátorok használata személyi sérüléseket és tüzet okozhat.
- ▶ **Tartsa távol a használaton kívüli akkumulátort irodai kapcsoktól, pénzerméktől, kulcsoktól, szögektől, csavaroktól és más kisméretű fémtárgyaktól, amelyek áthidalhatják az érintkezőket.** Az akkumulátor érintkezői közötti rövidzárlat égési sérüléseket vagy tüzet okozhat.
- ▶ **Hibás alkalmazás esetén az akkumulátorból folyadék léphet ki.** Kerülje el az érintkezést a folyadékkal. Ha véletlenül mégis érintkezésbe került az akkumulátorfolyadékkal, azonnal öblítse le vízzel az érintett felületet. Ha a folyadék a szemébe jutott, keressen fel egy orvost. A kilépő akkumulátorfolyadék irritációkat vagy égéses bőrsérüléseket okozhat.
- ▶ **Ne használjon sérült vagy módosított akkut.** A sérült vagy módosított akku előre nem látható módon viselkedhetnek és tüzet, robbanást vagy sérülésveszélyt okozhatnak.
- ▶ **Az akkut ne tegye ki tűz és magas hőmérséklet hatásának.** A tűz és a 130 °C (265 °F) feletti hőmérséklet robbanást okozhat.
- ▶ **Kövesse a töltésre vonatkozó összes utasítást, és az akkut vagy akkus szerszámot soha ne töltsse a használati utasításban megadott hőmérséklet-tartományon kívül.** A nem megfelelő vagy a megengedett hőmérséklet-tartományon kívül történő töltés az akku meghibásodásához és tűzveszélyhez vezethet.

### **Szerviz**

- ▶ **Az elektromos kéziszerszámot csak szakképzett személyzet javíthatja, kizárólag eredeti pótalkatrészek felhasználásával.** Ez biztosítja, hogy az elektromos kéziszerszám biztonságos maradjon.
- ▶ **Soha ne javítsa a sérült akkut.** Az akku javítását csak a gyártó által felhatalmazott ügyfélszolgálatok végezhetik.

## **2.2 Biztonsági előírások csiszoláshoz, csiszolópapírral történő csiszoláshoz, drótkéffel végzett munkálatokhoz, polírozáshoz maráshoz és daraboláshoz:**

- ▶ **Ez az elektromos kéziszerszám használható csiszolóként, csiszolópapírral felszerelt csiszolóként, drótkéfeként, polírozóként, maróként és darabológépként.** Vegye figyelembe a géppel együtt szállított biztonsági tudnivalókat, utasításokat, ábrákat és adatokat. A következő utasítások be nem tartása elektromos áramütést, tüzet okozhat és/vagy súlyos sérülésekhez vezethet.



- ▶ **Ne használjon olyan tartozékot, amelyet a gyártó nem kimondottan ehhez az elektromos kéziszerszámmal tervezett és ajánl.** Az, hogy a tartozékot rögzíteni tudja az elektromos kéziszerszámon, még nem garantálja a biztonságos használatot.
- ▶ **A betétszerszám megengedett fordulatszámának legalább olyan magasnak kell lennie, mint az elektromos kéziszerszámon feltüntetett legnagyobb fordulatszám.** A megengedettnél gyorsabb forgás következtében a tartozék eltörhet és lerepülhet.
- ▶ **A betétszerszám külső átmérőjének és vastagságának meg kell felelnie az elektromos kéziszerszám megadott méreteinek.** A hibásan méretezett betétszerszámokat nem lehet megfelelően védeni vagy kontrollálni.
- ▶ **A csiszolótárcsáknak, csiszolóhengereknek vagy egyéb tartozékoknak pontosan illeszkednie kell az Ön elektromos szerszámának csiszolóorsójára vagy befogójába.** Azok a betétszerszámok, amelyek nem pontosan illeszkednek az elektromos kéziszerszám befogójába, egyenetlenül forognak, erősen rezegnek, aminek következtében elvesztheti a gép fölötti ellenőrzést.
- ▶ **A tuskére rögzített tárcsákat, csiszolóhengereket, vágószerszámokat vagy egyéb tartozékokat teljesen be kell tolni a befogóba vagy a tokmányba.** A „túlyulásnak”, ill. a tuske szabadon lévő részének a csiszolótest és a tokmány között minimálisnak kell lennie. Ha a tuske nincs elég erősen befogva, vagy a csiszolótest túlságosan kiáll, akkor a betétszerszám kioldódhat és nagy sebességgel kirepülhet a gépből.
- ▶ **Ne használjon sérült betétszerszámokat.** Minden egyes alkalmazás előtt ellenőrizze a betétszerszámokat. Vizsgálja meg a csiszolótárcsákat a szilánkok lepattanása, repedések tekintetében, ellenőrizze, hogy a csiszolóhengeren vannak-e repedések, az nem kopott-e, vagy nem használódott-e el erősen, ellenőrizze, hogy a drótkéfe drótjai nem lazultak-e ki, vagy nem törtek-e ki. Ha az elektromos kéziszerszám vagy a betétszerszám leesik, ellenőrizze, hogy az megsérült-e a leesés során, vagy használjon sérülésmentes betétszerszámot. Mivel ellenőrizte és behelyezte a betétszerszámot, ügyeljen arra, hogy ön és az ön közelében lévő személyek a forgó betétszerszám síkján kívül tartózkodjanak, majd működtesse a gépet egy percig a legnagyobb fordulatszámon. A sérült betétszerszámok többnyire eltörnek ezalatt a tesztidőszak alatt.
- ▶ **Viseljen személyi védőfelszerelést.** Az alkalmazásnak megfelelően használjon arcvédőt, szemvédőt vagy védőszemüveget. Ha célszerű, akkor viseljen porvédő maszkot, hallásvédő felszerelést, védőkesztyűt vagy speciális kötényt, ami távol tartja az apró csiszolási- és anyagrészcskéket. Óvja a szemét az egyes alkalmazások során keletkező kirepülő idegen testektől. A por- vagy a légzőmaszk szűrő az alkalmazás során keletkező port. Ha hosszú ideig van kitéve erős zajnak, halláskárosodást szenvedhet.
- ▶ **Ügyeljen arra, hogy a többi személy biztonságos távolságra tartózkodjon az Ön munkaterületétől. Mindenkinek, aki belép a munkaterületre, egyéni védőfelszerelést kell viselnie.** A munkadarabról letört részek vagy a betétszerszám eltört darabjai szétrepülhetnek, és sérüléseket okozhatnak a közvetlen munkaterületen kívül is.
- ▶ **A gépet mindig csak a fogantyú szigetelt felületénél fogja meg, ha olyan munkát végez, amelynek során a betétszerszám rejtett elektromos vezetékét találhat el.** Ha a gép elektromos feszültségét vezető vezetékhez ér, akkor a gép fém részei feszültség alá kerülhetnek és ez elektromos áramütéshez vezethet.
- ▶ **Indításkor mindig erősen fogja meg az elektromos kéziszerszámot.** Teljes fordulatszámra gyorsulás közben a motor reakciónyomatéka miatt az elektromos kéziszerszám elfordulhat.
- ▶ **Ha lehetséges, használjon szorítókat a munkadarab rögzítéséhez. Soha ne használja úgy az elektromos kéziszerszámot, hogy egy kis munkadarabot az egyik kezében tart, a szerszámot pedig a másik kezében fogja.** Ha rögzíti a kisebb munkadarabokat, mindkét keze rendelkezésre áll, és így sokkal jobban tudja irányítani az elektromos kéziszerszámot. Kerek munkadarabok vágásakor, mint a fa dűbelek, rúdanyagok vagy csövek, a munkadarabok elgurulhatnak, és pedig a betétszerszám beszorulásához vezethet, amelynek következtében a betétszerszám kirepülhet Ön fele.
- ▶ **Soha ne tegye le az elektromos kéziszerszámot addig, míg a betétszerszám nem áll le teljesen.** A forgó betétszerszám hozzáérhet a felülethez, melyre helyezte, minek következtében elvesztheti az elektromos kéziszerszám fölötti uralmat.
- ▶ **A betétszerszámok cseréje vagy a gépen végzett beállítások után mindig húzza meg a befogók anyáját, a tokmányt vagy az egyéb rögzítőelemeket.** A laza rögzítőelemek váratlanul elállíthatódnak, ami az ellenőrzés elvesztéséhez vezethet; a rögzítetlen forgó komponensek nagy erővel kirepülnek.
- ▶ **Szállítás, mozgatás közben ne működtesse az elektromos kéziszerszámot.** A forgó betétszerszám elkaphatja a ruházatát, ha véletlenül hozzáér ahhoz, és a betétszerszám belefúródhat a testébe.
- ▶ **Tisztítsa rendszeresen az elektromos kéziszerszám szellőzőnyílásait.** A motor kompresszora port szív be a gépházba, a vastagon felgyülemllett fémpor elektromos veszélyt okozhat.
- ▶ **Ne használja az elektromos kéziszerszámot gyúlékony anyagok közelében.** A gépből kiugró szikra meggyújthatja ezeket az anyagokat.



- ▶ **Ne használjon olyan betétszerszámokat, amelyekhez folyékony hűtőanyag szükséges.** Víz vagy egyéb folyékony hűtőanyag használata elektromos áramütést okozhat.

### Visszacsapódás és a megfelelő figyelmeztetések

A gép visszacsapódása egy forgó betétszerszám, például egy csiszolótárcsa, csiszolótányér, drótkefe stb. beakadása vagy blokkolása következtében fellépő hirtelen reakció. A betétszerszám beakadása vagy blokkolása a forgó betétszerszám hirtelen leállítását okozza. Ezáltal a kontrollálatlan elektromos szerszám a blokkolásban lévő betétszerszám forgásirányával ellentétes irányba halad.

Ha pl. egy csiszolótárcsa megakad vagy blokkolódik a munkadarabban, akkor a munkadarabba belemerülő csiszolótárcsa széle beakadhat, ennek következtében a csiszolótárcsa kitérhet vagy visszacsapódást okozhat. Ekkor a csiszolótárcsa a gépet kezelő személy felé vagy tőle távolodó irányba mozoghat, aszerint, hogy a blokkolásban található tárcsa milyen irányban forog. Közben a csiszolótárcsa eltérhet.

A visszacsapódás az elektromos kéziszerszám helytelen vagy hibás használatának következménye. Megfelelő óvintézkedésekkel, amelyekről a későbbiekben olvashat, a gép visszacsapódása megakadályozható.

- ▶ **Tartsa biztosan az elektromos kéziszerszámot, és vegyen fel a testével és karjaival olyan pozíciót, amelyben fel tudja fogni a gép visszacsapódásából adódó erőket.** A kezelőszemély a megfelelő óvintézkedések segítségével uralni tudja a gép visszacsapódásából adódó erőket.
- ▶ **Különösen óvatosan dolgozzon sarkok, éles peremek stb. közelében. Akadályozza meg, hogy a betétszerszám visszapattanjon a munkadarabról, vagy hogy beszoruljon abba.** A sarkoknál, az éles peremekenél vagy visszapattanáskor a forgó betétszerszám hajlamos a beszorulásra. Ez a gép fölötti uralom elvesztését vagy a gép visszacsapódását okozza.
- ▶ **Ne használjon fogazott fűrészlapot.** Az ilyen betétszerszám gyakran visszacsapódást okoz, vagy az elektromos kéziszerszám fölötti uralom elvesztéséhez vezet.
- ▶ **A betétszerszámot mindig ugyanabban az irányban vezesse az anyagban, ez az az irány, amelyben a vágóél elhagyja az anyagot (ez az irány a forgácsok kidobási irányának felel meg).** Ha az elektromos kéziszerszámot nem a helyes irányban vezetik az anyagban, akkor a betétszerszám vágóéle kitér az anyagból, ez pedig az elektromos kéziszerszámot az elötölés irányába húzza.
- ▶ **Ha turbómarókat, darabolótárcsákat, nagy sebességű marószerszámokat vagy keményfém marószerszámokat használ, mindig rögzítse a munkadarabot.** Ezek a szerszámok már akkor is beakadhatnak, ha csak egy kissé futnak ferdén a horonyban, és így visszarúgást okozhatnak. Ha a darabolótárcsák elakadnak, rendszerint szét is törnek. A turbómarók, nagy sebességű marószerszámok vagy keményfém marószerszámok elakadásakor a szerszám kiugorhat a horonyból, és ez ahhoz vezethet, hogy a kezelő elveszíti az uralmát az elektromos szerszám fölött.

### Különleges biztonsági tudnivalók csiszoláshoz és daraboláshoz:

- ▶ **Kizárólag az ön elektromos kéziszerszámához jóváhagyott csiszolótesteket használjon, és csak az ajánlott alkalmazási lehetőségeknek megfelelően használja őket.** Példa: Soha ne csiszoljon a darabolótárcsa oldalfelületével. A darabolótárcsát a tárcsa élével történő anyagleghordásra tervezték. Ha ezt a csiszolótestet oldalirányú erőhatások érik, akkor azok széttörhetik a tárcsát.
- ▶ **A kúpos és egyenes menetes köszörűkövekhez csak olyan tuskéket használjon, amelyeknek megfelelő a mérete és nincs letörés a válluknál.** A megfelelő tuskék csökkentik a törés esélyét.
- ▶ **Kerülje el a darabolótárcsa blokkolását vagy a túl nagy rászorítóerőt. Ne végezzen túlságosan mély vágásokat.** A darabolótárcsa túlterhelése növeli az igénybevételt, valamint a tárcsák hajlamoságát a megakadásra vagy a blokkolásra. Ezáltal megnő a visszacsapódás vagy a csiszolótest törésének lehetősége.
- ▶ **Soha ne tartsa a kezét a forgó darabolótárcsa előtti és mögötti tartományban.** Ha a darabolótárcsát a munkadarabban a kezétől elfelé mozgatja, akkor visszacsapódás esetén az elektromos kéziszerszám a forgó tárcsájával egyenesen Ön felé ügördik.
- ▶ **Ha a darabolótárcsa beszorul vagy Ön megszakítja a munkát, kapcsolja ki a gépet, és tartsa nyugodtan addig, míg a tárcsa leáll. Soha ne próbálja meg a még forgó darabolótárcsát kihúzni a vágatból, egyébként a gép visszacsapódhat.** Állapítsa meg és szüntesse meg a beszorulás okát.
- ▶ **Ne kapcsolja be újra az elektromos kéziszerszámot addig, amíg az a munkadarabban van. Mielőtt nagy odafigyeléssel folytatódná a vágást, működtesse a darabolótárcsát addig, amíg az eléri a teljes fordulatszámot.** Ellenkező esetben a tárcsa megakadhat, kiugorhat a munkadarabból, vagy a gép visszacsapódását okozhatja.
- ▶ **A beragadt darabolótárcsa a gép visszacsapódását okozhatja. Ennek elkerülése érdekében támassza ki a lemezeket vagy a nagyobb munkadarabokat.** A nagyobb munkadarabok behajolhatnak saját súlyuk alatt. A munkadarabot a tárcsa mindkét oldalán alá kell támasztani, mind a daraboláshoz közeli, mind az él felőli oldalon.
- ▶ **Legyen különösen óvatos, ha meglévő falakon vagy más, be nem látható területen végez merülővágást.** A bemerülő darabolótárcsa a gép visszacsapódását okozhatja gáz- vagy vízvezetéken, elektromos vezetéken, illetve más objektumon végzett vágás közben.





### Kiegészítő biztonsági előírások drótkéfével végzett munkálatokhoz

- ▶ Vegye figyelembe, hogy a drótkéfe a szokásos használat közben is veszít a drótkéféből. Ne terhelje túl a drótkéfe drótjait túl magas rászorítóerő révén. A lerepülő drótdarabok könnyen keresztülhatolhatnak a vékony ruhán és/vagy a bőrön.
- ▶ Használat előtt járassa a keféket legalább egy percig üzemi fordulatszámom. Ügyeljen arra, hogy ez alatt az idő alatt más személy ne tartózkodjon a kefével egy vonalban. A bejárati idő alatt laza drótdarabok repülhetnek ki.
- ▶ A forgó drótkéfék magától elfelé tartsa. Az ilyen kefékkel végzett munka közben kis részecskék és apró drótdarabok repülhetnek ki nagy sebességgel, és áthatolhatnak a bőrön.

### 2.3 Akkumulátoros készülékek gondos használata és kezelése

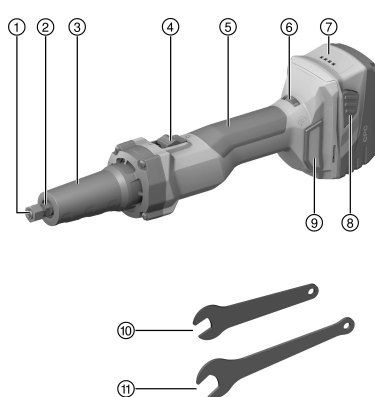
- ▶ Vegye figyelembe a Li-ion akkumulátorok szállítására, tárolására és üzemeltetésére vonatkozó különleges irányelveket.
- ▶ Tartsa távol az akkut a magas hőmérséklettől és a tüztől.
- ▶ Az akkut tilos szétszedni, összepréselni, 80 °C fölé hevíteni vagy elégetni.
- ▶ Ne használjon vagy töltsön olyan akkut, amelyet ütés ért, egy méternél magasabbról leest, vagy más módon sérült. Ilyen esetben feltétlenül forduljon a **Hilti Szervízhez**.
- ▶ Ha érintésre túl forró az akku, akkor lehet, hogy meghibásodott. Állítsa a terméket egy nem gyúlékony helyre, éghető anyagoktól elegendő távolságba, ahol megfigyelhető, és hagyja lehűlni. Ilyen esetben feltétlenül forduljon a **Hilti Szervízhez**.

### 2.4 Kiegészítő biztonsági tudnivalók

- ▶ Használat közben úgy tartsa a terméket, hogy a csiszolópor, a szikrák, a betétszerszám vagy a munkadarab esetleges törésekor kirepülő darabok ne az Ön testét találják el.
- ▶ A betétszerszám cseréjéhez csak jól illeszkedő és sértetlen kulcsot használjon.
- ▶ A betétszerszámoknak kifogástalanul, ütésmentesen kell forognia. Ne használjon nem tökéletesen ütésmentes betétszerszámokat.
- ▶ A forgácsokat és a szilánkokat soha ne próbálja meg eltávolítani, ha a termék üzemel. Kapcsolja ki a terméket.
- ▶ A gépet csak a munkaterületen kapcsolja be.
- ▶ Szerszámcsere során viseljen védőkesztyűt, mert a betétszerszám és a szerszámbe fogó a használat során felmelegedhet.
- ▶ Tartson munkaszüneteket, és végezzen lazító- és ujjgyakorlatokat ujjainak jobb vérellátása érdekében. Hosszabb ideig tartó munkavégzés esetén a rezgések zavart okozhatnak az ujjak, a kéz és a csukló véredényeiben vagy idegrendszerében.
- ▶ Gondoskodjon a munkaterület jó szellőzéséről és szükség esetén viseljen az adott porhoz megfelelő légzőmaszkot.
- ▶ Tisztítsa meg a betétszerszám szárát, mielőtt befogja a gépbe. Bizonyosodjon meg arról, hogy a betétszerszám szárát legalább 20 mm hosszan befogja a befogó. A szerszám behelyezése után mindig húzza meg a feszítőanyát. A nem megfelelően rögzített betétszerszámok üzem közben kilazulhatnak és kirepülhetnek.
- ▶ Csak olyan betétszerszámokat használjon, amelyek megfelelnek a műszaki adatoknál megadott adatoknak.



#### 3.1 Termékáttekintés



- ① Feszítőanya befogóval
- ② Orsó
- ③ Nyak / első markolat
- ④ Reteszeltető be-/kikapcsoló gomb
- ⑤ Markolat
- ⑥ Beállítókerék a fordulatszámhoz
- ⑦ Akku
- ⑧ Akkukioldó gomb
- ⑨ Porszűrő
- ⑩ Kis kulcs, 12 mm
- ⑪ Nagy kulcs, 17 mm

#### 3.2 Rendeltetésszerű használat

Az ismertetett termék egy egyenescsiszoló. A termék fémek megmunkálásához készült. A termék csiszolásra és darabolásra, drótkéfékkel végzett munkákhoz, polírozáshoz és maráshoz használható.

Kizárólag olyan betétszámokat használjon, amelyek szárátmérője megfelelő a beépített befogóhoz. Vegye figyelembe a műszaki adatoknál található adatokat.

A termék csak száraz, víz nélküli használatra alkalmas.

- Ehhez a termékhez csak **Hilti B 22** típusorozatú Li-ion akkumulátorokat használjon.
- Ezekhez az akkukhoz csak a **Hilti** által jóváhagyott töltőkészülékeket használjon. További információkat a **Hilti Store** helyeken vagy a **www.hilti.group** weboldalon talál.

#### 3.3 Szállítási terjedelem

Egyenescsiszoló, 2 kulcs, használati utasítás

A termékéhez jóváhagyott további rendszertartozékokat a **Hilti Store** helyen vagy a következő oldalon talál: **www.hilti.group**

#### 3.4 A Li-ion akku töltöttségének kijelzője

A Li-ion töltöttségének állapota a két akkumulátor-kireteszelőgomb egyikének megkoppintásakor megjelenik a kijelzőn.

Állapot	Jelentés
4 LED világít.	Töltöttségi állapot: 75% és 100% között
3 LED világít.	Töltöttségi állapot: 50% és 75% között
2 LED világít.	Töltöttségi állapot: 25% és 50% között
1 LED világít.	Töltöttségi állapot: 10% és 25% között
1 LED villog.	Töltöttségi állapot: < 10%

Munkavégzés közben és közvetlenül annak befejezését követően nem lehet lekérdezni a töltési állapotot. Az akkumulátor töltési állapotát kijelző LED-ek villogása esetén vegye figyelembe a Hibakeresés című fejezetben leírt tudnivalókat.

### 4 Műszaki adatok

Az EPTA Procedure 01 szerinti tömeg akkuval B22/8.0	2,6 kg
Névleges fordulatszám	10 000 ford./perc ... 25 000 ford./perc



Betétszerszám szükséges minimális fordulatszáma		≥ 25 000 ford./perc
Betétszerszám megmunkáló átmérője		≤ 55 mm
Betétszerszám szárátmérője	Befogó, 6 mm	6 mm
	Befogó, 1/4 col	1/4 in
Az orsó kulcsnyílása		12 mm
A feszítőanya kulcsnyílása		17 mm
Tárolási hőmérséklet		-20 °C ... 70 °C
Környezeti hőmérséklet működés közben		-17 °C ... 60 °C

#### 4.1 Zajinformációk és rezgési értékek az EN 62841 szabvány szerint

A jelen útmutatókban megadott hangnyomás- és rezgési értékeket egy szabványosított mérési eljárás keretében mértük meg, és alkalmasak elektromos kéziszerszámok egymással történő összehasonlítására. Az értékek emellett alkalmasak az expozíció előzetes megbecslésére.

A megadott adatok az elektromos szerszám fő alkalmazási területeire vonatkoznak. Ha az elektromos kéziszerszámot más célra, eltérő betétszerszámokkal használják, vagy nem megfelelően tartják karban, akkor az adatok eltérőek lehetnek. Ez jelentősen megnövelheti az expozíciókat a munkaidő teljes időtartama alatt. Az expozíció pontos megbecsléséhez azokat az időszakokat is figyelembe kell venni, amikor a gépet lekapcsolták, vagy a gép ugyan működik, de ténylegesen nincs használatban. Ez jelentősen csökkentheti az expozíciókat a munkaidő teljes időtartama alatt.

Hozzon kiegészítő intézkedéseket a kezelő védelme érdekében a hang és/vagy a rezgés hatásai ellen, mint például: Elektromos kéziszerszámok és betétszerszámok karbantartása, a gépkezelő kezének melegen tartása, a munkafolyamatok megszervezése.

#### Zajértékek

Kibocsátási hangnyomásszint ( $L_{pA}$ )	76 dB(A)
Hangnyomásszint bizonytalanság ( $K_{pA}$ )	3 dB(A)
Hangteljesítmény ( $L_{WA}$ )	87 dB(A)
Hangteljesítményszint bizonytalanság ( $K_{WA}$ )	3 dB(A)

#### Vibrációs értékek

Rezgéskibocsátási érték ( $a_h$ ), függ a betétszerszám átmérőjétől	< 25 mm	0,7 m/s <sup>2</sup>
	25 ... < 50 mm	15,9 m/s <sup>2</sup>
	50 ... 55 mm	22,2 m/s <sup>2</sup>
Bizonytalanság (K)		1,5 m/s <sup>2</sup>

#### 4.2 Akku

Akku üzemi feszültsége	21,6 V
Környezeti hőmérséklet működés közben	-17 °C ... 60 °C
Tárolási hőmérséklet	-20 °C ... 40 °C
Akkuhőmérséklet a töltés kezdetekor	-10 °C ... 45 °C

## 5 A munkahely előkészítése

### VIGYÁZAT

**Sérülésveszély szándékolatlan elindulás miatt!**

- ▶ Az akku behelyezése előtt győződjön meg arról, hogy a vonatkozó termék ki van kapcsolva.
- ▶ A gép beállítása vagy az alkatrészek cseréje előtt vegye ki az akkut.

Vegye figyelembe a dokumentumban és a terméken található biztonsági utasításokat és figyelmeztetéseket.

#### 5.1 Az akku töltése

1. A töltés előtt olvassa el a töltőkészülék használati utasítását.
2. Ügyeljen arra, hogy az akku és a töltőkészülék érintkezői tiszták és szárazak.



3. Az akkut a megengedett töltőberendezésben töltsse fel.

## 5.2 Az akku behelyezése

### VIGYÁZAT

#### Sérülésveszély rövidzárlat vagy leeső akku miatt!

- ▶ Az akku behelyezése előtt győződjön meg arról, hogy az akkuhoz és a termék érintkezőihez nem ér hozzá idegen tárgy.
- ▶ Győződjön meg arról, hogy az akku mindig megfelelően rögzül.

1. Az első üzembe helyezés előtt töltsse fel teljesen az akkut.
2. Helyezze az akkut a készüléktartóba, hogy az hallhatóan bereteszeljen.
3. Ellenőrizze az akku biztos illeszkedését.

## 5.3 Az akku eltávolítása

1. Nyomja meg az akku kioldógombjait.
2. Húzza ki az akkut a gépből.

## 5.4 Betétszerszám cseréje

### FIGYELEM

#### Sérülésveszély az üres befogó megsérülhet, ha meghúzzák a feszítőanyát.

- ▶ Soha ne húzza meg a feszítőanyát, ha nincs behelyezve betétszerszám.

### VIGYÁZAT

#### Sérülés és károsodás veszélye az ütő vagy károsodott betétszerszám miatt.

- ▶ Ne használjon sérült betétszerszámokat. A munka megkezdése előtt ellenőrizze, hogy az egyenescsiszoló csekély vibrációval működik-e.

1. Tartsa meg az orsót a kis kulccsal, és oldja a befogót a nagy kulccsal.
2. Húzza ki a betétszerszámot a befogóból.
3. Dugja be a betétszerszám szárát a befogóba, amennyire csak lehetséges.
4. Az L<sub>0</sub> belső szárméret maximum 10 mm lehet. A betétszerszám szárát legalább 20 mm mélyen be kell helyezni a befogóba.
5. Tartsa meg az orsót a kis kulccsal, és húzza meg a feszítőanyát a nagy kulccsal.
6. Ellenőrizze a betétszerszám biztonságos tartását.

## 6 Üzemeltetés

Vegye figyelembe a dokumentumban és a terméken található biztonsági utasításokat és figyelmeztetéseket.

### 6.1 Bekapcsolás

1. Nyomja meg a be-/kikapcsoló gomb hátsó részét.
2. Nyomja előre a be-/kikapcsoló gombot.
  - ▶ A motor jár.
3. Reteszelve a be-/kikapcsoló gombot.

### 6.2 Munkavégzés

1. Kapcsolja be a terméket. → Oldal 80
2. Állítsa be a fordulatszám beállítókerekével a betétszerszámhoz és a tervezett alkalmazási célhoz megfelelő fordulatszámot.
3. Mindig csak a betétszerszám megmunkálásra szolgáló felületével dolgozzon. Példa: Soha ne csiszoljon a darabolótárcsa oldalfelületével. A darabolótárcsát a tárcsa élével történő anyaglehordásra tervezték.
4. Rögzítse a megmunkálni kívánt munkadarabot. Soha ne használja úgy az elektromos kéziszerszámot, hogy egy kis munkadarabot az egyik kezében tart, a szerszámot pedig a másik kezében fogja. Az egyenescsiszolót mindig két kézzel fogja az erre szolgáló markolatoknál.



5. Vezesse rá az egyenescsiszolót a munkadarabra. Mérsékelt nyomással dolgozzon, és a betétszámot ne nyomja az anyagba.

### 6.3 Kikapcsolás

- ▶ Nyomja meg a be-/kikapcsoló gomb hátsó részét.
  - ▶ A be-/kikapcsoló gomb KI pozícióba ugrik és a motor leáll.

## 7 Ápolás és karbantartás



### FIGYELMEZTETÉS

**Sérülésveszély behelyezett akku esetén !**

- ▶ Minden ápolási és karbantartási munka előtt vegye ki az akkut!

#### A gép ápolása

- Óvatosan távolítsa el a szilárdan tapadó szennyeződést.
- Száraz kefével tisztítsa meg óvatosan a szellőzőnyílásokat.
- A házat csak enyhén nedves kendővel tisztítsa. Ne használjon szilikon tartalmú ápolószert, mivel az károsíthatja a műanyag alkatrészeket.

#### A Li-ion akkuk ápolása

- Az akkut tartsa száraz, olaj- és zsírintes állapotban.
- A házat csak enyhén nedves kendővel tisztítsa. Ne használjon szilikon tartalmú ápolószert, mivel az károsíthatja a műanyag alkatrészeket.
- Kerülje a nedvesség behatolását.

#### Karbantartás

- Rendszeresen ellenőrizze a látható részeket sérülés, illetve a kezelőelemeket kifogástalan működés szempontjából.
- Sérülések és/vagy funkciózavar esetén ne működtesse a terméket. Azonnal javíttassa meg a **Hilti Szervizben**.
- Az ápolási és karbantartási munkák után minden védőfelszerelést szereljen fel, és ellenőrizze a gép működését.



A biztonságos üzemelés érdekében csak eredeti pótalkatrészeket és fogyóanyagokat használjon. Az általunk engedélyezett pótalkatrészeket, fogyóanyagokat és tartozékokat termékéhez megtalálja a **Hilti Store** helyeken vagy az alábbi címen: **www.hilti.group**.

### 7.1 A feszítőanya cseréje



### FIGYELEM

**Sérülésveszély** az üres befogó megsérülhet, ha meghúzzák a feszítőanyát.

- ▶ Soha ne húzza meg a feszítőanyát, ha nincs behelyezve betétszám.

1. Tartsa meg az orsót a kis kulccsal, és oldja a feszítőanyát a nagy kulccsal.
2. Adott esetben húzza ki a betétszámot a befogóból.
3. Szerelje le teljesen a befogót a feszítőanyával az egyenescsiszolóból.
4. Helyezze fel az új feszítőanyát a befogóval az orsóra, és csavarja fel lazán a feszítőanyát az orsóra. Ne húzza meg a feszítőanyát.

## 8 Akkumulátoros gépek szállítása és tárolása

#### Szállítás



### VIGYÁZAT

**Nem szándékos indítás szállításkor !**

- ▶ A terméket mindig behelyezett akku nélkül szállítsa.
- ▶ Vegye ki az akkukat.
- ▶ Az akkukat soha ne szállítsa ömlesztve.



- ▶ Hosszabb szállítást követően ellenőrizze a gép, a betétszámok és az akku sértetlenségét a használatba vétel előtt.

## Tárolás



### VIGYÁZAT

#### Véletlen károsodás hibás vagy kifolyó akkuk miatt. !

- ▶ A terméket mindig behelyezett akku nélkül tárolja.
- ▶ Lehetőleg hűvös, száraz helyen tárolja a gépet, a betétszámokat és az akkumulátort.
- ▶ Soha ne tárolja az akkumulátort tűző napon, fűtőtesten vagy üveglap mögött.
- ▶ A gépet, a betétszámokat és az akkut száraz helyen, gyermekek, valamint illetéktelen személyek számára nem hozzáférhető módon tárolja.
- ▶ Hosszabb tárolást követően ellenőrizze a gép, a betétszámok és az akku sértetlenségét a használatba vétel előtt.

## 9 Segítség zavarok esetén

Az ebben a táblázatban fel nem sorolt zavarok, illetve olyan zavarok esetén, amelyeket saját maga nem tud elhárítani, kérjük, forduljon a **Hilti** Szervizhez.

Üzemzavar	Lehetséges ok	Megoldás
Az akku a szokásosnál gyorsabban lemerül.	Nagyon alacsony környezeti hőmérséklet.	▶ Hagyja az akkut lassan szobahőmérsékletre felmelegedni.
A tartály nem rögzül hallható kattanással.	Az akku patentfülei szennyezettek.	▶ Tisztítsa meg a reteszeket, és helyezze be újra az akkut.
1 LED villog. A készülék nem működik.	Lemerült az akku. Az akku túl hideg vagy túl forró.	▶ Cserélje ki az akkut, és töltsse fel a lemerült akkut. ▶ Hagyja az akkut lassan szobahőmérsékletre felmelegedni vagy lehűlni.
Mind a 4 LED villog. A készülék nem működik.	A gép túlterhelt.	▶ Kapcsolja ki, majd újra be a gépet. Hagyja a gépet kb. 30 másodpercig üresjáratban működni.
Erős hőfejlődés a készülékben vagy az akkuban.	Elektromos hiba	▶ Kapcsolja ki azonnal a gépet, vegye ki az akkut, figyelje meg, hagyja lehűlni, majd lépjen kapcsolatba a <b>Hilti</b> Szervizzel.
A gép nem a teljes teljesítményen működik.	A behelyezett akku teljesítménye túl kicsi.	▶ Elegendő kapacitású akkut használjon.
A motor nem fékez.	Lemerült az akku. A gépet rövid ideig túlterhelés éri.	▶ Cserélje ki az akkut, és töltsse fel a lemerült akkut. ▶ Kapcsolja ki, majd újra be a gépet.
A gép erősen vibrál.	A betétszám nem kompatibilis a készülékkel. A betétszám károsodott, üt vagy kiegyensúlyozatlan. A készülék meghibásodott	▶ Csak olyan betétszámokat használjon, amelyek megfelelnek a műszaki adatoknál megadott értékeknek. ▶ Csak kifogástalan betétszámokat használjon. ▶ Ha kizárható, hogy a hibát a betétszám okozza, akkor forduljon a <b>Hilti</b> Szervizhez.

## 10 Ártalmatlanítás

A **Hilti** készülékek nagyrészt újrahasznosítható anyagokból készülnek. Az újrahasznosítás előtt az anyagokat gondosan szét kell válogatni. A **Hilti** sok országban már visszaveszi használt készülékét újrahasznosítás céljára. Kérdezze meg a **Hilti** ügyfélszolgálatot vagy kereskedelmi tanácsadóját.



## Az akku ártalmatlanítása

Az akku szakszerűtlen ártalmatlanítás esetén a kilépő gázok és folyadékok miatt egészségkárosító hatás jöhet létre.

- ▶ Sérült akkut ne küldjön csomagküldő szolgálatl!
- ▶ A csatlakozókat nem vezető anyaggal fedje le a rövidzárlat elkerülése érdekében.
- ▶ Az akkukat úgy ártalmatlanítsa, hogy azok ne kerülhessenek gyermekek kezébe.
- ▶ Az akkut **Hilti Store**-ban ártalmatlanítsa, vagy forduljon az illetékes hulladéklerakóhoz.



- ▶ Az elektromos kéziszerszámokat, elektromos készülékeket és akkukat ne dobja a háztartási szemétkbe!

## 11 RoHS (Veszélyes anyagok alkalmazásának korlátozásáról szóló irányelv)

A következő linken elérhető a veszélyes anyagok táblázata: [qr.hilti.com/r11229136](http://qr.hilti.com/r11229136).

A dokumentáció végén található QR-kódon keresztül elérhető a RoHS táblázat.

## 12 Gyártói garancia

- ▶ Kérjük, a garancia feltételeire vonatkozó kérdéseivel forduljon helyi **Hilti** partneréhez.

# Перевод оригинального руководства по эксплуатации

## 1 Указания к документации

### 1.1 Об этом документе



#### Импортер и уполномоченная изготовителем организация

- (RU) Российская Федерация  
АО "Хилти Дистрибьюшн ЛТД", 141402, Московская область, г. Химки, ул. Ленинградская, стр. 25
- (BY) Республика Беларусь  
222750, Минская область, Дзержинский район, Р-1, 18-й км, 2 (около д. Слободка), помещение 1-34
- (KZ) Республика Казахстан  
Республика Казахстан, индекс 050011, г. Алматы, ул. Пугачева 4
- (KG) Киргизская Республика  
ОсОО "Т AND Т", 720021, Кыргызстан, Бишкек, ул. Ибраимова 29 А
- (AM) Республика Армения  
ООО Эйч-Кон, Республика Армения, г. Ереван, ул. Бабаяна 10/1

Страна производства: см. маркировочную табличку на оборудовании.

Дата производства: см. маркировочную табличку на оборудовании.

Соответствующий сертификат можно найти по адресу: [www.hilti.ru](http://www.hilti.ru)

Специальных требований к условиям хранения, транспортировки и использования, кроме указанных в руководстве по эксплуатации, нет.

Срок службы изделия составляет 5 лет.

- Ознакомьтесь с этим документом перед началом работы. Это является залогом безопасной работы и бесперебойной эксплуатации.
- Соблюдайте указания по технике безопасности и предупреждающие указания, приводимые в данном документе и на изделии.
- Храните руководство по эксплуатации всегда рядом с электроинструментом и передавайте электроинструмент будущим владельцам только вместе с этим руководством.



## 1.2 Пояснение к знакам (условным обозначениям)

### 1.2.1 Предупреждающие указания

Предупреждающие указания служат для предупреждения об опасностях при обращении с машиной. Используются следующие сигнальные слова:

#### ОПАСНО

##### ОПАСНО !

- ▶ Общее обозначение непосредственной опасной ситуации, которая влечет за собой тяжелые травмы или смертельный исход.

#### ПРЕДУПРЕЖДЕНИЕ

##### ПРЕДУПРЕЖДЕНИЕ !

- ▶ Общее обозначение потенциально опасной ситуации, которая может повлечь за собой тяжелые травмы или смертельный исход.





#### ОСТОРОЖНО

##### ОСТОРОЖНО !

- ▶ Общее обозначение потенциально опасной ситуации, которая может повлечь за собой легкие травмы или повреждение оборудования.


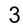


### 1.2.2 Символы, используемые в руководстве

В этом руководстве используются следующие символы:

	Перед использованием прочтите руководство по эксплуатации.
	Указания по эксплуатации и другая полезная информация
	Обращение с материалами, пригодными для вторичной переработки
	Не выбрасывайте электроустройства и аккумуляторы вместе с обычным мусором!

### 1.2.3 Символы на изображениях



На изображениях используются следующие символы:

	Эти цифры указывают на соответствующее изображение в начале данного руководства.
	Нумерация на изображениях отображает порядок выполнения рабочих операций и может отличаться от нумерации, используемой в тексте.
	Номера позиций используются в <b>обзорном</b> изображении. В <b>обзоре изделия</b> они указывают на номера в экспликации.
	Этот знак должен привлечь особое внимание пользователя при обращении с изделием.

## 1.3 Символы в зависимости от изделия

### 1.3.1 Символы на изделии

На изделии могут использоваться следующие символы:

	Устройство поддерживает технологию NFC, совместимую с платформами iOS и Android.
	Серия используемых литий-ионных аккумуляторов <b>Hilti</b> . Соблюдайте указания, приведенные в главе <b>Использование по назначению</b> .
Li-Ion	Литий-ионный аккумулятор





	Никогда не используйте аккумулятор в качестве ударного инструмента.
	Не допускайте падения аккумулятора. Не используйте аккумулятор, который получил повреждения вследствие удара или каким-либо иным образом.
	Постоянный ток
	Использовать защитные очки!
n	Номинальная частота вращения
/min	оборотов в минуту (об/мин)
RPM	оборотов в минуту (об/мин)
∅	Диаметр

#### 1.4 Информация об изделии

Изделия предназначены для профессионального использования, поэтому они должны обслуживаться и ремонтироваться только уполномоченным и обученным персоналом. Этот персонал должен пройти специальный инструктаж по технике безопасности. Использование изделия и его оснастки не по назначению или его эксплуатация необученным персоналом могут представлять опасность.

Типовое обозначение и серийный номер указаны на заводской табличке.

- ▶ Перепишите серийный номер в нижеприведенную табличную форму. Данные изделия необходимы при обращении в наше представительство или сервисный центр.

##### Данные изделия

Аккумуляторная прямошлифовальная машина	GDG 6-A22
Поколение	01
Серийный номер	

#### 1.5 Декларация соответствия нормам

Настоящим мы с полной ответственностью заявляем, что данное изделие соответствует действующим директивам и нормам. Копию декларации соответствия нормам см. в конце этого документа.

Техническая документация (оригиналы) хранится здесь:

Hilti Entwicklungsgesellschaft mbH | Zulassung Geräte | Hiltistraße 6 | 86916 Kaufering, Германия

## 2 Безопасность

### 2.1 Общие указания по технике безопасности для электроинструментов

**⚠ ПРЕДУПРЕЖДЕНИЕ** Изучите все указания по технике безопасности, инструкции, иллюстрации и технические данные, которые прилагаются к данному электроинструменту. Несоблюдение приводимых ниже указаний может привести к поражению электрическим током, пожару и/или тяжелым травмам.

**Сохраните все указания по технике безопасности и инструкции для следующего пользователя.**

Используемый далее термин «электроинструмент» относится к электроинструменту, работающему от электрической сети (с кабелем электропитания) и от аккумулятора (без кабеля электропитания).

#### Безопасность рабочего места

- ▶ Следите за чистотой и хорошей освещенностью на рабочем месте. Беспорядок на рабочем месте или плохое освещение могут привести к несчастным случаям.
- ▶ Не используйте электроустройство/электроинструмент во взрывоопасной зоне, где имеются горючие жидкости, газы или пыль. При работе электроустройство/электроинструмент искрит, и искры могут воспламенить пыль или пары/газы.
- ▶ Не разрешайте детям и посторонним приближаться к работающему электроустройству/электроинструменту. Отвлекаясь от работы, можно потерять контроль над электроустройством/электроинструментом.



## Электрическая безопасность

- ▶ **Соединительная вилка электроинструмента должна соответствовать розетке электросети. Не изменяйте конструкцию вилки! Не используйте переходные вилки с электроинструментами с защитным заземлением.** Использование оригинальных вилок и соответствующих им розеток снижает риск поражения электрическим током.
- ▶ **Избегайте непосредственного контакта с заземленными поверхностями, например с трубами, отопительными приборами, газо-/электропластинами и холодильниками.** При контакте с заземленными предметами возникает повышенный риск поражения электрическим током.
- ▶ **Предохраняйте электроинструменты от дождя или воздействия влаги.** В результате попадания воды в электроинструмент возрастает риск поражения электрическим током.
- ▶ **Не используйте кабель электропитания не по назначению, например для переноски электроинструмента, его подвешивания или для выдергивания вилки из розетки электросети. Защищайте кабель электропитания от воздействий высоких температур, масла, острых кромок или вращающихся деталей/узлов.** В результате повреждения или слыхствывания кабелей электропитания повышается риск поражения электрическим током.
- ▶ **Если работы с электроинструментом выполняются на открытом воздухе, применяйте только удлинительные кабели, которые разрешено использовать вне помещений.** Использование удлинительного кабеля, пригодного для использования вне помещений, снижает риск поражения электрическим током.
- ▶ **Если избежать работы с электроинструментом в условиях влажности не представляется возможным, используйте автомат защиты от тока утечки.** Использование автомата защиты от тока утечки снижает риск поражения электрическим током.

## Безопасность персонала

- ▶ **Будьте внимательны, следите за своими действиями и серьезно относитесь к работе с электроинструментом. Не пользуйтесь электроинструментом, если вы устали или находитесь под действием наркотиков, алкоголя или медикаментов.** Незначительная ошибка при невнимательной работе с электроинструментом может стать причиной серьезного травмирования.
- ▶ **Используйте средства индивидуальной защиты и всегда надевайте защитные очки.** Использование средств индивидуальной защиты, например респиратора, защитной обуви на нескользящей подошве, защитной каски или защитных наушников, в зависимости от вида и условий эксплуатации электроинструмента, снижает риск травмирования.
- ▶ **Избегайте непреднамеренного включения электроинструмента. Убедитесь в том, что электроинструмент выключен, прежде чем подключить его к электропитанию и/или вставить аккумулятор, поднимать или переносить электроинструмент.** Ситуации, когда при переноске электроинструмента палец находится на выключателе или когда включенный электроинструмент подключается к электросети, могут привести к несчастным случаям.
- ▶ **Перед включением электроинструмента удалите регулировочные приспособления или гаечные ключи.** Рабочий инструмент или гаечный ключ, находящийся во вращающейся части электроинструмента, может стать причиной получения травм.
- ▶ **Старайтесь избегать неестественных поз при работе. Постоянно сохраняйте устойчивое положение и равновесие.** Это позволит лучше контролировать электроинструмент в непредвиденных ситуациях.
- ▶ **Носите спецодежду. Не надевайте очень свободную одежду или украшения. Оберегайте волосы, одежду и защитные перчатки от вращающихся узлов электроинструмента.** Свободная одежда, украшения и длинные волосы могут быть захвачены ими.
- ▶ **Если предусмотрено подсоединение устройств для удаления и сбора пыли, убедитесь в том, что они подсоединены и используются по назначению.** Использование пылеудаляющего аппарата снижает вредное воздействие пыли.
- ▶ **Не пренебрегайте в ложной уверенности в собственной безопасности и не пренебрегайте правилами техники безопасности для электроинструментов, даже если вы являетесь опытным пользователем электроинструмента.** Неосторожное обращение может в течение долей секунды стать причиной получения тяжелых травм.

## Использование и обслуживание электроинструмента

- ▶ **Не допускайте перегрузки электроинструмента. Используйте электроинструмент, предназначенный именно для данной работы.** Соблюдение этого правила обеспечит более высокое качество и безопасность работы в указанном диапазоне мощности.
- ▶ **Не используйте электроинструмент с неисправным выключателем.** Электроинструмент, включение или выключение которого затруднено, представляет опасность и должен быть отремонтирован.
- ▶ **Прежде чем приступить к регулировке электроинструмента, замене принадлежностей или перед перерывом в работе выньте вилку из розетки и/или аккумулятор из электроинстру-**



**мента.** Данная мера предосторожности позволит предотвратить непреднамеренное включение электроинструмента.

- ▶ **Храните неиспользуемые электроинструменты в местах, недоступных для детей. Не позволяйте использовать электроинструмент лицам, которые не ознакомлены с ним или не читали эти инструкции.** Электроинструменты представляют собой опасность в руках неопытных пользователей.
- ▶ **Бережно обращайтесь с электроинструментами и принадлежностями. Проверяйте беспрепятственное функционирование подвижных частей, легкость их хода, целостность и отсутствие повреждений, которые могли бы отрицательно повлиять на работу электроинструмента. Сдавайте поврежденные части электроинструмента в ремонт до его использования.** Причиной многих несчастных случаев является несоблюдение правил технического обслуживания электроинструментов.
- ▶ **Необходимо следить за тем, чтобы режущие инструменты были острыми и чистыми.** Заклинивание содержащихся в надлежащем состоянии режущих инструментов происходит реже, ими легче управлять.
- ▶ **Применяйте электроинструмент, принадлежности (оснастку), рабочие инструменты и т. д. согласно данным указаниям. Учитывайте при этом рабочие условия и характер выполняемой работы.** Использование электроинструментов не по назначению может привести к опасным ситуациям.
- ▶ **Замасленные рукоятки и поверхности для хвата немедленно очищайте — они должны быть сухими и чистыми.** Скользкие рукоятки и поверхности для хвата не обеспечивают безопасное управление и контроль электроинструмента в непредвиденных ситуациях.

#### **Использование и обслуживание аккумуляторного инструмента**

- ▶ **Заряжайте аккумуляторы только с помощью зарядных устройств, рекомендованных изготовителем.** При использовании зарядного устройства для зарядки несоответствующих ему типов аккумуляторов существует опасность возгорания.
- ▶ **Используйте только оригинальные аккумуляторы, рекомендованные специально для этого электроинструмента.** Использование других аккумуляторов может привести к травмам и опасности возгорания.
- ▶ **Неиспользуемые аккумуляторы храните вдали от скрепок, монет, ключей, гвоздей, шурупов или других мелких металлических предметов, которые могут стать причиной замыкания контактов.** Замыкание контактов аккумулятора может привести к ожогам или возгоранию.
- ▶ **При неверном обращении с аккумулятором из него может вытечь электролит. Избегайте контакта с ним. При случайном контакте смойте водой. При попадании электролита в глаза немедленно обратитесь за помощью к врачу.** Вытекший из аккумулятора электролит может привести к раздражению кожи или ожогам.
- ▶ **Не используйте поврежденный или измененный аккумулятор.** Поврежденные или измененные аккумуляторы могут функционировать непредсказуемо и стать причиной возгорания, взрыва или травмирования.
- ▶ **Не подвергайте аккумулятор воздействию огня или слишком высоких температур.** Огонь или температура свыше 130 °C могут спровоцировать взрыв аккумулятора.
- ▶ **Соблюдайте все указания по зарядке и никогда не заряжайте аккумулятор или аккумуляторный инструмент вне температурного диапазона, указанного в руководстве по эксплуатации.** Неправильная зарядка/зарядка вне указанного в руководстве по эксплуатации температурного диапазона могут привести к разрушению аккумулятора и повышают опасность возгорания.

#### **Сервис**

- ▶ **Доверяйте ремонт своего электроинструмента только квалифицированному персоналу, использующему только оригинальные запчасти.** Этим обеспечивается поддержание электроинструмента в безопасном состоянии.
- ▶ **Категорически запрещается выполнять обслуживание поврежденных аккумуляторов.** Все технические работы с аккумуляторами должны выполняться только производителем или авторизованными сервисными мастерскими.

#### **2.2 Общие указания по технике безопасности при шлифовании, шлифовании с использованием абразивной шкурки, работе с проволочными щетками (крацевании), полировании, фрезеровании и абразивной резке кругом:**

- ▶ **Этот электроинструмент предназначен для использования в качестве шлифмашины, инструмента для шлифования абразивной шкуркой, инструмента для крацевания, полировальной машины, машины для фрезерования и шлифовально-отрезной машины. Соблюдайте все указания по технике безопасности, инструкции, схемы и данные, полученные вами вместе с**



электроинструментом. Несоблюдение нижеприведенных указаний может привести к поражению электрическим током, пожару и/или серьезным травмам.

- ▶ **Не используйте принадлежности, которые не были разработаны и рекомендованы изготовителем специально для этого электроинструмента.** То обстоятельство, что вам удалось закрепить какую-либо принадлежность на машине, не гарантирует вам его безопасной эксплуатации.
- ▶ **Предельно допустимая частота вращения, указанная на рабочем инструменте, не должна быть больше максимальной частоты вращения, указанной на машине.** Рабочий инструмент, вращающийся с частотой больше допустимой, может разрушиться и разлететься на куски.
- ▶ **Наружный диаметр и толщина рабочего инструмента должны соответствовать размерам вашей машины.** Рабочие инструменты, размеры которых не соответствуют требуемым, не могут экранироваться или контролироваться в достаточной степени.
- ▶ **Шлифкруги, шлифовальные барабаны или иные принадлежности должны точно соответствовать размеру шпинделя или цангового зажима вашего электроинструмента.** Рабочие инструменты, размеры которых не соответствуют зажимному устройству электроинструмента, вращаются неравномерно, становятся причиной возникновения сильной вибрации и могут привести к потере контроля над машиной.
- ▶ **Смонтированные на оправке круги, шлифовальные барабаны, режущие инструменты или иные принадлежности должны полностью вставляться в цанговый зажим или зажимной патрон.** Выступ или открытая часть оправки между корпусом шлифинструмента и цанговым зажимом/зажимным патроном должны быть минимальными. Если оправка зажата недостаточным образом или шлифинструмент выступает слишком далеко, рабочий инструмент может расфиксироваться и вылететь из зажима с высокой скоростью.
- ▶ **Не используйте поврежденные рабочие инструменты.** Перед каждым применением проверяйте рабочие инструменты (шлифкруги) на сколы и трещины, шлифовальные барабаны на трещины, износ или сильное истирание, проволочные щетки на излом или отрыв кусочков проволоки. После падения электроинструмента или рабочего инструмента проверьте их на отсутствие повреждений или выполните замену рабочего инструмента. При использовании вращающегося рабочего инструмента работающий с электроинструментом и находящийся рядом лица должны находиться на безопасном расстоянии от него. Необходимо дать поработать электроинструменту в течение минуты с максимальной частотой вращения. Неисправные рабочие инструменты выходят из строя чаще всего во время этого контрольного промежутка времени.
- ▶ **Используйте средства индивидуальной защиты.** В зависимости от условий используйте защитную маску или защитные очки. При необходимости носите респиратор, защитные наушники, защитные перчатки или специальный фартук, который защитит вас от мелких частиц обрабатываемого материала. Необходимо обеспечить защиту глаз от попадания частиц, образующихся при выполнении различных работ. Возникающая при работе пыль должна задерживаться пылезащитным фильтром респиратора. При слишком долгом воздействии сильного шума возможна потеря слуха.
- ▶ **Следите за тем, чтобы посторонние лица находились на безопасном расстоянии от рабочей зоны.** Любой человек, находящийся в рабочей зоне, должен использовать средства индивидуальной защиты. Обломки заготовки или осколки разломившихся рабочих инструментов могут отлетать в стороны и травмировать даже за пределами рабочей зоны.
- ▶ **При опасности повреждения рабочим инструментом скрытой электропроводки держите электроинструмент только за изолированные поверхности.** При контакте с токопроводящей линией металлические части электроинструмента также находятся под напряжением, что может привести к поражению электрическим током.
- ▶ **При включении всегда надежно удерживайте электроинструмент.** При разгоне до полной скорости вращения реактивный момент двигателя может привести к проворачиванию электроинструмента.
- ▶ **По возможности используйте струбцины для фиксации заготовки.** Категорически запрещается шлифовать заготовку небольшого размера, удерживая ее в одной руке, а электроинструмент — в другой. При надежном зажиме небольших заготовок вы сможете держать электроинструмент обеими руками и таким образом лучше контролировать его. При резке круглых заготовок, таких как деревянные дюбели, прутковый материал или трубы, следует учитывать их возможное перекачивание, вследствие чего возможно заклинивание рабочего инструмента и его отбрасывание в вашем направлении.
- ▶ **Никогда не кладите машину до полной остановки рабочего инструмента.** Вращающийся рабочий инструмент может соприкоснуться с опорной поверхностью, вследствие чего вы можете потерять контроль над машиной.



- ▶ **После замены рабочих инструментов или выполнения настроек на электроинструменте плотно затягивайте гайку цангового зажима, зажимной патрон или другие крепежные элементы.** Ослабленные крепежные элементы могут неожиданно провернуться/сдвинуться с места, что приводит к потере контроля; незакрепленные, вращающиеся компоненты с силой отбрасываются в сторону.
- ▶ **Не допускайте включения электроинструмента во время его переноски.** Вращающийся рабочий инструмент может случайно захватить края вашей одежды и при последующем вращении травмировать вас.
- ▶ **Регулярно очищайте вентиляционные прорези машины.** Повышенная концентрация металлической пыли, засасываемой в корпус двигателя, может создать опасность поражения электрическим током.
- ▶ **Не используйте машину вблизи воспламеняющихся материалов.** Попадание искр может воспламенить подобные материалы.
- ▶ **Не используйте рабочие инструменты, для эксплуатации которых требуется применение смазочно-охлаждающих жидкостей.** Использование воды или других охлаждающих жидкостей может привести к опасности поражения электрическим током.

#### **Отдача и соответствующие указания по технике безопасности**

Отдача представляет собой неожиданную реакцию, возникающую при заедании или блокировке вращающегося рабочего инструмента (шлифкруга, тарельчатого шлифкруга, проволочной щетки и т. д.). Заедание или блокировка приводят к внезапной остановке вращающегося рабочего инструмента. Из-за противоположного направления вращения рабочего инструмента в месте блокировки происходит неконтролируемое движение электроинструмента.

При заедании или блокировке шлифкруга в заготовке кромка шлифкруга, погружаемая в заготовку, может застревать, что приводит к разлому круга или вызывает отдачу. При этом шлифкруг движется либо в направлении оператора, либо от него (в зависимости от направления вращения круга в момент блокировки). Это может также вызвать разрушение шлифкруга.

Отдача является следствием неправильного или ошибочного использования электроинструмента. При соблюдении нижеприведенных мер предосторожности этого можно избежать.

- ▶ **Надежно держите машину, приняв такое положение, при котором вы сможете амортизировать ее отдачу.** Путем принятия подходящих мер предосторожности оператор может контролировать усилия отдачи.
- ▶ **Будьте предельно внимательны при обработке углов, острых кромок и т. д. Не допускайте отскакивания и заедания рабочих инструментов в заготовке.** Вращающийся рабочий инструмент при обработке углов, острых кромок или в случае его отскакивания может заедать. Это становится причиной потери контроля над электроинструментом или возникновения отдачи.
- ▶ **Не используйте пильный круг с зубчатой кромкой.** Использование таких рабочих инструментов зачастую вызывает отдачу или приводит к потере контроля над машиной.
- ▶ **Всегда направляйте рабочий инструмент в материал в том же направлении, в котором режущая кромка выходит из материала (соответствует направлению, в котором происходит выброс опилок).** Ведение электроинструмента в неправильном направлении приводит к выкрашиванию режущей кромки рабочего инструмента из заготовки, вследствие чего электроинструмент вытягивается в этом направлении подачи.
- ▶ **Зажимайте заготовку при использовании вращающихся напильников, отрезных кругов, быстрородных или твердосплавных фрез.** Даже при небольшом перекосе в пазу эти рабочие инструменты застревают, что приводит к появлению отдачи. При застревании отрезного круга он, как правило, ломается. При застревании вращающихся напильников, быстрородных или твердосплавных фрез рабочий инструмент может выскочить из пазы, что приведет к потере контроля над электроинструментом.

#### **Особые указания по технике безопасности при шлифовании и абразивной резке:**

- ▶ **Используйте только допущенные к эксплуатации с данным электроинструментом абразивные инструменты и только в соответствии с их назначением. Пример: категорически запрещается выполнять шлифование боковой поверхностью отрезного круга.** Отрезные круги предназначены для съема материала кромкой круга. Воздействие, оказываемое на круг с боковой стороны, может стать причиной его разрушения.
- ▶ **Для конических и прямых шлифоловок с резьбой используйте только целые оправки правильного размера и длины, без поднутрения на уступе.** Использование подходящих оправок снижает риск поломки.
- ▶ **Избегайте блокировки отрезного круга или слишком сильного давления прижима. Не выполняйте слишком глубоких резов.** Перегрузка отрезного круга увеличивает его износ и подвержен-



ность перекоосу или блокировке, а вместе с тем возможность появления отдачи или разрушения круга.

- ▶ **Избегайте нахождения в зоне перед вращающимся отрезным кругом и позади него.** При смещении отрезного круга в заготовке в направлении от вашей руки электроинструмент в случае отдачи может отскочить прямо на вас вместе с вращающимся кругом.
- ▶ **В случае заклинивания отрезного круга или прерывания работы выключите машину и дождитесь, пока круг не остановится полностью. Никогда не пытайтесь вытянуть еще вращающийся отрезной круг из реза — возможна отдача.** Установите и устраните причину заклинивания.
- ▶ **Не включайте машину снова, если рабочий инструмент все еще находится в заготовке. Перед продолжением работы дождитесь, пока отрезной круг не разгонится до рабочей частоты вращения.** В противном случае возможно заедание круга, его выскакивание из заготовки или появление отдачи.
- ▶ **Подпирайте плиты или заготовки большого размера, чтобы снизить степень риска появления отдачи в случае заедания отрезного круга.** Габаритные заготовки могут прогнуться под действием собственного веса. Такие заготовки необходимо подпирать с двух сторон как вблизи места выполнения реза, так и вдоль кромки.
- ▶ **Будьте особенно осторожны при выполнении погружных резов в стенах или в других непрозрачиваемых зонах.** При погружении отрезного круга в ходе резки газо- и водопроводов, электрических проводов или других объектов возможно появление отдачи.

#### **Дополнительные указания по технике безопасности при работе с проволочными щетками:**

- ▶ **Учтите, что проволочные щетки теряют куски проволоки и при обычном использовании. Во время обработки не прижимайте щетки слишком сильно.** Отлетающие куски проволоки могут легко проходить через тонкую ткань одежды и/или проникать в кожу.
- ▶ **Перед использованием дайте поработать щеткам с рабочей скоростью не менее одной минуты. Убедитесь в том, что в это время рядом с работающей щеткой нет никого из людей.** Во время приработки возможно отлетание незакрепленных кусочков проволоки.
- ▶ **Направляйте вращающуюся проволочную щетку в сторону от себя.** При выполнении работ с этими щетками возможно отлетание мелких частиц и кусочков проволоки с высокой скоростью, которые могут пробивать кожный покров.

### **2.3 Аккуратное обращение с аккумуляторами и их правильное использование**

- ▶ Соблюдайте специальные предписания по транспортировке, хранению и эксплуатации литий-ионных аккумуляторов.
- ▶ Храните аккумуляторы на безопасном расстоянии от источников высокой температуры/огня и не подвергайте их прямому воздействию солнечного излучения.
- ▶ Запрещается разбирать, сдавливать, нагревать до температуры свыше 80 °C или сжигать аккумуляторы.
- ▶ Не используйте или не заряжайте аккумуляторы, которые подвергались ударам, падали с высоты более одного метра или получали какие-либо иные повреждения. При возникновении такой ситуации всегда обращайтесь в ближайший **сервисный центр Hilti**.
- ▶ Слишком сильный нагрев аккумулятора (такой, что до него невозможно дотронуться) указывает на его возможный дефект. Поместите изделие в пожаробезопасное место на достаточном расстоянии от воспламеняющихся материалов, где вы сможете контролировать ситуацию, и дайте ему остыть. При возникновении такой ситуации всегда обращайтесь в ближайший **сервисный центр Hilti**.

### **2.4 Дополнительные указания по технике безопасности**

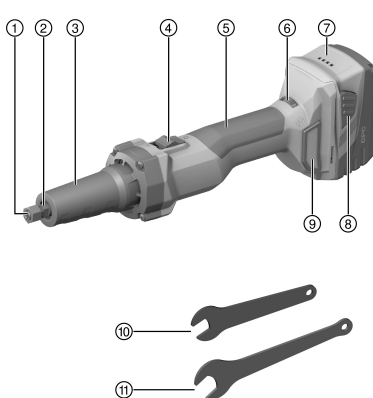
- ▶ При использовании держите электроинструмент таким образом, чтобы шлифовальная пыль, искры и возможные осколки рабочего инструмента или заготовки не попадали на вас.
- ▶ Для замены рабочего инструмента используйте только оптимально подходящие и целые ключи.
- ▶ Рабочие инструменты должны вращаться без каких-либо биений. Не используйте некруглые рабочие инструменты.
- ▶ Не удаляйте опилки или осколки при работающем электроинструменте. Выключите электроинструмент.
- ▶ Включайте инструмент только после того, как подведете его к рабочей зоне.
- ▶ При замене рабочих инструментов работайте в защитных перчатках, т. к. инструмент и зажимное устройство при работе сильно нагреваются.
- ▶ Чтобы во время работы не затекали руки, время от времени делайте упражнения для расслабления и разминки пальцев. При длительной работе возникающие вибрации могут привести к сбоям в кровоснабжении сосудов или в нервных окончаниях пальцев/кистей рук или в запястьях.



- ▶ Обеспечьте оптимальную вентиляцию рабочей зоны и при необходимости надевайте респиратор, который подходит для защиты от конкретного вида пыли.
- ▶ Очищайте хвостовик рабочего инструмента перед его установкой. Убедитесь в том, что хвостовик рабочего инструмента зажат в цанговом зажиме не менее чем на 20 мм. После установки рабочего инструмента всегда плотно затягивайте зажимную гайку. Недостаточным образом закрепленные рабочие инструменты во время работы могут расфиксироваться и отлететь в сторону.
- ▶ Используйте только те рабочие инструменты, которые указаны в технических характеристиках.

### 3 Описание

#### 3.1 Обзор устройства



- ① Зажимная гайка с цанговым зажимом
- ② Шпindelь
- ③ Шейка/передняя рукоятка
- ④ Фиксируемый выключатель
- ⑤ Рукоятка
- ⑥ Регулятор частоты вращения
- ⑦ Аккумулятор
- ⑧ Кнопка разблокировки аккумулятора
- ⑨ Пылевой фильтр
- ⑩ Малый ключ, 12 мм
- ⑪ Большой ключ, 17 мм

#### 3.2 Использование по назначению

Это изделие представляет собой прямую шлифмашину. Она предназначена для обработки металла. Электроинструмент предназначен для шлифования, абразивной резки, крацевания, полирования и фрезерования.

Используйте только рабочие инструменты с диаметром хвостовика, который соответствует установленному цанговому зажиму. Соблюдайте указания, приводимые в технических характеристиках.

Изделие предназначено только для сухого применения без водяного охлаждения.

- Для этого электроинструмента используйте только литий-ионные аккумуляторы фирмы **Hilti** серии В 22.
- Для зарядки этих аккумуляторов используйте только разрешенные фирмой **Hilti** зарядные устройства. Дополнительную информацию см. в **Hilti Store** или на [www.hilti.group](http://www.hilti.group).

#### 3.3 Комплект поставки

Прямая шлифмашина, 2 ключа, руководство по эксплуатации

Другие системные принадлежности, допущенные для использования с этим изделием, вы можете найти в **Hilti Store** или на сайте [www.hilti.group](http://www.hilti.group)

#### 3.4 Индикация уровня заряда литий-ионного аккумулятора

Уровень заряда литий-ионного аккумулятора отображается после нажатия одной из двух кнопок (де) блокировки аккумулятора.

Состояние	Значение
Горят четыре светодиода.	Уровень заряда: от 75 % до 100 %
Горят три светодиода.	Уровень заряда: от 50 % до 75 %
Горят два светодиода.	Уровень заряда: от 25 % до 50 %
Горит один светодиод.	Уровень заряда: от 10 % до 25 %
Мигает один светодиод.	Уровень заряда: < 10 %





Во время работы и непосредственно после ее завершения вызов индикации уровня заряда невозможен. При мигании светодиодов индикатора уровня заряда аккумулятора следуйте указаниям из главы «Поиск и устранение неисправностей».

## 4 Технические данные

<b>Масса по EPTA Procedure 01 с аккумулятором B22/8.0</b>		2,6 кг
<b>Номинальная частота вращения</b>		10 000 об/мин ... 25 000 об/мин
<b>Требуемая минимальная частота вращения рабочего инструмента</b>		≥ 25 000 об/мин
<b>Рабочий диаметр сменного инструмента</b>		≤ 55 мм
<b>Диаметр хвостовика рабочего инструмента</b>	<b>Цанговый зажим 6 мм</b>	6 мм
	<b>Цанговый зажим 1/4"</b>	1/4 дюйм
<b>Размер ключа для шпинделя</b>		12 мм
<b>Размер ключа для зажимной гайки</b>		17 мм
<b>Температура хранения</b>		-20 °C ... 70 °C
<b>Температура окружающей среды при эксплуатации</b>		-17 °C ... 60 °C

### 4.1 Данные по шуму и вибрациям согласно EN 62841

Приводимые здесь значения уровня звукового давления и вибрации были измерены согласно стандартизированной процедуре измерения и могут использоваться для сравнения электроинструментов между собой. Они также подходят для предварительной оценки вредных воздействий.

Указанные данные применимы к основным областям применения электроинструмента. Однако, если электроинструмент используется для других целей, с другими рабочими (сменными) инструментами или в случае его неудовлетворительного технического обслуживания, данные могут быть иными. Вследствие этого в течение всего периода работы электроинструмента возможно значительное увеличение вредных воздействий.

Для точного определения вредных воздействий следует также учитывать промежутки времени, в течение которых электроинструмент находится в выключенном состоянии или работает вхолостую. Вследствие этого в течение всего периода работы электроинструмента возможно заметное уменьшение вредных воздействий.

Примите дополнительные меры безопасности для защиты пользователя от воздействия возникающего шума и/или вибраций, например: техническое обслуживание электроинструмента и рабочих (сменных) инструментов, сохранение тепла рук, правильная организация рабочих процессов.

#### Данные о шуме

<b>Значение уровня звукового давления (<math>L_{pA}</math>)</b>	76 дБ(A)
<b>Погрешность уровня звукового давления (<math>K_{pA}</math>)</b>	3 дБ(A)
<b>Уровень звуковой мощности (<math>L_{WA}</math>)</b>	87 дБ(A)
<b>Погрешность уровня звуковой мощности (<math>K_{WA}</math>)</b>	3 дБ(A)

#### Данные о вибрации

<b>Значение вибрации (<math>a_{h1}</math>), в зависимости от диаметра рабочего инструмента</b>	<b>&lt; 25 мм</b>	0,7 м/с <sup>2</sup>
	<b>25 ... &lt; 50 мм</b>	15,9 м/с <sup>2</sup>
	<b>50 ... 55 мм</b>	22,2 м/с <sup>2</sup>
<b>Коэффициент погрешности (K)</b>		1,5 м/с <sup>2</sup>

### 4.2 Аккумулятор

<b>Рабочее напряжение аккумулятора</b>	21,6 В
<b>Температура окружающей среды при эксплуатации</b>	-17 °C ... 60 °C





Температура хранения	-20 °C ... 40 °C
Температура аккумулятора в начале зарядки	-10 °C ... 45 °C

## 5 Подготовка к работе

### ОСТОРОЖНО

**Опасность травмирования вследствие непреднамеренного пуска!**

- ▶ Перед установкой аккумулятора убедитесь в том, что соответствующий электроинструмент выключен.
- ▶ Прежде чем приступить к регулировке электроинструмента или замене принадлежностей выньте аккумулятор из электроинструмента.

Соблюдайте указания по технике безопасности и предупреждающие указания, приводимые в данном документе и на изделии.

### 5.1 Зарядка аккумулятора

1. Перед зарядкой изучите руководство по эксплуатации зарядного устройства.
2. Убедитесь в том, что контакты аккумулятора и зарядного устройства чистые и сухие.
3. Заряжайте аккумулятор только в допущенном к эксплуатации зарядном устройстве.

### 5.2 Установка аккумулятора

#### ОСТОРОЖНО

**Опасность травмирования вследствие короткого замыкания или падения аккумулятора!**

- ▶ Перед установкой аккумулятора убедитесь в чистоте его контактов и контактов электроинструмента.
  - ▶ Всегда проверяйте, правильно ли зафиксирован аккумулятор.
1. Перед первым вводом в эксплуатацию полностью зарядите аккумулятор.
  2. Установите и зафиксируйте аккумулятор в креплении на электроинструменте (при правильной фиксации слышен характерный щелчок).
  3. Проверьте надежность фиксации аккумулятора.

### 5.3 Извлечение аккумулятора

1. Нажмите кнопки (де)блокировки аккумулятора.
2. Извлеките аккумулятор из электроинструмента.

### 5.4 Замена рабочего инструмента

#### ВНИМАНИЕ

**Опасность повреждения** незанятого цангового зажима при затягивании зажимной гайки.

- ▶ Категорически запрещается затягивать зажимную гайку при отсутствии рабочего инструмента в цанговом зажиме.

#### ОСТОРОЖНО

**Опасность травмирования и повреждения** вследствие вращающегося с биением или поврежденного рабочего инструмента.

- ▶ Не используйте поврежденные рабочие инструменты. Перед началом работы проверяйте прямую шлифмашину на отсутствие вибраций/биений.
1. Придерживая цанговый зажим малым ключом, расфиксируйте зажимную гайку большим ключом.
  2. Вытяните рабочий инструмент из цангового зажима.
  3. Вставьте хвостовик рабочего инструмента как можно глубже в цанговый зажим.
  4. Длина открытой части хвостовика  $L_0$  не должна превышать 10 мм. Хвостовик рабочего инструмента должен быть вставлен в цанговый зажим по меньшей мере на 20 мм.
  5. Придерживая цанговый зажим малым ключом, затяните зажимную гайку большим ключом.
  6. Проверьте надежность фиксации рабочего инструмента.



## 6 Управление

Соблюдайте указания по технике безопасности и предупреждающие указания, приводимые в данном документе и на изделии.

### 6.1 Включение

1. Нажмите на заднюю часть выключателя.
2. Сдвиньте выключатель вперед.
  - ▶ Двигатель заработает.
3. Заблокируйте выключатель.

### 6.2 Выполнение работ

1. Включите устройство. → страница 94
2. С помощью регулировочного колесика установите такую частоту вращения, которая подходит для рабочего инструмента и запланированного применения.
3. Всегда работайте только с предназначенной для этого рабочей поверхностью сменного инструмента. Пример: категорически запрещается выполнять шлифование боковой поверхностью отрезного круга. Отрезные круги предназначены для съема материала кромкой круга.
4. Фиксируйте заготовку. Категорически запрещается шлифовать заготовку небольшого размера, удерживая ее в одной руке, а прямую шлифмашину — в другой. Всегда надежно удерживайте прямую шлифмашину обеими руками за предусмотренные для этого рукоятки.
5. Подведите прямую шлифмашину к заготовке. Работайте с умеренным прижимом рабочего инструмента к обрабатываемому материалу.

### 6.3 Выключение

- ▶ Нажмите на заднюю часть выключателя.
  - ▶ Выключатель установится в положение «Выкл.» и двигатель остановится.

## 7 Уход и техническое обслуживание



### ПРЕДУПРЕЖДЕНИЕ

**Опасность травмирования при установленном аккумуляторе !**

- ▶ Перед проведением любых работ по уходу и обслуживанию всегда извлекайте аккумулятор!

### Уход за электроинструментом

- Осторожно удаляйте налипшую грязь.
- Осторожно очищайте вентиляционные прорези сухой щеткой.
- Очищайте корпус только с использованием слегка увлажненной ткани. Не используйте средства по уходу с содержанием силикона, так как они могут повредить пластмассовые детали.

### Уход за литий-ионными аккумуляторами

- Аккумулятор должен быть чистым, без следов масла и смазки.
- Очищайте корпус только с помощью слегка увлажненной ткани. Не используйте средства по уходу с содержанием силикона, так как они могут повредить пластмассовые детали.
- Не допускайте попадания влаги внутрь инструмента.

### Техническое обслуживание

- Регулярно проверяйте все видимые части электроинструмента на отсутствие повреждений, а элементы управления — на исправное функционирование.
- При повреждениях и/или функциональных сбоях не используйте электроинструмент. Сразу сдавайте его в сервисный центр **Hilti** для ремонта.
- После ухода за электроинструментом и его технического обслуживания установите все защитные приспособления на место и проверьте их исправное функционирование.



Для обеспечения безопасной эксплуатации используйте только оригинальные запасные части и расходные материалы. Допущенные нами запасные части, расходные материалы и принадлежности для данного устройства вы можете найти в **Hilti Store** или на сайте **www.hilti.group**.



## 7.1 Замена зажимной гайки

### ВНИМАНИЕ

**Опасность повреждения** незанятого цангового зажима при затягивании зажимной гайки.

- ▶ Категорически запрещается затягивать зажимную гайку при отсутствии рабочего инструмента в цанговом зажиме.

1. Придерживая шпindel малым ключом, расфиксируйте зажимную гайку большим ключом.
2. При необходимости вытяните рабочий инструмент из цангового зажима.
3. Полностью открутите зажимную гайку с цанговым зажимом.
4. Установите новую зажимную гайку с цанговым зажимом на шпindel и навинтите зажимную гайку на шпindel без затягивания. Не затягивайте зажимную гайку.

## 8 Транспортировка и хранение аккумуляторных электроинструментов

### Транспортировка

#### ОСТОРОЖНО

**Непреднамеренное включение в ходе транспортировки !**

- ▶ При транспортировке своих электроинструментов всегда отсоединяйте от них аккумуляторы!
- ▶ Извлеките аккумуляторы.
- ▶ Категорически запрещается транспортировать аккумуляторы без упаковки (бестарным способом).
- ▶ Перед использованием после длительной транспортировки проверяйте электроинструмент, рабочие инструменты и аккумуляторы на отсутствие повреждений.

### Хранение

#### ОСТОРОЖНО

**Непреднамеренное повреждение вследствие неисправных или протекающих аккумуляторов !**

- ▶ При хранении своих электроинструментов всегда отсоединяйте от них аккумуляторы!
- ▶ По возможности храните электроинструмент, рабочие инструменты и аккумуляторы в сухом и прохладном месте.
- ▶ Никогда не оставляйте аккумуляторы на солнце, на нагревательных/отопительных элементах или за стеклом.
- ▶ Храните электроинструмент, рабочие инструменты и аккумуляторы в недоступном для детей и других лиц, не допущенных к работе с машиной, месте.
- ▶ Перед использованием после длительного хранения проверяйте электроинструмент, рабочие инструменты и аккумуляторы на отсутствие повреждений.

## 9 Помощь при неисправностях

В случае неисправностей, которые не указаны в этой таблице или которые вы не можете устранить самостоятельно, обращайтесь в ближайший сервисный центр Hilti.

Неисправность	Возможная причина	Решение
Аккумулятор разряжается быстрее, чем обычно.	Очень низкая температура внешней среды	▶ Обеспечьте постепенный нагрев аккумулятора до комнатной температуры.
При установке аккумулятора не слышно характерного щелчка.	Грязь на фиксирующих выступках аккумулятора.	▶ Очистите фиксирующие выступы и установите аккумулятор повторно.
Мигает один светодиод. Устройство не функционирует.	Аккумулятор разряжен.	▶ Замените аккумулятор и зарядите разряженный аккумулятор.
	Аккумулятор слишком холодный или слишком горячий	▶ Обеспечьте постепенный нагрев или постепенное охлаждение аккумулятора до комнатной температуры.



Неисправность	Возможная причина	Решение
Мигают все четыре светодиода. Устройство не функционирует.	Электроинструмент перегружен.	▶ Выключите электроинструмент, а затем снова включите его. Дайте поработать электроинструменту в течение примерно 30 с на холостом ходу.
Сильный нагрев (внутри) дозатора или аккумулятора.	Электрическая неисправность	▶ Немедленно выключите электроинструмент, извлеките аккумулятор и наблюдайте за ним, дайте ему остыть и свяжитесь с сервисной службой <b>Hilti</b> .
Электроинструмент работает не на полную мощность.	Установлен аккумулятор с недостаточной емкостью.	▶ Используйте аккумулятор с достаточной емкостью.
Не срабатывает функция торможения двигателя.	Аккумулятор разряжен.	▶ Замените аккумулятор и зарядите разряженный аккумулятор.
	Кратковременная перегрузка электроинструмента	▶ Выключите электроинструмент, а затем снова включите его.
Инструмент сильно вибрирует.	Рабочий инструмент не подходит для использования с электроинструментом.	▶ Используйте только те рабочие инструменты, которые указаны в технических характеристиках.
	Рабочий инструмент поврежден, вращается с биением или неправильно отбалансирован.	▶ Используйте только исправные рабочие инструменты.
	Электроинструмент неисправен	▶ Если рабочий инструмент можно исключить в качестве причины (неисправности), обратитесь в сервисный центр <b>Hilti</b> .

## 10 Утилизация

Большинство материалов, из которых изготовлены изделия **Hilti**, подлежит вторичной переработке. Перед утилизацией следует тщательно рассортировать материалы (для удобства их последующей переработки). Во многих странах фирма **Hilti** уже организовала прием бывших в использовании электрических и электронных устройств для утилизации. Дополнительную информацию по этому вопросу можно получить в отделе по обслуживанию клиентов или у консультантов по продажам фирмы **Hilti**.

### Утилизация аккумуляторов

Вследствие выхода газов или жидкостей при неправильной утилизации аккумуляторов возможна угроза для здоровья.

- ▶ Не пересылайте поврежденные аккумуляторы!
- ▶ Закрывайте аккумуляторные контакты не проводящим ток материалом, чтобы избежать коротких замыканий.
- ▶ Утилизируйте аккумуляторы так, чтобы исключить их попадание в руки детей.
- ▶ Утилизируйте аккумулятор через ближайший **Hilti Store** или обратитесь в специализированную фирму по утилизации.



- ▶ Не выбрасывайте электрические инструменты, электронные устройства/приборы и аккумуляторы вместе с обычным мусором!



## 11 RoHS (Директива об ограничении применения опасных веществ)

По этой ссылке доступна таблица опасных веществ: [qr.hilti.com/r11229136](http://qr.hilti.com/r11229136).

Ссылку в виде QR-кода на таблицу опасных веществ согласно директиве RoHS см. в конце этого документа.

## 12 Гарантия производителя

- ▶ С вопросами относительно гарантийных условий обращайтесь в ближайшее представительство Hilti.

# Оригінальна інструкція з експлуатації

## 1 Інформація про документацію

### 1.1 Інформація про цей документ

- Перш ніж розпочинати роботу з інструментом, прочитайте цей документ. Це є передумовою безпечної роботи та відсутності несправностей під час застосування інструмента.
- Дотримуйтеся попереджувальних вказівок та вказівок з техніки безпеки, наведених у цьому документі та на корпусі інструмента.
- Завжди зберігайте інструкцію з експлуатації поблизу інструмента та передавайте інструмент іншим особам лише разом з інструкцією.

### 1.2 Пояснення символів

#### 1.2.1 Попереджувальні вказівки

Попереджувальні вказівки інформують користувача про фактори небезпеки, пов'язані із застосуванням інструмента. Використовуються такі сигнальні слова:

#### НЕБЕЗПЕКА

##### НЕБЕЗПЕКА !

- ▶ Указує на безпосередню небезпеку, що може призвести до отримання тяжких тілесних ушкоджень або навіть до смерті.

#### ПОПЕРЕДЖЕННЯ

##### ПОПЕРЕДЖЕННЯ !

- ▶ Указує на потенційно небезпечну ситуацію, яка може призвести до отримання тяжких тілесних ушкоджень або навіть смерті.





#### ОБЕРЕЖНО

##### ОБЕРЕЖНО !

- ▶ Указує на потенційно небезпечну ситуацію, яка може призвести до отримання легких тілесних ушкоджень та до матеріальних збитків.

#### 1.2.2 Символи у документі

У цьому документі використовуються такі символи:

	Перед використанням прочитайте інструкцію з експлуатації
	Указівки щодо експлуатації та інша корисна інформація
	Поводження з матеріалами, придатними для вторинної переробки
	Не викидайте електроінструменти і акумуляторні батареї у баки для побутового сміття



### 1.2.3 Символи на ілюстраціях

На ілюстраціях використовуються такі символи:

	Цифрами позначаються відповідні ілюстрації, наведені на початку цієї інструкції
	Нумерація відображає послідовність робочих кроків на ілюстраціях та може відрізнятися від нумерації у тексті
	Номера позицій, наведені <b>на оглядовій ілюстрації</b> , відповідають номерам у легенді, що представлена у розділі « <b>Огляд продукту</b> »
	Цей символ позначає аспекти, на які слід звернути особливу увагу під час застосування інструмента.

### 1.3 Символи, що обумовлені типом інструмента

#### 1.3.1 Символи на інструменті

На інструменті можуть бути наведені такі символи:

	Інструмент підтримує технологію NFC та є сумісним із платформами iOS та Android.
	Використовуваний тип літій-іонної акумуляторної батареї <b>Hilti</b> . Дотримуйтеся вказівок, наведених у розділі « <b>Використання за призначенням</b> ».
	Літій-іонна акумуляторна батарея
	Ніколи не використовуйте акумуляторну батарею у якості ударного інструмента.
	Не допускайте падіння акумуляторної батареї. Не використовуйте акумуляторну батарею, яка зазнала ударного навантаження або була пошкоджена іншим чином.
	Постійний струм
	Використовуйте захисні окуляри!
	Номінальна частота обертання
	Кількість обертів на хвилину
	Кількість обертів на хвилину
	Діаметр

### 1.4 Інформація про інструмент

Інструменти призначені для професійного використання, а тому їхню експлуатацію, технічне обслуговування та ремонт слід доручати лише авторизованому персоналу зі спеціальною підготовкою. Цей персонал повинен бути спеціально проінструктований про можливі ризики. Інструмент та допоміжне приладдя можуть стати джерелом небезпеки у разі їхнього неправильного застосування некваліфікованим персоналом або у разі використання не за призначенням.

Тип та серійний номер зазначені на заводській табличці.

- Перепишіть серійний номер у наведену нижче таблицю. При оформленні запитів до нашого представництва та до сервісної служби вказуйте інформацію про інструмент.

#### Інформація про інструмент

Акумуляторна пряма шліфувальна машина	GDG 6-A22
Версія	01
Серійний номер	

### 1.5 Сертифікат відповідності

Зі всією належною відповідальністю заявляємо, що описаний у цьому документі інструмент відповідає діючим директивам і стандартам. Копія сертифіката відповідності наведена у кінці цього документа.



## 2 Безпека

### 2.1 Загальні вказівки з техніки безпеки при роботі з електроінструментами

**⚠ ПОПЕРЕДЖЕННЯ!** Уважно прочитайте усі вказівки та інструкції з техніки безпеки, ознайомтеся з малюнками та технічними даними цього електроінструмента. Щонайменше недотримання наведених нижче вказівок може призвести до ураження електричним струмом, займання та/або отримання тяжких травм.

**Збережіть всі інструкції та вказівки з техніки безпеки – вони можуть знадобитися Вам у майбутньому.**

Термін «електроінструмент», який використовується у вказівках з техніки безпеки, позначає як електроінструменти, що працюють від електричної мережі (із кабелем живлення), так і електроінструменти, що працюють від акумуляторної батареї (без кабелю живлення).

#### Безпека на робочому місці

- ▶ **Дбайте про чистоту та достатнє освітлення робочого місця.** Безлад на робочому місці та недостатнє освітлення можуть стати причиною нещасних випадків.
- ▶ **Не працюйте з електроінструментом у вибухонебезпечному середовищі, що містить легкозаймисті рідини, газу або пил.** Під час роботи електроінструментів утворюються іскри, від яких можуть зайнятися легкозаймисті випари або пил.
- ▶ **Подбайте про те, щоб під час використання електроінструмента поблизу не було дітей та сторонніх осіб.** Щонайменше відволікання може призвести до втрати контролю над інструментом.

#### Електрична безпека

- ▶ **Штепсельна вилка електроінструмента повинна підходити до розетки живлення. Забороняється вносити зміни до конструкції штепсельної вилки. Не дозволяється застосовувати перенесені штепсельні вилки в електроінструментах із захисним заземленням.** У разі використання оригінальних штепсельних вилок і відповідних розеток знижується ризик ураження електричним струмом.
- ▶ **Під час роботи намагайтеся не торкатися заземлених поверхонь, наприклад труб, радіаторів опалення, печей та холодильників.** Якщо Ваше тіло перебуває в контакті із системою заземлення, існує підвищений ризик ураження електричним струмом.
- ▶ **Захищайте електроінструменти від дощу та вологи.** У разі проникнення води в електроінструмент підвищується ризик ураження електричним струмом.
- ▶ **Використовуйте з'єднувальний кабель тільки за призначенням, не переносьте за нього електроінструмент, не користуйтеся ним для підвішування інструмента та не тримайтеся за нього, дістаючи штепсельну вилку з розетки. Оберегайте з'єднувальний кабель від впливу високих температур, від дії мастил та контакту з гострими кромками або рухомими частинами інструмента.** Пошкоджені або заплутані з'єднувальні кабелі підвищують ризик ураження електричним струмом.
- ▶ **Працюючи з електроінструментом під відкритим небом, використовуйте лише подовжувальний кабель, придатний для зовнішнього застосування.** Використання подовжувального кабелю, призначеного для зовнішнього застосування, зменшує ризик ураження електричним струмом.
- ▶ **Якщо неможливо уникнути експлуатації електроінструмента за умов підвищеної вологості, використовуйте автомат захисту від струму витоку.** Використання автомата захисту від струму витоку зменшує ризик ураження електричним струмом.

#### Безпека персоналу

- ▶ **Будьте уважними, зосередьтеся на виконуваній операції, до роботи з електроінструментом ставтеся серйозно. Не користуйтеся електроінструментом, якщо Ви втомлені або перебуваєте під дією наркотичних речовин, алкоголю або лікарських засобів.** Під час роботи з електроінструментом не відволікайтеся ні на мить, оскільки це може призвести до отримання серйозних травм.
- ▶ **Використовуйте засоби індивідуального захисту і завжди надягайте захисні окуляри.** Використання засобів індивідуального захисту, наприклад респіратору, захисного взуття на нековзаній підшві, захисного шолома або шумозахисних навушників – залежно від різновиду електроінструмента та особливостей його застосування – зменшує ризик травмування.
- ▶ **Уникайте випадкового вмикання електроінструмента. Переконайтеся в тому, що електроінструмент вимкнений, перш ніж вставляти штепсельну вилку в розетку живлення та/або приєднувати акумулятор, піднімати електроінструмент або переносити його.** Якщо під час пе-



ренесення електроінструмента тримати палець на вимикачі або приєднувати інструмент до джерела живлення увімкненим, це може призвести до нещасного випадку.

- ▶ **Перш ніж вмикати електроінструмент, від'єднайте від нього все налагоджувальне приладдя або гайкові ключі.** Приладдя або ключ, що знаходяться в обертовому вузлі інструмента, можуть стати причиною отримання травм.
- ▶ **Уникайте виконання роботи в незручній позі. Під час виконання робіт ставайте в стійку позу і намагайтеся повсякчас утримувати рівновагу.** Це дозволить Вам більш упевнено контролювати електроінструмент у разі виникнення несподіваних обставин.
- ▶ **Надягайте відповідний робочий одяг. Не надягайте для роботи занадто просторий одяг та прикраси. Слідкуйте за тим, щоб волосся, одяг та робочі рукавиці знаходилися подалі від обертових частин інструмента.** Просторий одяг, прикраси або довге волосся можуть бути захоплені рухомими частинами інструмента.
- ▶ **Якщо передбачена можливість установлення системи пиловидалення та пилозбірників, обов'язково переконайтеся в тому, що вони правильно приєднані й використовуються належним чином.** Застосування системи видалення пилу дозволяє зменшити негативний вплив пилу на персонал.
- ▶ **Не можна нехтувати правилами безпеки під час роботи з електроінструментами навіть у тому випадку, коди Ви добре знайомі з тим чи іншим електроінструментом.** Якщо користуватися інструментом необережно, лише малої частки секунди може бути достатньо для отримання тяжких травм.

#### **Використання електроінструмента та належний догляд за ним**

- ▶ **Не допускайте перенавантаження інструмента. Завжди використовуйте електроінструмент, призначений для виконання відповідної роботи.** При використанні належного електроінструмента забезпечуються більш висока якість та безпека виконання робіт у вказаному діапазоні продуктивності.
- ▶ **Не використовуйте електроінструмент із пошкодженням вимикачем.** Електроінструмент, який неможливо вмикати або вимикати, є небезпечним і підлягає ремонту.
- ▶ **Перш ніж розпочинати налаштування інструмента, виконувати заміну приладдя або роботи перерву в роботі, не забудьте вийняти штепсельну вилку з розетки та/або вийняти з інструмента змінну акумуляторну батарею.** Такий запобіжний захід допоможе уникнути випадкового вмикання електроінструмента.
- ▶ **Електроінструменти, що не використовуються, зберігайте в недоступному для дітей місці. Не дозволяйте користуватися інструментом особам, які не ознайомлені з ним або не прочитали ці вказівки.** У руках недосвідчених людей електроінструменти являють собою серйозну небезпеку.
- ▶ **Електроінструменти та їх приладдя потребують дбайливого догляду. Ретельно перевіряйте, чи бездоганно працюють та чи не заклинюють рухомі частини, чи не зламалися або не зазнали інших пошкоджень деталі, від яких залежить справна робота електроінструмента. Перед початком роботи з інструментом пошкоджені деталі слід відремонтувати.** Багатьох нещасних випадків можна уникнути за умови належного технічного обслуговування електроінструментів.
- ▶ **Слідкуйте за тим, щоб ріжучі інструменти завжди залишалися чистими та належним чином заточеними.** Дбайливо доглянутий ріжучий інструмент із гострими різальними кромками не так часто заклинюється, і з ним легше працювати.
- ▶ **Під час експлуатації електроінструмента, приладдя до нього, робочих інструментів тощо дотримуйтеся наведених у цьому документі вказівок. При цьому завжди враховуйте умови в місці виконання робіт та дії, яких вимагає поставлене завдання.** Використання електроінструментів не за призначенням може призвести до виникнення небезпечних ситуацій.
- ▶ **Слідкуйте за тим, щоб поверхні рукояток були чистими та сухими, та не допускайте їхнього забруднення мастилом.** Якщо поверхні рукояток слизькі, це унеможливіє впевнене контролювання електроінструмента у непередбачених ситуаціях.

#### **Використання акумуляторного інструмента та належний догляд за ним**

- ▶ **Для заряджання акумуляторних батарей застосовуйте лише зарядні пристрої, рекомендовані виробником.** Зарядний пристрій, придатний для заряджання акумуляторних батарей певного типу, може спричинити пожежу, якщо його застосовувати для заряджання акумуляторних батарей інших типів.
- ▶ **Для живлення електроінструментів застосовуйте лише спеціально призначені для цього акумуляторні батареї.** Застосування інших акумуляторних батарей може призвести до отримання травм і виникнення пожежі.
- ▶ **Акумуляторну батарею, яка не використовується, тримайте подалі від канцелярських скріпок, монет, ключів, цвяхів, гвинтів та інших дрібних металевих предметів, які могли б спричинити коротке замикання її контактів.** Коротке замикання контактів акумуляторної батареї може призвести до отримання опіків або до виникнення пожежі.





- ▶ У разі неправильного застосування з акумуляторної батареї може пролитися рідина. Уникайте контакту з нею. У разі випадкового контакту цієї рідини зі шкірою негайно промийте уражене місце достатньою кількістю води. Якщо рідина потрапила в очі, рекомендується додатково звернутися по лікарську допомогу. Пролита з акумуляторної батареї рідина може призвести до подразнення шкіри або отримання опіків.
- ▶ Не використовуйте акумуляторну батарею, якщо вона пошкоджена або якщо її конструкція була змінена. Пошкоджені або модифіковані акумуляторні батареї вкрай ненадійні та становлять небезпеку пожежі, вибуху або травмування.
- ▶ Не піддавайте акумуляторну батарею впливу вогню або високих температур. Вогонь або температури понад 130 °C (265 °F) можуть спричинити вибух.
- ▶ Дотримуйтеся вказівок щодо заряджання. Ніколи не заряджайте акумуляторну батарею або акумуляторний інструмент в умовах, що виходять за межі температурного діапазону, зазначеного в інструкції з експлуатації. Неналежне заряджання або заряджання за межами зазначеного температурного діапазону може призвести до руйнування акумуляторної батареї та підвищує ризик займання.

#### Сервісне обслуговування

- ▶ Доручайте ремонт електроінструмента лише кваліфікованому персоналу зі спеціальною підготовкою за умови використання тільки оригінальних запасних частин. Це забезпечить функціональність інструмента.
- ▶ Забороняється здійснювати технічне обслуговування пошкоджених акумуляторних батарей. У будь-яких випадках технічне обслуговування акумуляторних батарей повинен здійснювати виробник або уповноважена служба технічного обслуговування.

#### 2.2 Загальні вказівки з техніки безпеки під час шліфування, шліфування з використанням наждачного паперу, роботи з дротовими щітками, полірування, фрезерування та відрізного шліфування:

- ▶ Цей електроінструмент призначений для використання в якості шліфувальної машини, наждачної шліфувальної машини, шліфувальної машини із дротовою щіткою, полірувальної машини, фрезерувальної машини та шліфувально-відрізної машини. Дотримуйтеся всіх вказівок з техніки безпеки, інструкцій, схем і даних, отриманих Вами разом з інструментом. Невиконання наступних інструкцій може призвести до ураження електричним струмом, пожежі та/або серйозних травм.
- ▶ Не використовуйте приладдя, яке не було розроблене або рекомендоване виробником спеціально для використання із цим електроінструментом. Навіть якщо Ви можете закріпити приладдя на електроінструменті, це не гарантує його безпечної експлуатації.
- ▶ Гранично припустима частота обертання змінного робочого інструмента не повинна бути меншою за максимальну частоту обертання, зазначену на електроінструменті. Приладдя, що обертається з частотою більше припустимої, може зруйнуватися або відлетіти.
- ▶ Зовнішній діаметр і товщина змінного робочого інструмента повинні відповідати розмірам електроінструмента. Ви не зможете належним чином контролювати змінні робочі інструменти, розміри яких не відповідають вимогам; крім того, захисний кожух не закриватиме їх повністю.
- ▶ Шліфувальні круги, шліфувальні валки та інші типи приладдя повинні точно відповідати розміру шпинделя або цангового патрона електроінструмента. Змінні робочі інструменти, розмір яких не відповідає розміру патрона електроінструмента, обертаються нерівномірно і стають причиною виникнення сильної вібрації, що може призвести до втрати контролю над електроінструментом.
- ▶ Якщо круг, шліфувальний циліндр, ріжучий інструмент або приладдя іншого типу оснащені оправкою, то вона повинна бути повністю вставлена у цанговий патрон або затискний патрон. При цьому вільний відрізок оправки, який залишається між абразивною частиною змінного робочого інструмента та цанговим патроном або затискним патроном, повинен бути якомога коротшим. Якщо оправка зафіксована недостатньо надійно або якщо абразивна частина змінного робочого інструмента знаходиться занадто далеко від цангового патрона або затискного патрона, то змінний робочий інструмент може від'єднатися та на великій швидкості відлетіти в сторону.
- ▶ Не використовуйте пошкоджені змінні робочі інструменти. Перед кожним використанням перевіряйте шліфувальні круги на наявність відколів і тріщин, шліфувальні валки на наявність тріщин, зношування або сильного стирання, а дротові щітки на наявність незакріплених або зламаних дротів. У разі падіння електроінструмента або робочого інструмента перевірте їх на наявність пошкодження або замініть робочий інструмент. При першому використанні обертового змінного робочого інструмента оператор і особи, що стоять поруч, повинні перебувати на безпечній відстані від нього. Потрібно дати інструменту попрацювати протягом хвилини за максимальної частоти обертання. Несправні змінні робочі інструменти виходять з ладу найчастіше під час цього контрольного проміжку часу.



- ▶ **Застосуйте індивідуальні засоби захисту.** Залежно від умов застосування використовуйте захисну маску або захисні окуляри. За необхідності використовуйте пілозахисну маску, захисні навушники, захисні рукавиці або спеціальний фартух, щоб захистити себе від дрібних часток оброблюваного матеріалу. Необхідно забезпечити захист очей від потрапляння частинок, що утворюються при виконанні різних робіт. Пил, що утворюється при виконанні робіт, повинен затримуватися пілозахисним фільтром респиратора. При занадто тривалому впливі сильного шуму можлива втрата слуху.
- ▶ **Прослідкуйте за тим, щоб інші особи у місці виконання робіт перебували на безпечній відстані від Вас.** Кожна особа, яка заходить у межі робочої зони, повинна використовувати засоби індивідуального захисту. Уламки оброблюваної деталі або частини пошкодженого робочого інструмента можуть розлітатися та ставати причиною травмування навіть за межами безпосередньої робочої зони.
- ▶ **Якщо під час виконання робіт існує ймовірність того, що змінний робочий інструмент може натрапити на приховану електропроводку, тримайте електроінструмент тільки за ізолявоні поверхні рукояток.** У разі контакту з електричним дротом, який знаходиться під напругою, металеві деталі інструмента також потраплять під напругу, а це може призвести до ураження електричним струмом.
- ▶ **Під час запуску інструмента завжди міцно утримуйте його.** Коли частота обертання підвищується до максимального значення, електроінструмент може почати обертатися під впливом обертового моменту двигуна.
- ▶ **За можливості для закріплення оброблюваної деталі використовуйте струбцини.** Під час роботи з електроінструментом забороняється утримувати його в одній руці, а малагабаритну оброблювану деталь – в іншій. Якщо закріпити невелику оброблювану деталь, Ви вивільните обидві руки та зможете краще контролювати електроінструмент. Круглі оброблювані деталі, наприклад дерев'яні штифти, пруткові матеріали або трубки, можуть під час розрізання відкочуватися від інструмента, внаслідок чого може статися заклинювання інструмента та його раптове зміщення у напрямку оператора.
- ▶ **Не відкладайте електроінструмент до повної зупинки робочого інструмента.** Обертовий робочий інструмент може натрапити на опорну поверхню, внаслідок чого Ви можете втратити контроль над електроінструментом.
- ▶ **Після заміни робочих інструментів або після встановлення нових налаштувань інструмента міцно затягуйте гайку цангового патрона, затискний патрон та інші кріпильні елементи.** Якщо кріпильні елементи зафіксовані неналежним чином, їхнє раптове зміщення може призвести до втрати контролю над інструментом; при цьому незакріплені обертові компоненти можуть бути із силою відкинуті назовні.
- ▶ **Не допускайте увімкнення електроінструмента під час його перенесення.** Обертовий робочий інструмент може випадково захопити край Вашого одягу та травмувати Вас.
- ▶ **Регулярно очищайте вентиляційні прорізи електроінструмента.** Оскільки двигун засмоктує пил усередину корпусу, підвищена концентрація металевого пилу може створити небезпеку ураження електричним струмом.
- ▶ **Не використовуйте електроінструмент поблизу легкозаймистих матеріалів.** Іскри можуть запалити ці матеріали.
- ▶ **Не використовуйте змінні робочі інструменти, для експлуатації яких потрібне застосування рідких охолоджувальних засобів.** Використання води або інших рідких охолоджувальних засобів може призвести до ураження електричним струмом.

#### **Віддача і відповідні вказівки з техніки безпеки**

Віддача являє собою раптову реакцію, що виникає при зачепленні або блокуванні робочого інструмента, що обертається (шліфувального круга, шліфувальної тарілки, дротової щітки тощо). Зачеплення або блокування призводять до раптової зупинки робочого інструмента, що обертається. Це спричиняє неконтрольований рух електроінструмента у напрямку, протилежному напрямку обертання робочого інструмента в місці блокування.

При зачепленні або блокуванні шліфувального круга в оброблюваній деталі кромка шліфувального круга, що занурюється в деталь, може застрягти, що може призвести до руйнування круга або спричинити віддачу. При цьому шліфувальний круг рухається або в напрямку оператора, або від нього (залежно від напрямку обертання круга в місці блокування). Це може також спричинити руйнування шліфувального круга.

Віддача є наслідком неправильного або помилкового використання електроінструмента. За умови дотримання відповідних заходів безпеки, що наведені нижче, цього явища можна уникнути.



- ▶ **Надійно тримайте електроінструмент, прийнявши таке положення тіла і рук, при якому Ви зможете амортизувати віддачу інструмента.** За умови дотримання відповідних заходів безпеки оператор може амортизувати віддачу інструмента.
- ▶ **Будьте вкрай уважними під час обробки кутів, гострих кромок тощо. Не допускайте відскакування змінних робочих інструментів або їхнього заїдання в оброблюваних деталях.** Змінний робочий інструмент, що обертається, може заїдати під час обробки кутів, гострих кромок або у випадку його відскакування. Це стає причиною втрати контролю над інструментом або виникнення віддачі.
- ▶ **Не використовуйте зубчасті пиляльні полотна.** Використання таких змінних робочих інструментів найчастіше викликає віддачу або призводить до втрати контролю над інструментом.
- ▶ **Завжди підводьте змінний робочий інструмент до матеріалу у тому напрямку, в якому різальна кромка виходить із матеріалу (цей напрямок відповідає напрямку викидання стружки).** Підведення електроінструмента у неправильному напрямку призводить до відскакування кромки змінного робочого інструмента з оброблюваної деталі, внаслідок чого електроінструмент зміщується у напрямку просування.
- ▶ **Завжди надійно фіксуйте оброблювальну деталь під час використання обертових напилків, відрізних кругів, високошвидкісних або твердосплавних фрез.** Навіть за наявності незначного перекошування ці змінні робочі інструменти застряють у пазі, що може спричинити віддачу. Заклинювання відрізного круга зазвичай призводить до його руйнування. Якщо станеться заклинювання обертового напилка, високошвидкісної або твердосплавної фрези, то змінний робочий інструмент може вискочити із паза, внаслідок чого оператор може втратити контроль над електроінструментом.

#### **Особливі вказівки з техніки безпеки при використанні шліфувальних та відрізних кругів:**

- ▶ **Застосовуйте тільки допущені до експлуатації абразивні змінні робочі інструменти та використовуйте їх лише за призначенням.** Приклад: Забороняється виконувати шліфування боковою поверхнею відрізного круга. Відрізні круги призначені для зняття матеріалу кромкою круга. Вплив бокової сили на ці абразивні змінні робочі інструменти може стати причиною їхнього руйнування.
- ▶ **Для конічних та прямих шліфувальних штифтів із різьбою застосовуйте лише непошкоджені оправки відповідного розміру і довжини без заглиблення на плечі.** Правильний вибір оправки зменшує ризик її руйнування.
- ▶ **Уникайте блокування або занадто сильного притискання відрізного круга. Не виконуйте занадто глибоких розрізів.** Перенавантаження відрізного круга збільшує його зношування та схильність до перекошу або блокування, а разом з тим і можливість віддачі або руйнування круга.
- ▶ **Намагайтеся не наближати руки до зони перед обертовим відрізним кругом і за ним.** Якщо Ви вирішите змістити відрізний круг від руки, то може виникнути віддача: у цьому випадку електроінструмент із відрізним кругом в оброблюваній деталі може раптово зсунути прямо на Вас.
- ▶ **У випадку заклинювання відрізного круга або переривання роботи вимкніть інструмент і дочекайтеся повної зупинки круга. Ніколи не намагайтеся витягнути із розпилу відрізний круг, що продовжує обертатися, інакше можлива віддача.** З'ясуйте і усуньте причину защемлення.
- ▶ **Не вмийкайте інструмент знову, якщо він все ще перебуває в оброблюваній деталі. Перед продовженням роботи дочекайтеся, поки інструмент не досягне робочої частоти обертання.** Інакше можлива віддача, заклинювання круга або його вискакування з оброблюваної деталі.
- ▶ **Підпирайте плити або деталі великого розміру, щоб знизити ризик віддачі у випадку заїдання відрізного круга.** Великі оброблювані деталі можуть прогинатися під дією власної ваги. Оброблювану деталь потрібно підпирати з обох боків круга як поблизу від місця виконання різання, так і вздовж кромки деталі.
- ▶ **Будьте особливо уважні, коли виконуєте заглибне різання в стіні або в інших місцях з недостатнім обзором.** Занурення відрізного круга в робочу поверхню під час різання газопроводів, водопроводів, електричних дротів або інших предметів може спричинити віддачу.

#### **Додаткові вказівки з техніки безпеки при роботі з дротовими щітками:**

- ▶ **Пам'ятайте, що дротові щітки втрачають шматочки дроту навіть при звичайному використанні. Не притискайте їх занадто сильно.** Шматочки дроту, що відлітають, можуть легко проходити через тонку тканину одягу та/або проникати в шкіру.
- ▶ **Перед використанням щіток дайте їм попрацювати на робочій швидкості протягом принаймні однієї хвилини. Подбайте про те, щоб у цей час ніхто не знаходився у площині обертання щітки.** Під час припрацювання від щітки можуть відлітати незакріплені шматочки дроту.
- ▶ **Дротову щітку, що обертається, спрямовуйте від себе.** Під час роботи з такими щітками від них можуть на значній швидкості відлітати невеликі частки матеріалу та дрібні шматочки дроту, які можуть проникати у шкіру.



### 2.3 Застосування акумуляторних батарей та дбайливий догляд за ними

- ▶ Дотримуйтеся також особливих указівок щодо транспортування, складського зберігання та застосування літій-іонних акумуляторних батарей.
- ▶ Не піддавайте акумуляторні батареї впливу високих температур, прямих сонячних променів та відкритого вогню.
- ▶ Акумуляторні батареї забороняється розбирати, роздавлювати, нагрівати до температури понад 80 °C або спалювати.
- ▶ Не використовуйте та не заряджайте акумуляторні батареї, які зазнали впливу ударного навантаження, впали з висоти більше одного метра або були пошкоджені іншим чином. У разі виникнення такої ситуації завжди звертайтеся до **сервісної служби** компанії **Hilti**.
- ▶ Якщо акумуляторна батарея гаряча на дотик, вона може бути пошкоджена. Залиште інструмент у захищеному від вогню місці на достатній відстані від горючих матеріалів, де за ним можна спостерігати, і дайте йому охолонути. У разі виникнення такої ситуації завжди звертайтеся до **сервісної служби** компанії **Hilti**.

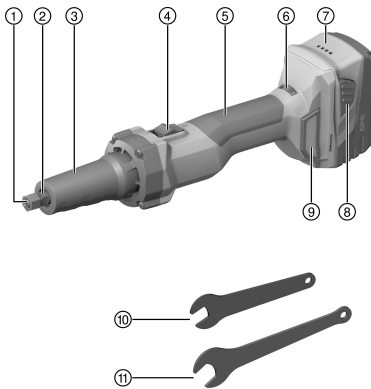
### 2.4 Додаткові вказівки з техніки безпеки

- ▶ Під час роботи утримуйте інструмент таким чином, щоб абразивний пил, потік іскор та можливі уламки, які відлітають від змінного робочого інструмента або оброблюваної деталі, не були спрямовані на Вас.
- ▶ Для заміни робочих інструментів використовуйте тільки відповідні непошкоджені ключі.
- ▶ Обертання змінних робочих інструментів повинне бути ідеально рівномірним. Не використовуйте змінні робочі інструменти некруглої форми.
- ▶ Не видаляйте стружку або осколки матеріалу при увімкненому інструменті. Вимкніть інструмент.
- ▶ Умикати інструмент дозволяється лише у межах робочої зони.
- ▶ Заміну робочих інструментів виконуйте в захисних рукавицях, оскільки робочі інструменти та затискний патрон сильно нагріваються під час застосування.
- ▶ Щоб під час роботи у Вас не затерпали руки, робіть перерви та виконуйте вправи на розслаблення і розминання пальців з метою покращення в них кровообігу. Під час довготривалих робіт вібрація може пошкодити судини або нерви у пальцях, руках або зап'ясткових суглобах.
- ▶ Подбайте про належну вентиляцію робочого місця та користуйтеся респіратором, який підходить до матеріалу, що обробляється.
- ▶ Перш ніж уставляти змінний робочий інструмент, видаліть з його хвостовика усі забруднення. Переконайтеся, що хвостовик змінного робочого інструмента уставлений у цанговий патрон принаймні на 20 мм. Уставивши змінний робочий інструмент, надійно затягніть затискну гайку. Змінний робочий інструмент, закріплений неналежним чином, може під час застосування від'єднатися від інструмента та на великій швидкості відлетіти в сторону.
- ▶ Використовуйте тільки ті змінні робочі інструменти, які відповідають параметрам, наведеним у технічних даних інструмента.



### 3 Опис

#### 3.1 Огляд продукту



- ① Затискна гайка із цанговим патроном
- ② Шпиндель
- ③ Шийка / передня рукоятка
- ④ Вимикач із функцією фіксації
- ⑤ Рукоятка
- ⑥ Регульовальне колесо для встановлення частоти обертання
- ⑦ Акумуляторна батарея
- ⑧ Деблокувальна кнопка акумуляторної батареї
- ⑨ Фільтр для уловлювання пилу
- ⑩ Малий ключ, 12 мм
- ⑪ Великий ключ, 17 мм

#### 3.2 Використання за призначенням

Описаний у цьому документі інструмент являє собою пряму шліфувальну машину. Він призначений для обробки металу. Він дозволяє застосовувати шліфувальні та відрізні круги, працювати із дровтовими щітками, а також виконувати полірування та фрезерування.

Використовуйте змінні робочі інструменти тільки у тому випадку, якщо діаметр їхнього хвостовика відповідає розміру цангового патрона. Звертайте увагу на параметри, наведені у технічних даних інструмента.

Цей інструмент підходить виключно для сухої обробки – без застосування води.

- Використовуйте із цим інструментом лише літій-іонні акумуляторні батареї **Hilti** типу В 22.
- Для заряджання цих акумуляторних батарей використовуйте тільки зарядні пристрої, рекомендовані компанією **Hilti**. Додаткову інформацію можна знайти у **Hilti Store** або на веб-сайті **www.hilti.group**

#### 3.3 Комплект постачання

Пряма шліфувальна машина, 2 ключі, інструкція з експлуатації

Інше приладдя, допущене до експлуатації з Вашим інструментом, Ви можете придбати у **Hilti Store** або на веб-сайті **www.hilti.group**

#### 3.4 Індикатор стану заряду літій-іонної акумуляторної батареї

Щоб відобразити стан заряду літій-іонної акумуляторної батареї, слід злегка натиснути на одну з деблокувальних кнопок акумуляторної батареї.

Стан	Значення
4 світлодіоди горять.	Стан заряду: від 75 % до 100 %
3 світлодіоди горять.	Стан заряду: від 50 % до 75 %
2 світлодіоди горять.	Стан заряду: від 25 % до 50 %
Горить 1 світлодіод.	Стан заряду: від 10 % до 25 %
Мигає 1 світлодіод.	Стан заряду: < 10 %

Під час роботи та відразу після її закінчення визначити стан заряду акумуляторної батареї неможливо. Якщо світлодіодні індикатори стану заряду акумуляторної батареї мигають, будь ласка, виконайте вказівки, наведені в розділі «Допомога у разі виникнення несправностей».



#### 4 Технічні дані

Маса відповідно до EPTA Procedure 01 з акумуляторною батареєю B228.0		2,6 кг
Номінальна частота обертання		10 000 об/хв ... 25 000 об/хв
Потрібна частота обертання змінного робочого інструмента		≥ 25 000 об/хв
Діаметр робочої частини змінного робочого інструмента		≤ 55 мм
Діаметр хвостовика змінного робочого інструмента	Цанговий патрон, 6 мм	6 мм
	Цанговий патрон, 1/4 дюйма	1/4 дюйм
Ширина ключа для шпинделя		12 мм
Ширина ключа для затискної гайки		17 мм
Температура зберігання		-20 °C ... 70 °C
Температура навколишнього середовища під час роботи		-17 °C ... 60 °C

#### 4.1 Дані про шум та значення вібрації, виміряні згідно зі стандартом EN 62841

Наведені у цих рекомендаціях значення звукового тиску та вібрації були виміряні згідно з установленою процедурою вимірювання та можуть використовуватися для порівняння електроінструментів. Вони також придатні для попереднього оцінювання шумового та вібраційного навантаження.

Наведені дані обумовлюють переважні сфери застосування електроінструмента. Однак якщо Ви використовуєте його не за призначенням, застосовуєте нестандартне приладдя або неналежним чином здійснюєте догляд за інструментом, ці дані можуть відрізнятись від вказаних значень. Це може призвести до помітного збільшення шумового та вібраційного навантаження протягом усього робочого часу.

Для більш точної оцінки шумового та вібраційного навантаження необхідно враховувати також проміжки часу, протягом яких інструмент залишається вимкненим або працює на холостому ходу. Це може значно зменшити вібраційне та шумове навантаження протягом усього робочого часу.

Необхідно також вживати додаткових заходів безпеки з метою захисту працівників від дії шуму та/або вібрації, зокрема: проводити своєчасне технічне обслуговування електроінструмента та змінних робочих інструментів до нього, утримувати руки у теплі, належним чином організувати робочий процес.

#### Інформація про шум

Рівень звукового тиску ( $L_{pA}$ )	76 дБ(A)
Похибка для рівня звукового тиску ( $K_{pA}$ )	3 дБ(A)
Рівень шумової потужності ( $L_{WA}$ )	87 дБ(A)
Похибка для рівня шумової потужності ( $K_{WA}$ )	3 дБ(A)

#### Інформація про вібрацію

Рівень вібрації ( $a_h$ ), залежно від діаметра змінного робочого інструмента)	< 25 мм	0,7 м/с <sup>2</sup>
	25 ... < 50 мм	15,9 м/с <sup>2</sup>
	50 ... 55 мм	22,2 м/с <sup>2</sup>
Похибка (K)		1,5 м/с <sup>2</sup>

#### 4.2 Акумуляторна батарея

Робоча напруга акумуляторної батареї	21,6 В
Температура навколишнього середовища під час роботи	-17 °C ... 60 °C
Температура зберігання	-20 °C ... 40 °C
Температура акумуляторної батареї на початку процесу заряджання	-10 °C ... 45 °C



## 5 Підготовка до роботи

### ОБЕРЕЖНО

**Ризик отримання травм внаслідок непередбаченого увімкнення інструмента!**

- ▶ Перш ніж установлювати акумуляторну батарею, переконайтеся, що відповідний інструмент вимкнений.
- ▶ Від'єднайте акумуляторну батарею, перш ніж задавати налаштування інструмента або замінити приладдя.

Дотримуйтеся попереджувальних вказівок та вказівок з техніки безпеки, наведених у цьому документі та на корпусі інструмента.

### 5.1 Зарядження акумуляторної батареї

1. Перед зарядженням акумуляторної батареї прочитайте інструкцію з експлуатації зарядного пристрою.
2. Контакти акумуляторної батареї та зарядного пристрою повинні бути чистими та сухими.
3. Заряджайте акумуляторну батарею тільки за допомогою тих зарядних пристроїв, які допущені до застосування з нею.

### 5.2 Установлення акумуляторної батареї

#### ОБЕРЕЖНО

**Ризик отримання травм внаслідок короткого замикання або падіння акумуляторної батареї!**

- ▶ Перш ніж установлювати акумуляторну батарею, переконайтеся, що на контактах батареї та інструмента немає сторонніх предметів.
  - ▶ Завжди перевіряйте, щоб акумуляторна батарея була правильно зафіксована.
1. Перед першим використанням акумуляторну батарею слід повністю зарядити.
  2. Уставте акумуляторну батарею у тримач на інструменті таким чином, щоб вона зафіксувалася із чітким характерним звуком.
  3. Переконайтеся, що акумуляторна батарея надійно зафіксована в інструменті.

### 5.3 Виймання акумуляторної батареї

1. Натисніть на деблокувальні кнопки акумуляторної батареї.
2. Дістаньте акумуляторну батарею з інструмента.

### 5.4 Заміна змінного робочого інструмента

#### УВАГА

**Небезпека пошкодження порожнього цангового патрона через надмірне затягування затискної гайки.**

- ▶ Ніколи не затягуйте затискну гайку, якщо змінний робочий інструмент не вставлений у патрон.

#### ОБЕРЕЖНО

**Небезпека отримання травм або пошкодження обладнання через нерівномірне обертання робочого інструмента або використання пошкодженого робочого інструмента.**

- ▶ Не використовуйте пошкоджені змінні робочі інструменти. Перш ніж розпочинати застосування прямої шліфувальної машини, переконайтеся, що під час її роботи не виникають значні вібрації.
1. Утримуйте малим ключем цанговий патрон, а великим ключем послабте затискну гайку.
  2. Дістаньте змінний робочий інструмент із цангового патрона.
  3. До упору уставте хвостовик змінного робочого інструмента у цанговий патрон.
  4. Довжина відрізка хвостовика L<sub>0</sub>, який залишається між абразивною частиною змінного робочого інструмента та цанговим патроном, повинна становити не більше 10 мм. Хвостовик змінного робочого інструмента повинен бути заглиблений у цанговий патрон не менше ніж на 20 мм.
  5. Утримуйте малим ключем цанговий патрон, а великим ключем затягніть затискну гайку.
  6. Перевірте надійність кріплення змінного робочого інструмента.



## 6 Експлуатація

Дотримуйтеся попереджувальних вказівок та вказівок з техніки безпеки, наведених у цьому документі та на корпусі інструмента.

### 6.1 Увімкнення

1. Натисніть на задню частину вимикача.
2. Пересуньте вимикач уперед.
  - ▶ Двигун працює.
3. Зафіксуйте вимикач.

### 6.2 Під час роботи

1. Увімкніть інструмент. → стор. 108
2. За допомогою регульовального колеса виберіть таке значення частоти обертання, яке відповідає встановленому змінному робочому інструменту та цілі його застосування.
3. Для обробки матеріалу завжди використовуйте лише передбачену для цього робочу поверхню змінного робочого інструмента. Приклад: Забороняється виконувати шліфування боковою поверхнею відрізного круга. Відрізнi круги призначені для зняття матеріалу кромкою круга.
4. Зафіксуйте деталь, яку плануєте обробляти. Під час роботи з електроінструментом забороняється утримувати його в одній руці, а малагабаритну оброблювану деталь – в іншій. Завжди міцно тримайте пряму шліфувальну машину обома руками за передбачені для цього рукоятки.
5. Підведіть пряму шліфувальну машину до оброблюваної деталі. Помірно натискайте на інструмент, але не притискайте змінний робочий інструмент до оброблюваного матеріалу занадто сильно.

### 6.3 Вимикання інструмента

- ▶ Натисніть на задню частину вимикача.
  - ▶ Вимикач переходить у положення вимкнення, після чого двигун зупиняється.

## 7 Догляд і технічне обслуговування



### ПОПЕРЕДЖЕННЯ

**Небезпека травмування під час виконання робіт на інструменті з установленою акумуляторною батареєю!**

- ▶ Завжди діставайте з інструмента акумуляторну батарею, перш ніж розпочинати будь-які роботи з догляду та технічного обслуговування!

#### Догляд за інструментом

- Обережно видаляйте накопичення бруду.
- Обережно прочищайте вентиляційні прорізи сухою щіткою.
- Протирайте корпус вологою тканиною. Забороняється використовувати миючі засоби, що містять силікон, оскільки вони можуть пошкодити пластмасові деталі.

#### Догляд за літій-іонними акумуляторними батареями

- Тримайте акумуляторну батарею у чистоті, не допускайте її забруднення мастильними матеріалами.
- Протирайте корпус вологою тканиною. Забороняється використовувати миючі засоби, що містять силікон, оскільки вони можуть пошкодити пластмасові деталі.
- Уникайте потрапляння вологи всередину інструмента.

#### Технічне обслуговування

- Регулярно перевіряйте усі зовнішні частини на наявність пошкоджень, а органи керування інструмента – на предмет справної роботи.
- Якщо Ви виявили пошкодження та/або порушення функціональності інструмента, припиніть його використання. Негайно зверніться до сервісної служби компанії **Hilti** для здійснення ремонту.
- Після проведення догляду і технічного обслуговування встановіть усі захисні пристрої та перевірте їхню роботу.







Щоб гарантувати належну роботу інструмента, використовуйте тільки оригінальні запасні частини та видаткові матеріали. Рекомендовані запасні частини, видаткові матеріали та приладдя для Вашого інструмента Ви можете придбати у найближчому магазині **Hilti Store** або на веб-сайті [www.hilti.group](http://www.hilti.group).

## 7.1 Заміна затискної гайки

### УВАГА

**Небезпека пошкодження** порожнього цангового патрона через надмірне затягування затискної гайки.

▶ Ніколи не затягуйте затискну гайку, якщо змінний робочий інструмент не вставлений у патрон.

1. Утримуйте малим ключем шпindel, а великим ключем послабте затискну гайку.
2. За необхідності дістаньте змінний робочий інструмент із цангового патрона.
3. Повністю відкрутіть затискну гайку із цанговим патроном від прямої шліфувальної машини.
4. Установіть на шпindel нову затискну гайку із цанговим патроном і прикрутіть затискну гайку до шпинделя. Не затягуйте затискну гайку.

## 8 Транспортування і зберігання акумуляторних інструментів

### Транспортування

#### ОБЕРЕЖНО

**Непередбачене увімкнення інструмента під час транспортування !**

- ▶ На час транспортування завжди діставайте з інструмента акумуляторну батарею!
- ▶ Вийміть акумуляторні батареї.
- ▶ Не слід перевозити акумуляторні батареї у незапакованому вигляді.
- ▶ Перш ніж використовувати інструмент, змінні робочі інструменти та акумуляторні батареї після дальніх перевезень, їх слід перевірити на наявність пошкоджень.

### Зберігання

#### ОБЕРЕЖНО

**Непередбачене пошкодження інструмента через несправність акумуляторної батареї або через виток електроліту з акумуляторної батареї !**

- ▶ На час зберігання завжди діставайте з інструмента акумуляторну батарею!
- ▶ Зберігайте інструмент, змінні робочі інструменти та акумуляторні батареї у якомога більш прохолодному та сухому місці.
- ▶ Забороняється зберігати акумуляторні батареї на сонці, на опалювальних приладах або на підвіконні.
- ▶ Зберігайте інструмент, змінні робочі інструменти та акумуляторні батареї у місці, недоступному для дітей та сторонніх осіб.
- ▶ Перш ніж використовувати інструмент, змінні робочі інструменти та акумуляторні батареї після довгого зберігання, їх слід перевірити на наявність пошкоджень.

## 9 Допомога у разі виникнення несправностей

У разі виникнення несправностей, які не зазначені у цій таблиці або які Ви не можете полагодити самостійно, зверніться до сервісної служби компанії **Hilti**.

Несправність	Можлива причина	Рішення
Акумуляторна батарея розряджається швидше, ніж звичайно.	Занадто низька температура навколишнього середовища.	▶ Зачекайте, доки акумуляторна батарея повільно нагріється до кімнатної температури.
Акумуляторна батарея не зафіксується з чітким відчутним клацанням.	Фіксатори акумуляторної батареї засмічені.	▶ Прочистьте зачіпки фіксаторів та вставте акумуляторну батарею знову.
Мигає 1 світлодіод. Інструмент не працює.	Акумуляторна батарея розряджена.	▶ Замініть акумуляторну батарею та зарядіть розряджену акумуляторну батарею.



Несправність	Можлива причина	Рішення
Мигає 1 світлодіод. Інструмент не працює.	Акумуляторна батарея занадто холодна або гаряча.	▶ Зачекайте, доки акумуляторна батарея повільно нагріється або охолоне до кімнатної температури.
Усі 4 світлодіоди мигають. Інструмент не працює.	Інструмент перенавантажений.	▶ Вимкніть інструмент, а потім увімкніть його знову. Після цього дайте інструменту попрацювати приблизно 30 секунд на холостому ходу.
Інструмент або його акумуляторна батарея сильно перегріваються.	Електрична несправність	▶ негайно вимкніть інструмент, дістаньте акумуляторну батарею, поспостерігайте за нею, дайте їй охолонути, після чого зверніться до сервісної служби компанії <b>Hilti</b> .
Інструмент працює не на повну потужність.	Використовується акумуляторна батарея занадто низької ємності.	▶ Скористайтеся акумуляторною батареєю достатньої ємності.
Не працює функція гальмування двигуном.	Акумуляторна батарея розряджена.	▶ Замініть акумуляторну батарею та зарядіть розряджену акумуляторну батарею.
	Сталося короткочасне перенавантаження інструмента.	▶ Вимкніть інструмент, а потім увімкніть його знову.
Інструмент сильно вібрує.	Змінний робочий інструмент не підходить до інструмента.	▶ Використовуйте тільки ті змінні робочі інструменти, які відповідають параметрам, наведеним у технічних даних інструмента.
	Змінний робочий інструмент пошкоджений, обертається нерівномірно або незбалансований.	▶ Використовуйте тільки ті змінні робочі інструменти, які не мають жодних недоліків.
	Інструмент несправний	▶ Якщо змінний робочий інструмент не є причиною несправності, будь ласка, зверніться до сервісної служби компанії <b>Hilti</b> .

## 10 Утилізація

Більшість матеріалів, з яких виготовлено інструменти компанії **Hilti**, придатні для вторинної переробки. Передумовою для їхньої вторинної переробки є належне сортування відходів за типом матеріалу. У багатьох країнах світу компанія **Hilti** приймає старі інструменти для їхньої утилізації. Щоб отримати додаткову інформацію з цього питання, звертайтеся до сервісної служби компанії **Hilti** або до свого торгового консультанта.

### Утилізація акумуляторних батарей

У разі неналежної утилізації акумуляторних батарей з них можуть виходити небезпечні для здоров'я газу або рідини.

- ▶ Пошкоджені акумуляторні батареї забороняється пересилати поштою або кур'єрською службою!
- ▶ Закрийте контакти акумуляторних батарей електронепровідним матеріалом, щоб запобігти короткому замиканню.
- ▶ Утилізуйте акумуляторні батареї таким чином, щоб вони не потрапили до рук дітей.
- ▶ Щоб утилізувати акумуляторну батарею, передайте її до найближчого магазину **Hilti Store** або зверніться до представника відповідної компанії з утилізації відходів.



- ▶ Не викидайте електроінструменти, електронні пристрої та акумуляторні батареї у баки для побутового сміття!



## 11 RoHS (директива КНР про обмеження використання небезпечних речовин)

Щоб переглянути таблицю з інформацією про небезпечні речовини, будь ласка, перейдіть за таким посиланням: [qr.hilti.com/r/11229136](http://qr.hilti.com/r/11229136).

Посилання на таблицю з інформацією про речовини, включені до директиви RoHS, наведене наприкінці цього документа у вигляді QR-коду.

## 12 Гарантійні зобов'язання виробника

- ▶ Із питань гарантії, будь ласка, звертайтеся до Вашого місцевого партнера компанії **Hilti**.

## Түпнұсқа пайдалану бойынша нұсқаулық

### 1 Құжаттама бойынша деректер

#### 1.1 Бұл құжаттама туралы



#### Импорттауыш және өндірушінің өкілетті ұйымы

- (RU) Ресей Федерациясы  
"Хилти Дистрибьюшн ЛТД" АҚ, 141402, Мәскеу облысы, Химки қ., Ленинградская көш., ғим. 25
- (BY) Беларусь Республикасы  
222750, Минск облысы, Дзержинский ауданы, Р-1, 18-ші км, 2 (Слободка ауылының жанында), 1-34 бөлімі
- (KZ) Қазақстан Республикасы  
Қазақстан Республикасы, индекс 050011, Алматы қ., Пугачев көш., 4-үй
- (KG) Қырғыз Республикасы  
"Т AND Т" ЖШҚ, 720021, Қырғызстан, Бішкек қ., Ибраимов көш., 29 А үйі
- (AM) Армения Республикасы  
Эйч-Кон ЖШҚ, Армения Республикасы, Ереван қ., Бабаян көш., 10/1 үйі

Өндірілген елі: жабдықтағы белгілеу тақтайшасын қараңыз.

Өндірілген күні: жабдықтағы белгілеу тақтайшасын қараңыз.

Тиісті сертификатты мына мекенжай бойынша табуға болады: [www.hilti.ru](http://www.hilti.ru)

Сақтау, тасымалдау және пайдалану шарттарына пайдалану бойынша нұсқаулықта белгіленгеннен басқа арнайы талаптар қойылмайды.

Өнімнің қызмет ету мерзімі 5 жыл.

- Іске қосу алдында осы құжаттаманы оқып шығыңыз. Бұл қауіпсіз жұмыс пен ақаусыз басқару үшін алғышарт болып табылады.
- Осы құжаттамадағы және өнімдегі қауіпсіздік және ескерту нұсқауларын орындаңыз.
- Пайдалану бойынша нұсқаулықты әрдайым өнімде сақтаңыз және оны басқа тұлғаларға тек осы нұсқаулықпен бірге тапсырыңыз.

#### 1.2 Шартты белгілердің анықтамасы

##### 1.2.1 Ескерту

Ескертулер өнімді қолдану барысындағы қауіптер туралы ескертеді. Төмендегі сигналдық сөздер пайдаланылады:



#### ҚАУІПТІ!

- ▶ Ауыр жарақаттарға әкелетін немесе өмірге қауіп төндіретін тікелей қауіпті жағдайдың жалпы белгіленуі.



## ⚠ ЕСКЕРТУ

### ЕСКЕРТУ !

- ▶ Ауыр жарақаттарға әкелуі немесе өмірге қауіп төндіруі мүмкін ықтимал қауіпті жағдайдың жалпы белгіленуі.

## ⚠ АБАЙЛАҢЫЗ

### АБАЙЛАҢЫЗ !

- ▶ Жеңіл жарақаттарға немесе аспаптың зақымдалуына әкелуі мүмкін ықтимал қауіпті жағдайдың жалпы белгіленуі.

### 1.2.2 Құжаттамадағы белгілер

Бұл құжаттамада төмендегі белгілер пайдаланылады:

	Пайдалану алдында пайдалану бойынша нұсқаулықты оқу қажет
	Аспапты пайдалану бойынша нұсқаулар және басқа пайдалы ақпарат
	Қайта пайдалануға болатын материалдармен жұмыс істеу
	Электр аспаптарды және аккумуляторларды тұрмыстық қоқысқа тастамаңыз

### 1.2.3 Суреттердегі белгілер

Суреттерде төмендегі белгілер қолданылады:

	Бұл сандар осы нұсқаулықтың басындағы әр суретке сәйкес келеді
	Нөмірлеу суреттегі жұмыс қадамдарының реттілігін білдіреді және мәтіндегі жұмыс қадамдарынан өзгешеленуі мүмкін
	Позиция нөмірлері <b>Шолу</b> суретінде қолданылады және <b>Өнімге шолу</b> мақаласындағы шартты белгілердің нөмірлеріне сілтейді
	Аталмыш белгілер өнімді қолдану барысында айрықша назарыңызды аудартады.

## 1.3 Өнімге қатысты белгілер

### 1.3.1 Өнімдегі белгілер

Өнімде төмендегі белгілер пайдаланылуы мүмкін:

	Құрылғы iOS және Android платформаларымен үйлесімді NFC технологиясын қолдайды.
	Пайдаланылған Hilti литий-ион аккумуляторларының сериясы. <b>Қолдану мақсаты</b> бөліміндегі нұсқауларды орындаңыз.
Li-Ion	Литий-иондық аккумулятор
	Аккумуляторды еш жағдайда соқпа құрал ретінде пайдаланбаңыз.
	Аккумуляторды құлатып жібермеңіз. Соққы тиген немесе басқа жолмен зақымдалған аккумуляторды пайдаланбаңыз.
	Тұрақты ток
	Қорғаныш көзілдірікті киіп жүріңіз!
n	Номиналды айналу жиілігі
/min	Минут ішіндегі айналымдар



RPM	Минут ішіндегі айналымдар
∅	Диаметр

#### 1.4 Өнім туралы ақпарат

өнімдері кәсіби пайдаланушыларға арналған және оларды тек қана өкілетті, білікті қызметкерлер пайдалануы, күтім және техникалық қызмет көрсетуі тиіс. Қызметкерлер қауіпсіздік техникасы бойынша арнайы нұсқау алуы керек. Өнім мен оның қосалқы құралдарын басқа мақсатта қолдану немесе олардың оқытылмаған қызметкерлердің тарапынан пайдаланылуы қауіпті. Түр сипаттамасы мен сериялық нөмір фирмалық тақтайшада берілген.

- Сериялық нөмірді төмендегі кестеге көшіріп қойыңыз. Өнім туралы мәліметтерді өкілдігімізге немесе қызмет көрсету бөлімімізге сұрау беру арқылы алуға болады.

##### Өнім туралы мәліметтер

Аккумуляторлық тік ажарлағыш машина	GDG 6-A22
Буын	01
Сериялық нөмір	

#### 1.5 Сәйкестілік декларациясы

Біз осы нұсқаулықта сипатталған өнімнің қолданыстағы директивалар мен нормативтерге сәйкес келетінін толық жауапкершілікпен жариялаймыз. Сәйкестілік декларациясының суреті осы құжаттаманың соңында орналасқан.

Техникалық құжаттама мына жерде сақталған:

Hilti Entwicklungsgesellschaft mbH | Zulassung Geräte | Hiltistraße 6 | 86916 Kaufering, DE

## 2 Қауіпсіздік

### 2.1 Электр құралдары үшін қауіпсіздік техникасы бойынша жалпы нұсқаулар

**⚠ ЕСКЕРТУ** Бұл электр құралына арналған барлық қауіпсіздік нұсқауларын, нұсқауларды, суреттерді және техникалық деректерді оқып шығыңыз. Төменде берілген нұсқауларды орындамау электр тогының соғуына, өртке әкелуі мүмкін және/немесе ауыр жарақаттарды тудыруы мүмкін.

**Қауіпсіздік техникасы бойынша барлық нұсқауларды және нұсқауларды келесі пайдаланушы үшін сақтаңыз.**

Қауіпсіздік нұсқауларында қолданылатын «электр құралы» термині электр желісінен (желілік кабельмен) және аккумулятордан (желілік кабельсіз) жұмыс істейтін электр құралын білдіреді.

#### Жұмыс орны

- **Жұмыс орнындағы тазалықты және тәртіпті қадағалаңыз.** Жұмыс орнындағы ретсіздік және нашар жарық сәтсіз жағдайларға әкелуі мүмкін.
- **Жанғыш сұйықтықтар, газдар немесе шаң бар жарылыс қаупі бар аймақта электр құралын қолданбаңыз.** Жұмыс кезінде электр құралдары ұшқындар шығады және ұшқындар шаңды немесе буларды тұтандыруы мүмкін.
- **Балалардың және бөгде адамдардың жұмыс істеп тұрған электр құралына жақындауына рұқсат етпеңіз.** Жұмысқа көңіл бөлмегенде, электр құралын бақылау жоғалуы мүмкін.

#### Электр қауіпсіздігі

- **Электр құралдың байланыс ашасы электр желісінің розеткасына сай болуы керек. Айырдың конструкциясын өзгертіңіз. Қорғауыш жерге қосуы бар электр құралдарымен бірге өтпелі айырларды қолданбаңыз.** Түпнұсқа айырлар және оларға сай розеткалар электр тогының соғу қаупін азайтады.
- **Жерге қосылған беттерге, мысалы, құбырларға, жылыту құралдарына, пештерге (плиталарға) және тоңазытқыштарға тікелей тиюді болдырмаңыз.** Жерге қосылған заттарға тигенде электр тогының соғуының үлкен қаупі туындайды.
- **Электр құралдарды жаңбырдан немесе ылғал әсерінен сақтаңыз.** Электр құралға су тиюі нәтижесінде электр тогының соғу қаупі артады.
- **Байланыс сымын басқа мақсатта қолданбаңыз, мысалы, электр құралды тасымалдау, оны іліп қою немесе электр желісінің розеткасынан айырды шығару үшін.** Байланыс сымын жылу,



май, өткір жиектер немесе жылжымалы бөліктерден алшақ ұстаңыз. Байланыс сымының зақымдалуы немесе қабаттасуы нәтижесінде электр тогының соғу қаупі артады.

- ▶ Егер жұмыстар ашық ауада орындалса, тек бөлмелерден тыс қолдануға рұқсат етілген ұзартқыш сымдарды пайдаланыңыз. Бөлмелерден тыс қолдануға жарамды ұзартқыш сымды пайдалану электр тогының соғу қаупін азайтады.
- ▶ Егер электр құралмен ылғалдылық жағдайларында жұмыс істеуді болдырмау мүмкін емес болса, шығып кететін токтан қорғау автоматын қолданыңыз. Шығып кететін токтан қорғау автоматын қолдану электр тогының соғу қаупін азайтады.

#### Адамдардың қауіпсіздігі

- ▶ Ұқыпты болыңыз, әрекеттеріңізге көңіл бөліңіз және электр құралымен жұмыс істеуге дұрыс қараңыз. Шаршаған кезде немесе есірткі, алкоголь не дәрі қабылдаған соң электр құралын қолданбаңыз. Электр құралын қолданған кездегі зейінсіздік ауыр жарақаттарға апарып соғуы мүмкін.
- ▶ Жеке қорғану құралдарын пайдаланыңыз және әрқашан міндетті түрде қорғауыш көзілдірікті киіңіз. Электр құралының түріне және пайдалану жағдайларына байланысты жеке қорғану құралдарын, мысалы, шаңнан қорғайтын респираторды, сырғымайтын аяқ киімді, қорғауыш шлемді, естуді қорғау құралдарын қолдану жарақаттану қаупін азайтады.
- ▶ Электр құралының кездейсоқ қосылуын болдырмаңыз. Электр қуатына қосу және/немесе аккумуляторды қою, көтеру немесе тасымалдау алдында электр құралы өшірілгеніне көз жеткізіңіз. Электр құралын тасымалдағанда саусақтар сөндіргіште болатын немесе қосылған электр құралы желіге қосылатын жағдайлар сәтсіз жағдайларға әкелуі мүмкін.
- ▶ Электр құралын қосу алдында реттеуші құрылғыларды және гайка кілтін алыңыз. Электр құралының айналатын бөлігіндегі аспап немесе кілт жарақаттарға әкелуі мүмкін.
- ▶ Жұмыс кезінде ыңғайсыз қалыптарға тұрмауға тырысыңыз. Үнемі тұрақты күйді және тепе-теңдікті сақтаңыз. Бұл күтпеген жағдайларда электр құралын жақсырақ басқаруға мүмкіндік береді.
- ▶ Арнайы киімді киіңіз. Өте бос киімді немесе әшекейлерді кимеңіз. Шашты, киімді және қолғапты электр құралының айналатын түйіндерінен сақтаңыз. Бос киім, әшекейлер және ұзын шаш оларға ілінуі мүмкін.
- ▶ Егер шаңды жинау және кетіруге арналған құрылғыларды қосу қарастырылған болса, олар қосылғанына және мақсаты бойынша қолданылып жатқанына көз жеткізіңіз. Шаңды кетіру модулін пайдалану шаңның зиянды әсерін азайтады.
- ▶ Өз мойныңызға қате қауіпсіздік сезімін алмаңыз және электр құралына арналған қауіпсіздік ережелерін бұзбаңыз, тіпті электр құралын жиі қолданатын тәжірибелі пайдаланушы болсаңыз. Мұқиятсыз қолдану бірнеше секундта ауыр жарақаттануға апарып соғуы мүмкін.

#### Электр құралын қолдану және оған қызмет көрсету

- ▶ Аспапқа шамадан тыс жүктеме түсуін болдырмаңыз. Нақ осы жұмысқа арналған электр құралын қолданыңыз. Бұл ережені сақтау көрсетілген қуат диапазонында жоғарырақ жұмыс сапасын және қауіпсіздігін қамтамасыз етеді.
- ▶ Сөндіргіші бұзылған электр құралын қолданбаңыз. Қосу немесе өшіру қиын электр құралы қауіпті және оны жөндеу керек.
- ▶ Электр құралын реттеуге, саймандарды ауыстыруға кірісу алдында немесе жұмыстағы үзіліс алдында розеткадан ашаны және/немесе электр құралына арналған алмалы аккумуляторды шығарыңыз. Бұл сақтық шарасы электр құралының кездейсоқ қосылуын болдырмайды.
- ▶ Қолданылмайтын электр құралдарын балалар жетпейтін жерде сақтаңыз. Аспаппен таныс емес немесе осы нұсқауларды оқып шықпаған адамдарға аспапты пайдалануға рұқсат бермеңіз. Электр құралдары тәжірибесі жоқ пайдаланушылардың қолында қауіпті болады.
- ▶ Электр құралдары мен керек-жарақтарға ұқыпты қараңыз. Айналмалы бөліктердің мүлтіксіз қызмет ететінін, олардың жүрісінің жеңілдігін, барлық бөліктердің тұтастығын және электр құралының жұмысына теріс әсер етуі мүмкін зақымдардың жоқтығын тексеріңіз. Аспаптың зақымдалған бөліктерін оны қолдану алдында жөндеуге өткізіңіз. Электр құралына техникалық қызмет көрсету ережелерін сақтамау көп сәтсіз жағдайлардың себебі болып табылады.
- ▶ Кескіш аспаптардың үшкір және таза болуын қадағалау керек. Жұмыс күйінде сақталатын кескіш аспаптардың сыналануы сиректеу болады, оларды басқару жеңілдеу.
- ▶ Электр құралын, саймандарды, көмекші құрылғыларды және т.б. нұсқауларды сай пайдаланыңыз. Бұл кезде жұмыс жағдайларын және орындалатын жұмыстың сипатын ескеріңіз. Электр құралдарын басқа мақсаттарда қолдану қауіпті жағдайларға әкелуі мүмкін.
- ▶ Тұтқыштар мен тұтқыш беттерін таза, құрғақ, май іздеріңіз ұстаңыз. Сырғанақ тұтқыштар мен олардың беттері белгілі бір жағдайларда электр құралының қауіпсіз қолданылуы мен басқарылуына жол бермейді.



### Аккумуляторлық аспапты пайдалану және оған қарау

- ▶ Аккумуляторды тек өндіруші ұсынған зарядтағыш құрылғылардың көмегімен зарядтаңыз. Зарядтағыш құрылғыны тиісті емес аккумулятор түрлерін зарядтау үшін қолданғанда өрт туындауы мүмкін.
- ▶ Аспаппен жұмыс істеу үшін тек тиісті аккумуляторларды қолданыңыз. Басқа аккумуляторларды пайдалану жарақаттарға әкелуі және өрт тудыруы мүмкін.
- ▶ Пайдаланылмайтын аккумуляторларды контакттардың тұйықталуының себебі болуы мүмкін скрепалардан, тындардан, кілттерден, инелерден, винттерден және басқа металл заттардан ары сақтаңыз. Аккумулятор контактарының тұйықталуы күйіктерге немесе тұтануға әкелуі мүмкін.
- ▶ Аккумулятормен тиісті емес түрде жұмыс істегенде одан электролит ағып шығуы мүмкін. Оған тиюді болдырмаңыз. Кездейсоқ тигенде сумен шайыңыз. Электролит көзге тигенде дәрігер көмегіне жүгініңіз. Аккумулятордан ағып шыққан электролит тері тітіркенуін немесе күйіктерді тудыруы мүмкін.
- ▶ Зақымдалған не пішіні өзгертілген аккумуляторларды қолданбаңыз. Зақымдалған не пішіні өзгертілген аккумуляторларды болжауға болмайды және олар өрт, жарылыс не жарақаттану қаупін тудырады.
- ▶ Аккумуляторды өрт не жоғары температуралы аймақтардан алшақ ұстаңыз. Өрт немесе 130 °C (265 °F) жоғары температуралар жарылыс тудыруы мүмкін.
- ▶ Зарядтау үшін барлық нұсқауларды орындаңыз және аккумулятор не аккумуляторлық құралды ешқашан пайдалану бойынша нұсқаулықта берілген температура ауқымдарынан тыс зарядтамаңыз. Қате зарядтау немесе рұқсатты температура ауқымдарынан тыс зарядтау аккумуляторды бұзуы және өрт қаупін арттыруы мүмкін.

### Қызмет

- ▶ Электр құралын жөндеуді тек түпнұсқа қосалқы бөлшектерді қолданатын білікті қызметкерлерге сеніп тапсырыңыз. Бұл электр құралын қауіпсіз күйде сақтауды қамтамасыз етеді.
- ▶ Зақымдалған аккумуляторларға ешқашан қызмет көрсетпеңіз. Аккумулятордың толық күтімін тек өндіруші немесе өкілетті қызмет көрсету орталықтары орындауы тиіс.

## 2.2 Ажарлау, зімпара дискілерімен ажарлау, сым қылшақтармен жұмыс істеу, жылтырату, фрезерлеу және абразивті ажарлау кезіндегі қауіпсіздік техникасы бойынша жалпы нұсқаулар:

- ▶ Бұл электр құрал ажарлағыш, зімпара дискілерімен ажарлағыш, сым қылшақ, жылтыратқыш ретінде, фрезерлеу үшін және абразивті кескіш білдек ретінде пайдаланылуы тиіс. Аспаппен бірге алынған барлық қауіпсіздік техникасы туралы нұсқауларды, нұсқауларды, схемаларды және деректерді орындаңыз. Төменде берілен нұсқауларды орындамау электр тогының соғуына, өртке және/немесе ауыр жарақаттарға әкелуі мүмкін.
- ▶ Өндіруші осы электр құрал үшін арнайы қарастырмаған және ұсынбаған керек-жарақтарды қолданбаңыз. Сіздің электр құралда қандай да сайманды бекіте алғаныңыз оны қауіпсіз пайдалануға кепіл бермейді.
- ▶ Алмалы-салмалы құралда көрсетілген шекті айналу жиілігі электр құралда көрсетілген ең көп айналу жиілігінен азырақ болмауы керек. Рұқсат етілгеннен көбірек жиілікпен айналатын жұмыс аспабы бұзылуы мүмкін.
- ▶ Алмалы-салмалы құралдың сыртқы диаметрі және қалыңдығы электр құралдың өлшемдеріне сай болуы керек. Өлшемдері қажеттіге сай келмейтін жұмыс аспаптарын жеткілікті дәрежеде экрандау немесе басқару мүмкін емес.
- ▶ Ажарлағыш дөңгелектер, ажарлағыш білікшелер немесе басқа керек-жарақтар электр құралдың ажарлағыш шпинделіне немесе цаңгалы қысқышына дәл сәйкес келуі керек. Электр құралының бекітілуіне сай емес жұмыс аспаптары қатты дірілдің пайда болуының себебі болады және электр құралын басқаруды жоғалтуға әкеледі.
- ▶ Өзек темірге монтаждалған дөңгелектер, ажарлағыш цилиндрлер, кескіш құралдар немесе басқа керек-жарақтар цаңгалы қысқышқа немесе қысқыш патронға толықтай енгізілуі тиіс. Ажарлағыш диск пен цаңгалы қысқыш не қысқыш патрон арасындағы өзек темірдің «шығыңқы жері» немесе еркін бөлігі минималды болуы тиіс. Егер өзек темір толық қысылмаған болса немесе ажарлағыш диск тым алыс тұрса, алмалы-салмалы аспап босап қалуы және жоғары жылдамдықпен лақтырылуы мүмкін.
- ▶ Зақымдалған жұмыс аспаптарын қолданбаңыз. Әр пайдалану алдында ажарлағыш дөңгелектер сияқты алмалы-салмалы аспаптарда сынықтар мен сызаттардың, ажарлағыш білікшелерде сызаттар, тозу немесе қатты сырылудың, сым қылшақтарда босаған немесе



үзілген жерлердің бар-жоғын тексеріңіз. Электр құрал немесе жұмыс аспабы құлағаннан кейін оларда зақымдар бар-жоғын тексеріңіз немесе жұмыс аспабын ауыстыруды орындаңыз. Айналатын алмалы-салмалы аспапты қолданғанда оператор мен жанында тұрған тұлғалар одан қауіпсіз қашықтықта болуы керек. Аспапқа бір минут бойы ең көп айналу жиілігімен жұмыс істеуге мүмкіндік беру керек. Ақаулы жұмыс аспаптары көбінесе осы бақылау уақыт аралығында істен шығады.

- ▶ **Жеке қорғану құралдарын пайдаланыңыз. Жағдайларға байланысты қорғауыш масканы немесе қорғауыш көзілдірікті қолданыңыз. Қажет болғанда шаңнан қорғайтын масканы, қорғауыш құлақпапты, қорғауыш қолғаптарды немесе сізді өңдеп жатқан материалдың майда бөлшектерінен қорғайтын арнайы алжапқышты қолданыңыз.** Әр түрлі жұмыстарды орындау кезінде пайда болатын бөлшектердің көзге тиюінен қорғауды қамтамасыз ету керек. Жұмыс кезінде пайда болатын шаңды респиратордың шаңнан қорғайтын сүзгіні ұстап тұруы керек. Қатты шу тым көп әсер еткенде есту қабілеті жоғалуы мүмкін.
- ▶ **Бөгде тұлғалар жұмыс аймағынан қауіпсіз қашықтықта болуын қадағалаңыз. Жұмыс аймағындағы кез келген адам жеке қорғану құралдарын қолдануы керек.** Өңдеп жатқан бөлшектердің немесе бұзылған жұмыс аспаптарының сынықтары шетке ұшуы және тіпті жұмыс аймағының шектерінен тыс жарақаттауы мүмкін.
- ▶ **Пайдаланатын сайманыңыз көзден таса электр желісіне тиіп кетуі мүмкін болса, аспаптың арнайы жеке бөлінген жерінен ғана ұстаңыз.** Электр сымдарына тигенде аспаптың қорғалмаған металл бөліктері кернеу астында болады. Бұл электр тогының соғуына әкелуі мүмкін.
- ▶ **Электр құралын іске қосқан кезде әрдайым мықтап ұстаңыз.** Толық айналу жиілігімен іске қосылған кезде, қозғалтқыштың реакция моменті электр құралының қатты айналып кетуіне әкелуі мүмкін.
- ▶ **Мүмкін болса, дайындаманы бекіту үшін қысқышты пайдаланыңыз. Жұмыс барысында еш жағдайда бір қолыңызда шағын дайындаманы, ал екінші қолыңызда электр құралын ұстамаңыз.** Шағын дайындамаларды қысу арқылы екі қолыңызды да электр құралын жақсырақ бақылау үшін пайдалануға болады. Ағаш тығын, қарнақ материалы немесе құбырлар сияқты домалақ дайындамаларды кескен кезде оларды тек домалату үшін еңкейтіңіз, себебі алмалы-салмалы аспап қысылып, лақтырылуы мүмкін.
- ▶ **Электр құралды алмалы-салмалы аспап толық тоқтағанша алмаңыз.** Айналатын жұмыс аспабы тірек бетіне тиіп, осының салдарынан сіз электр құралды басқаруды жоғалтуыңыз мүмкін.
- ▶ **Алмалы-салмалы аспаптарды алмастырғаннан немесе аспапта реттеулер жасағаннан кейін қанғалы қысқыш гайкасын, қысқыш патронды немесе басқа бекіткіш элементтерді тартыңыз.** Босаған бекіткіш элементтер кенет жылжып қалуы және бақылау мүмкіндігінен айырылуға әкелуі мүмкін; бекітілмеген, айналмалы компоненттер мәжбүрлі түрде лақтырылып шығады.
- ▶ **Тасымалдау кезінде электр құралдың қосылуын болдырмаңыз.** Айналатын алмалы-салмалы аспап кездейсоқ киімніңіздің жиектерін іліп алуы және айналғанда сізді жарақаттауы мүмкін.
- ▶ **Электр құралдың желдету саңылауларын тұрақты түрде тазалаңыз.** Қозғалтқыш корпусына тартылатын металл шаңының артық концентрациясы электр тогының соғу қаупін тудыруы мүмкін.
- ▶ **Оңай тұтанатын материалдардың жанында электр құралды қолданбаңыз.** Ұшқындардың тиюі бұл материалдарды тұтандыруы мүмкін.
- ▶ **Пайдалану үшін салқындату сұйықтықтары қажет алмалы-салмалы аспаптарды қолданбаңыз.** Суды немесе басқа сұйықтықтарын қолдану электр тогының соғу қаупіне әкелуі мүмкін.

### **Қайтарым және тиісті нұсқаулар**

Қайтарым айналып жатқан аспап (ажарлағыш дөңгелек, ажарлағыш тәрелке, сым қылшақ және т.б.) іліну немесе бұғатталу кезінде пайда болатын күтпеген реакция болып табылады. Іліну немесе бұғатталу айналып жатқан жұмыс аспабының кенет тоқтауына әкеледі. Бұғатталу орнында жұмыс аспабының қарама-қарсы бағытта айналуына байланысты электр құралдың басқарылмайтын қозғалысы орын алады.

Өңдеп жатқан бөлшекте ажарлағыш дөңгелек ілінгенде немесе бұғатталғанда, бөлшекке салынатын ажарлағыш дөңгелектің жиегі тұрып қалуы мүмкін. Бұл дөңгелектің сынуына әкеледі немесе қайтарымы тудырады. Бұл кезде ажарлағыш дөңгелек оператор бағытында немесе оған кері қозғалады (бұғатталу сәтінде дөңгелектің айналу бағытына байланысты). Сонымен бірге бұл ажарлағыш дөңгелектің бұзылуына әкеп соқтыра алады.

Қайтарым электр құралды дұрыс емес немесе қате қолданудың салдары болып табылады. Төменде берілген сақтық шараларын орындаған жағдайда мұны болдырмауға болады.

- ▶ **Аспаптың қайтарымын амортизациялау алатын қалыпты қабылдап, электр құралды берік ұстаңыз.** Пайдаланушы тиісті сақтық шараларын қолдану арқылы кері соққы қаупінің алдын алуы мүмкін.





- ▶ **Бұрыштарды, үшкір жиектерді және т.б. өңдеу кезінде өте мұқият болыңыз. Электр құралдардың ыршып кетуін және өңделетін бөлшектерде сыналанын болдырмаңыз.** Айналатын жұмыс аспабы бұрыштарды, үшкір жиектерді өңдеу кезінде немесе ыршып кеткенде сыналаны мүмкін. Бұл аспапты басқаруды жоғалтудың немесе қайтарымның пайда болуының себебі болады.
- ▶ **Тісті ара дискісін пайдаланбаңыз.** Мұндай жұмыс аспаптарын қолдану жиі қайтарымды тудырады немесе электр құралды басқаруды жоғалтуға әкеледі.
- ▶ **Алмалы-салмалы аспапты әрдайым кескіш жиек материалдан шығатын бірдей бағытпен материалға бағыттаңыз (жоңқа шығарылатын бірдей бағытқа сәйкес келеді).** Электр құралын қате бағытпен бағыттау нәтижесінде, дайындамадан алмалы-салмалы аспаптың кескіш жиегі сынып, электр құралы осы жүріс бағытымен тартылады.
- ▶ **Айналмалы егеулерді, кескіш дөңгелектерді, жоғары жылдамдықпен фрезерлеу құралдарын немесе қатты металды фрезерлеу құралдарын пайдаланған кезде дайындаманы мықтап қысып алыңыз.** Ойықтағы қиғаштану алдын ала аз болса, осы алмалы-салмалы аспаптар ілініп, кері соққыны тудыруы мүмкін. Кескіш дөңгелек ілінген жағдайда, ол өдетте сынып қалады. Айналмалы егеулер, жоғары жылдамдықпен фрезерлеу құралдары немесе қатты металды фрезерлеу құралдары ілінген жағдайда, құрал бекіткіші ойықтан шығып кетуі және электр құралын бақылау мүмкіндігінен айырылуға әкелуі мүмкін.

**Ажарлау және абразивті ажарлау кезіндегі қауіпсіздік техникасы бойынша арнайы нұсқаулар:**

- ▶ **Тек электр құралыңыз үшін рұқсат етілген ажарлағыш дискіні және ұсынылатын пайдалану мүмкіндіктері үшін пайдаланыңыз. Мысалы: ажарлауды ажарлағыш дөңгелектің бүйірлік бетімен орындауға тыйым салынады.** Кескіш дөңгелектер материалды дөңгелек жиегімен алуға арналған. Осы ажарлағыш дискіге бүйірінен жасалатын әсер оның бұзылуының себебіне айналуы мүмкін.
- ▶ **Ирек оймасы бар конустық және тік ажарлағыш істіктер үшін тек тиісті өлшемді және ұзындықты, буылтығында ішкі кесігі жоқ, зақымдалмаған өзек темірлерді пайдаланыңыз.** Жарамды өзек темірлер сыну мүмкіндігін төмендетеді.
- ▶ **Кескіш дөңгелектің бұғатталуын немесе тым қатты басу қысымын болдырмаңыз. Тым қатты кесулерді орындамаңыз.** Кескіш дөңгелекке шамадан тыс жүктеме түсуі оның тозуын және қисаю немесе бұғатталу мүмкіндігін, сонымен бірге қайтарымның пайда болу немесе оның бұзылу мүмкіндігін арттырады.
- ▶ **Айналып жатқан кескіш дөңгелектің алдыңғы мен артқы жағына қол сұқпаңыз.** Дайындамадағы кескіш дөңгелекті ары бағытпен қолмен жылжытқанда, электр құралы қайтарым пайда болғанда тура сізге ыршып түсуі мүмкін.
- ▶ **Кескіш дөңгелек сыналанған немесе жұмысты тоқтатқан жағдайда, аспапты өшіріңіз және дөңгелек толық тоқтағанын күтіңіз. Әлі айналып жатқан дискіні кесу жерінен шығарып алуға ешқашан әрекет жасамаңыз – қайтарым болуы мүмкін.** Сыналану себебін анықтаңыз және кетіріңіз.
- ▶ **Әлі өңдеп жатқан бөлшекте болса, аспапты қайтадан қоспаңыз. Жұмысты жалғастыру алдында аспап жұмыс айналу жиілігіне дейін тездегенше күтіңіз.** Әйтпесе диск сыналаны, дайындамадан ыршып кетуі немесе кері соққы пайда болуы мүмкін.
- ▶ **Кескіш дөңгелек сыналанған жағдайда, қауіп дәрежесін азайту үшін үлкен өлшемді тақталарды немесе бөлшектерді тіреңіз.** Үлкен өңделетін бөлшектер өз салмағының әсерінен иілуі мүмкін. Өңделетін бөлшекті екі жағынан кесуді орындау орнының жанында, сондай-ақ, бөлшек жиегінің бойында тіреу керек.
- ▶ **Дайын қабырғаларда немесе басқа көрінбейтін аймақтарда батырып кескен кезде айрықша сақ болыңыз.** Газ және су құбырларын, электр сымдарын немесе басқа заттарды кесу кезінде кескіш дөңгелекті салғанда, қайтарым пайда болуы мүмкін.

**Сым қылшақтармен жұмыс істеу бойынша қосымша қауіпсіздік техникасының нұсқаулары:**

- ▶ **Сым қылшақтар сым бөліктерін кәдімгі қолдану кезінде де жоғалтатынын ескеріңіз. Оларға тым қатты басу қысымын қолданбаңыз.** Ұшып кететін сым бөліктері киімнің жұқа матасы арқылы оңай өтуі және/немесе теріге енуі мүмкін.
- ▶ **Қылшақтарды пайдаланбас бұрын кемінде бір минут жұмыс істетіңіз. Осы уақытта қылшақтың алдында немесе қылшақпен бір сызықта ешбір адам тұрмағанына көз жеткізіңіз.** Іске қосылу уақытында сым бөліктері ұшып шығуы мүмкін.
- ▶ **Айналмалы сым қылшақты өзіңізден ары бағыттаңыз.** Осы қылшақтармен жұмыс істеген кезде, шағын бөлшектер мен өте кішкентай сым бөліктері жоғары жылдамдықпен ұшып шығуы және теріге енуі мүмкін.



## 2.3 Аккумулятормен дұрыс жұмыс істеу және оны дұрыс пайдалану

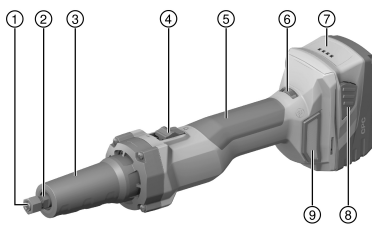
- ▶ Li-Ion аккумуляторын тасымалдау, сақтау және пайдалану бойынша арнайы нұсқаулардың талаптарын орындаңыз.
- ▶ Аккумуляторларды жоғары температуралар, тікелей күн сәулесі мен өрттен алшақ ұстаңыз.
- ▶ Аккумуляторларды бөлшектеуге, қысуға, 80°C-тан жоғары температураға дейін қыздыруға және жағуға тыйым салынады.
- ▶ Соққы тиген, бір метрден жоғары биіктіктен құлаған немесе басқа жолмен зақымдалған аккумуляторларды пайдалануға немесе зарядтауға болмайды. Мұндай жағдайда әрдайым **Hilti сервистік қызметіңізге** хабарласыңыз.
- ▶ Егер тиген кезде аккумулятор тым ыстық болса, ол ақаулы болуы мүмкін. Аспапты тұтану қаупі жоқ орынға, тұтанғыш материалдардан алыс, оны бақылауға болатындай қойыңыз және суытып қойыңыз. Мұндай жағдайда әрдайым **Hilti сервистік қызметіңізге** хабарласыңыз.

## 2.4 Қауіпсіздік техникасы бойынша қосымша ережелер

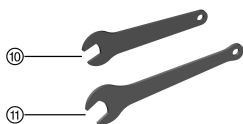
- ▶ Өнімді пайдаланған кезде ажарлау шаңы, ұшқын шашырау және ықтимал сынықтар алмалы-салмалы аспаптан немесе дайындамадан денеңізге тимейтіндей етіп ұстаңыз.
- ▶ Алмалы-салмалы аспаптарды алмастыру үшін тек жарамды және зақымдалмаған кілтті қолданыңыз.
- ▶ Алмалы-салмалы аспаптар ақаусыз домалақ айналуы керек. Домалақ емес алмалы-салмалы аспаптарды қолданбаңыз.
- ▶ Өнім жұмыс істеп тұрғанда, жоңқаны немесе шашырандыны кетірмеңіз. Өнімді өшіріңіз.
- ▶ Аспапты тек жұмыс аймағына әкелгеннен кейін ғана қосыңыз.
- ▶ Құралды алмастырған кезде қорғаныш қолғап киіп жүріңіз, себебі алмалы-салмалы аспап пен құрал бекіткіші қолдану кезінде қызып кетеді.
- ▶ Жұмыс уақытында қолдар терлемейі үшін саусақтарды босату және жаттықтыру үшін үзілістер жасаңыз. Ұзақ уақыт жұмыс істеген кезде, дірілдердің салдарынан саусақ, қол не буындардың қантамыры не жүйкесіне кері әсер тиюі мүмкін.
- ▶ Жұмыс орнындағы ауа алмасуды жақсарту үшін әрекет етіңіз және қажетінше тиісті шаңға арналған респираторды тағыңыз.
- ▶ Алмалы-салмалы аспаптың білігін енгізбес бұрын тазалаңыз. Алмалы-салмалы аспаптың білігі әрдайым қанғалы қысқыш ішінде кемінде 20 мм шамасына қысылғанына көз жеткізіңіз. Құралды енгізгеннен кейін қыспа гайканы әрдайым мықтап тартыңыз. Жеткіліксіз бекітілген алмалы-салмалы аспаптар жұмыс барысында босап кетіп, лақтырып жіберілуі мүмкін.
- ▶ Тек техникалық деректердегі мәліметтерге сәйкес келетін алмалы-салмалы аспаптарды қолданыңыз.

## 3 Сипаттама

### 3.1 Өнімге шолу



- 1 Цангалы қысқышы бар қыспа гайка
- 2 Шпиндель
- 3 Мойын / алдыңғы тұтқа
- 4 Бекітілетін негізгі сөндіргіш
- 5 Тұтқа
- 6 Айналу жиілігін реттеу дискісі
- 7 Аккумулятор
- 8 Аккумуляторды босату түймесі
- 9 Шаң сүзгісі
- 10 Шағын кілт, 12 мм
- 11 Үлкен кілт, 17 мм



### 3.2 Мақсатына сай қолдану

Сипатталған өнім тік ажарлағыш машина болып табылады. Ол металды өңдеуге арналған. Ол ажарлауға және абразивті ажарлауға, сым қылшақтармен жұмыс істеуге, жылтыратуға және фрезерлеуге арналған.

Білік диаметрі орнатылған цангалы қысқышқа сәйкес келетін алмалы-салмалы аспаптарды ғана қолданыңыз. Техникалық деректердегі мәліметтерді ескеріңіз.

Өнім тек сусыз құрғақ әдіспен пайдалануға арналған.

- Бұл өнім үшін тек В 22 қатарындағы **Hilti** Li-Ion аккумуляторларын ғана пайдаланыңыз.
- Бұл аккумуляторлар үшін тек **Hilti** мақұлдаған зарядтағыш құрылғыларды қолданыңыз. Қосымша ақпаратты **Hilti Store** дүкенінен немесе мына веб-сайттан алуға болады: [www.hilti.group](http://www.hilti.group)

### 3.3 Жеткізілім жинағы

Тік ажарлағыш машина, 2 кілт, пайдалану бойынша нұсқаулық

Оған қоса өніміңіз үшін рұқсат етілген жүйелік өнімдерді **Hilti Store** дүкенінде немесе мына веб-сайттан табуға болады: [www.hilti.group](http://www.hilti.group)

### 3.4 Li-Ion аккумуляторының заряд күйінің көрсеткіші

Li-Ion аккумуляторының заряд күйінің көрсеткіші екі аккумуляторды босату түймесін басу арқылы көрсетіледі.

Құралдың бөлшектері	Сипаттамасы
4 жарық диоды жанады.	Зарядтау күйі: 75 % - 100 %
3 жарық диоды жанады.	Зарядтау күйі: 50 % - 75 %
2 жарық диоды жанады.	Зарядтау күйі: 25 % - 50 %
1 жарық диоды жанады.	Зарядтау күйі: 10 % - 25 %
1 жарық диоды жыпылықтайды.	Зарядтау күйі: < 10 %



Жұмыс уақытында және бірден жұмысты аяқтағаннан кейін зарядталу деңгейі туралы сұрау мүмкін емес. Аккумулятордың зарядталу деңгейі жарық диодтары жыпылықтаған жағдайда «Ақаулықтардағы көмек» бөліміндегі нұсқауларға назар аударыңыз.

## 4 Техникалық сипаттамалар

<b>EPTA Procedure 01 бойынша салмағы, аккумуляторын қоса B228.0</b>		2,6 кг
<b>Номиналды айналу жиілігі</b>		10000 А/мин ... 25000 А/мин
<b>Алмалы-салмалы аспаптың қажетті минималды айналу жиілігі</b>		≥ 25000 А/мин
<b>Алмалы-салмалы аспаптың жұмыс диаметрі</b>		≤ 55 мм
<b>Алмалы-салмалы аспап білігінің диаметрі</b>	<b>Цангалы қысқыш 6 мм</b>	6 мм
	<b>Цангалы қысқыш 1/4 дюйм</b>	1/4 дюйм
<b>Шпindelь кілтінің ені</b>		12 мм
<b>Қыспа гайка кілтінің ені</b>		17 мм
<b>Сақтау температурасы</b>		-20 °C ... 70 °C
<b>Жұмыс кезіндегі қоршаған орта температурасы</b>		-17 °C ... 60 °C

### 4.1 EN 62841 стандарты бойынша шуыл туралы ақпарат және діріл мәні

Осы нұсқауларда көрсетілген дыбыс қысымы мен діріл деңгейі стандартты өлшеу әдісімен өлшенген және оны басқа электр құралдарымен салыстыру үшін пайдалануға болады. Сонымен бірге, ол экспозицияны алдын ала бағалау үшін жарайды.

Берілген деректер электр құралының негізгі жұмысын көрсетеді. Алайда, егер электр құралы басқа мақсаттарда, басқа жұмыс аспаптарымен қолданылса немесе оған қанағаттандырмайтын техникалық



қызмет көрсетілсе, деректер өзгеше болуы мүмкін. Осының салдарынан аспаптың бүкіл жұмыс істеу кезеңінде экспозиция айтарлықтай артуы мүмкін.

Экспозицияны дәл анықтау үшін аспап сәндірілген күйде немесе бос жұмыс істейтін уақыт аралықтарын да ескеру керек. Осының салдарынан аспаптың бүкіл жұмыс істеу кезеңінде экспозиция айтарлықтай азаюы мүмкін.

Пайдаланушыны пайда болатын шуылдан және/немесе дірілден қорғау үшін қосымша сақтық шараларын қолданыңыз, мысалы: электр аспабына және жұмыс аспаптарына техникалық қызмет көрсету, қолдардың жылуын сақтау, жұмыс процестерін дұрыс ұйымдастыру.

#### Шуыл туралы ақпарат

Эмиссиялық дыбыс қысымының деңгейі ( $L_{pA}$ )	76 дБ(A)
Дәлсіздік, дыбыс қысымының деңгейі ( $K_{pA}$ )	3 дБ(A)
Дыбыс күшінің деңгейі ( $L_{WA}$ )	87 дБ(A)
Дыбыс күшінің деңгейі бойынша дәлсіздік ( $K_{WA}$ )	3 дБ(A)

#### Діріл туралы ақпарат

Діріл эмиссиясының көрсеткіші ( $a_n$ ), алмалы-салмалы аспап диаметріне байланысты	< 25 мм	0,7 м/с <sup>2</sup>
	25 ... < 50 мм	15,9 м/с <sup>2</sup>
	50 ... 55 мм	22,2 м/с <sup>2</sup>
Дәлсіздік (K)		1,5 м/с <sup>2</sup>

#### 4.2 Аккумулятор

Аккумулятордың жұмыс кернеуі	21,6 В
Жұмыс кезіндегі қоршаған орта температурасы	-17 °C ... 60 °C
Сақтау температурасы	-20 °C ... 40 °C
Зарядтаудың басындағы аккумулятор температурасы	-10 °C ... 45 °C

### 5 Жұмысқа дайындық

#### АБАЙЛАҢЫЗ

**Жарақат алу қаупі абайсыздан қосылу себебінен!**

- ▶ Аккумуляторды орнату алдында оған қатысты өнімнің өшірілгеніне көз жеткізіңіз.
- ▶ Аспап реттеулерін орындау немесе қосалқы бөлшектерді алмастыру алдында аккумуляторды шығарыңыз.

Осы құжаттамадағы және өнімдегі қауіпсіздік және ескерту нұсқауларын орындаңыз.

#### 5.1 Аккумуляторды зарядтау

1. Зарядтау алдында зарядтағыш құрылғының пайдалану бойынша нұсқаулығын оқып шығыңыз.
2. Аккумулятордағы және зарядтағыш құрылғыдағы контактілердің таза ері құрғақ екендігіне көз жеткізіңіз.
3. Аккумуляторды рұқсат етілген зарядтағыш құрылғы ішінде зарядтаңыз.

#### 5.2 Аккумуляторды орнату

#### АБАЙЛАҢЫЗ

**Жарақат алу қаупі қысқа тұйықталудан немесе аккумулятордың құлауынан!**

- ▶ Аккумуляторды орнату алдында аккумулятор контактілерінде және өнімдегі контактілерде бөгде заттардың жоқтығына көз жеткізіңіз.
- ▶ Аккумулятордың әркез дұрыс орнатылғанына көз жеткізіңіз.

1. Аккумуляторды алғаш рет іске қоспас бұрын зарядтаңыз.
2. Аккумуляторды аспап ұстағышына шерту дыбысы шыққанша мұқият салыңыз.
3. Аккумулятордың аспапқа берік бекітілгенін тексеріңіз.



### 5.3 Аккумуляторды шығару

1. Аккумулятордың босату түймелерін басыңыз.
2. Аккумуляторды аспаптан шығарыңыз.

### 5.4 Алмалы-салмалы аспапты ауыстыру

#### НАЗАР АУДАРЫҢЫЗ

**Зақым келтіру қаупі** қыспа гайканы тартқаннан босаған қангалы қысқыштан.

- ▶ Қыспа гайканы алмалы-салмалы аспап енгізіліп тұрғанда еш жағдайда тартпаңыз.

#### АБАЙЛАҢЫЗ

**Жарақат алу және зақым келтіру қаупі** домалақ емес айналып тұрған немесе зақымдалған алмалы-салмалы аспаптан.

- ▶ Зақымдалған жұмыс аспаптарын қолданбаңыз. Жұмысты бастамас бұрын тік ажарлағыш машинаның дірілсіз жұмыс істеп тұрғанын тексеріңіз.

1. Шағын кілтпен қангалы қысқышты ұстап тұрып, үлкен кілтпен қыспа гайканы ашыңыз.
2. Алмалы-салмалы аспапты қангалы қысқыштан шығарыңыз.
3. Алмалы-салмалы аспап білігін қангалы қысқышқа барынша кіргізіңіз.
4. Ашық білік өлшемі  $L_0$  ең көбі 10 мм құрауы тиіс. Алмалы-салмалы аспап білігін қангалы қысқышқа кем дегенде 20 мм шамасына енгізу керек.
5. Шағын кілтпен қангалы қысқышты ұстап тұрып, үлкен кілтпен қыспа гайканы мықтап тартыңыз.
6. Алмалы-салмалы аспаптың берік бекітілгенін тексеріңіз.

## 6 Қызмет көрсету

Осы құжаттамадағы және өнімдегі қауіпсіздік және ескерту нұсқауларын орындаңыз.

### 6.1 Қосу

1. Қосқыш/ажыратқыштың артқы бөлігін басыңыз.
2. Қосқыш/ажыратқышты алға жылжытыңыз.
  - ▶ Қозғалтқыш жұмыс істеп тұр.
3. Қосқыш/ажыратқышты бекітіңіз.

### 6.2 Жұмыс істеу

1. Өнімді қосыңыз. → Бет 121
2. Айналу жиілігін реттеу дискісінің көмегімен алмалы-салмалы аспап пен жоспарланған пайдалану мақсаты үшін жарамды айналу жиілігін реттеп шығыңыз.
3. Әрдайым алмалы-салмалы аспаптың белгіленген жұмыс бетімен жұмыс істеңіз. Мысалы: ажарлауды ажарлағыш дөңгелектің бүйірлік бетімен орындауға тыйым салынады. Кескіш дөңгелектер материалды дөңгелек жиегімен алуға арналған.
4. Өңделетін дайындаманы бекітіңіз. Жұмыс барысында еш жағдайда бір қолыңызда шағын дайындаманы, ал екінші қолыңызда тік ажарлағыш машинаны ұстамаңыз. Тік ажарлағыш машинаны әрдайым екі қолмен, тұққаларынан берік ұстап тұрыңыз.
5. Тік ажарлағыш машинаны дайындамаға жақындатыңыз. Орташа қысыммен жұмыс істеңіз және алмалы-салмалы аспапты материалға итермеңіз.

### 6.3 Өшіру

- ▶ Қосқыш/ажыратқыштың артқы бөлігін басыңыз.
  - ▶ Қосқыш/ажыратқыш өшірулі күйіне орнатылып, қозғалтқыш тоқтатылады.





### ЕСКЕРТУ

**Аккумулятор енгізілген кезде жарақат алу қаупі бар !**

- ▶ Күтім және техникалық қызмет көрсету бойынша кез келген жұмыстарды орындамас бұрын әрдайым аккумуляторды шығарыңыз!

### Аспапқа қызмет көрсету

- Қатты жабысқан кірді мұқият кетіріңіз.
- Желдету ойықтарын құрғақ қылшақпен жайлап тазалаңыз.
- Корпусты тек сәл суланған шүберекпен тазалаңыз. Ешқандай силикон қамтитын күтім құралдарын пайдаланбаңыз, өйткені олар пластмасса бөлшектерін зақымдауы мүмкін.

### Литий-иондық аккумуляторға қызмет көрсету

- Аккумуляторды май мен майлағыштан таза күйінде ұстаңыз.
- Корпусты тек сәл суланған шүберекпен тазалаңыз. Ешқандай силикон қамтитын күтім құралдарын пайдаланбаңыз, өйткені олар пластмасса бөлшектерін зақымдауы мүмкін.
- Ылғалдың кіруін болдырмаңыз.

### Техникалық қызмет көрсету

- Барлық көзге көрінетін бөлшектерде зақымдардың бар-жоғын және басқару элементтерінің ақаусыз жұмысын жиі тексеріп тұрыңыз.
- Өнім зақымдалған және/немесе ақаулы болған жағдайда оны пайдаланушы болмаңыз. Бірден **Hilti** қызмет көрсету орталығына жөндетіңіз.
- Күтім және техникалық қызмет көрсету жұмыстарынан кейін барлық қорғауш құрылғыларды орнатып, жұмысын тексеріңіз.



Қауіпсіз қолдану үшін тек түпнұсқа қосалқы бөлшектер мен жұмсалатын материалдарды қолданыңыз. Біз рұқсат еткен қосалқы бөлшектер, шығын материалдары мен өнімге арналған керек-жарақтар **Hilti Store** дүкенінде немесе келесі веб-сайтта қолжетімді: [www.hilti.group](http://www.hilti.group).

## 7.1 Қыспа гайканы алмастыру



### НАЗАР АУДАРЫҢЫЗ

**Зақым келтіру қаупі** қыспа гайканы тартқаннан босаған қангалы қысқыштан.

- ▶ Қыспа гайканы алмалы-салмалы аспап енгізіліп тұрғанда еш жағдайда тартпаңыз.

1. Шағын кілтпен шпindelьді ұстап тұрып, үлкен кілтпен қыспа гайканы ашыңыз.
2. Қажет болса, алмалы-салмалы аспапты қангалы қысқыштан шығарыңыз.
3. Қангалы қысқышы бар қыспа гайканы толықтай тік ажарлағыш машинадан бұрап шығарыңыз.
4. Қангалы қысқышы бар жаңа қыспа гайканы шпindelьге орнатып, қыспа гайканы шпindelьге бос күйде бұрап бекітіңіз. Қыспа гайканы қатты тартпаңыз.

## 8 Аккумуляторлық аспаптарды тасымалдау және сақтау

### Тасымалдау



### АБАЙЛАҢЫЗ

**Тасымалдау кезіндегі кенет іске қосылу !**

- ▶ Өніміңізді әрдайым аккумуляторын шығарып алып тасымалдаңыз!
- ▶ Аккумуляторларды шығарыңыз.
- ▶ Аккумуляторларды ешқашан үймеде тасымалдамаңыз.
- ▶ Аспапты, алмалы-салмалы аспапты немесе аккумуляторларды ұзақ уақыт тасымалдаған соң оларды пайдалану алдында зақымдарының бар-жоғын тексеріңіз.

### Сақтау



### АБАЙЛАҢЫЗ

**Бүлінген немесе заряды таусылған аккумуляторлардан күтілмеген зақымдалу !**

- ▶ Өніміңізді әрдайым аккумуляторын шығарып алып сақтаңыз!



- ▶ Аспап, алмалы-салмалы аспаптар мен аккумуляторларды мүмкіндігінше салқын және құрғақ күйінде сақтаңыз.
- ▶ Аккумуляторларды ешқашан күн, жылу көздерінің астында немесе әйнек артында сақтамаңыз.
- ▶ Аспап, алмалы-салмалы аспаптар мен аккумуляторларды балалар мен рұқсаты жоқ адамдардың қолы жетпейтін жерде сақтаңыз.
- ▶ Аспапты, алмалы-салмалы аспаптарды немесе аккумуляторларды ұзақ уақыт сақтаған соң оларды пайдалану алдында зақымдарының бар-жоғын тексеріңіз.

## 9 Ақаулықтардағы көмек

Бұл кестеде келтірілмеген немесе өзіңіз түзете алмайтын ақаулықтар орын алғанда, **Hilti** қызмет көрсету орталығына хабарласыңыз.

Ақаулық	Ықтимал себеп	Шешім
Аккумулятор заряды әдеттегіден жылдам бітеді.	Қоршаған орта температурасы тым төмен.	▶ Аккумуляторды ұзақ уақытта бөлме температурасында жылытыңыз.
Аккумулятор естілетін шырт ету дыбысымен бекітілмейді.	Аккумулятордағы құлып шоқылары кірленген.	▶ Тіреуіш шығыңқы жерлерін тазалаңыз және аккумуляторды қайтадан салыңыз.
1 жарық диоды жыпылықтайды. Аспап жұмыс істемейді.	Аккумулятор заряды бос.	▶ Аккумуляторды алмастырып, бос аккумуляторды зарядтаңыз.
	Аккумулятор суып немесе қызып кетті.	▶ Аккумуляторды ұзақ уақытта бөлме температурасында жылытыңыз.
Барлық 4 жарық диоды жыпылықтайды. Аспап жұмыс істемейді.	Аспапқа шамадан тыс жүктеме түсті.	▶ Аспапты өшіріп қайта қосыңыз. Содан кейін аспапты шам. 30 секунд ішінде бос жүріс жылдамдығымен жұмыс істетіңіз.
Аспапта немесе аккумуляторда қатты қызу пайда болды.	Электр бөлігі бойынша ақаулық	▶ Аспапты бірден өшіріңіз, аккумуляторды шығарыңыз, оны қадағалап, салқындауына мүмкіндік беріңіз және <b>Hilti</b> сервис орталығына хабарласыңыз.
Аспап толық қуатпен жұмыс істемейді.	Сыйымдылығы аз аккумулятор орнатылған.	▶ Сыйымдылығы жеткілікті аккумуляторды қолданыңыз.
Қозғалтқыштың тежеу функциясы жоқ.	Аккумулятор заряды бос.	▶ Аккумуляторды алмастырып, бос аккумуляторды зарядтаңыз.
	Аспапқа қысқа мерзімді шамадан тыс жүктеме түсті.	▶ Аспапты өшіріп қайта қосыңыз.
Аспап қатты дірілдейді.	Алмалы-салмалы аспап құрылғымен үйлеспейді.	▶ Тек техникалық деректердегі мәліметтерге сәйкес келетін алмалы-салмалы аспаптарды қолданыңыз.
	Алмалы-салмалы аспап зақымдалған, домалақ емес немесе теңгерілмеген.	▶ Ақаусыз алмалы-салмалы аспаптарды қолданыңыз.
	Аспап ақаулы	▶ Алмалы-салмалы аспапты себеп ретінде есептен шығару мүмкін болса, <b>Hilti</b> қызмет көрсету орталығына хабарласыңыз.



## 10 Көдеге жарату

**Hilti** аспаптары қайта өңдеу үшін жарамды көптеген материалдардың санын қамтиды. Көдеге жарату алдында материалдарды мұқият сұрыптау керек. Көптеген елдерде **Hilti** компаниясы ескі аспабыңызды қайта өңдеу үшін қайта қабылдайды. **Hilti** қызмет көрсету орталығынан немесе дилеріңізден сұраңыз.

### Аккумуляторды көдеге жарату

Аккумуляторларды нұсқаулардан тыс көдеге жарату нәтижесінде газ не сұйықтықтың шығуы денсаулыққа қауіп төндіруі мүмкін.

- ▶ Зақымдалған аккумуляторларды жіберуге немесе жөнелтуге болмайды!
- ▶ Қысқа тұйықталуға жол бермеу үшін, қосылымдарды ток өткізбейтін материалмен жауып қойыңыз.
- ▶ Аккумуляторларды балалардың қолына жетпейтіндей етіп көдеге жаратыңыз.
- ▶ Аккумуляторды **Hilti Store** дүкенінде көдеге жаратыңыз немесе жергілікті көдеге жарату кәсіпорнына хабарласыңыз.



- ▶ Электр құралдарды, электрондық құрылғылар мен аккумуляторларды тұрмыстық қоқыспен бірге тастамаңыз!

## 11 RoHS (зиянды заттектердің пайдаланылуын шектеу директивасы)

Төмендегі сілтеме бойынша зиянды заттектердің кестесі келтірілген: [qr.hilti.com/r11229136](http://qr.hilti.com/r11229136).

RoHS кестесінің сілтемесі осы құжаттаманың соңында QR коды ретінде берілген.

## 12 Өндіруші кепілдігі

- ▶ Кепілдік шарттары туралы сұрақтарыңыз болса, жергілікті **Hilti** серіктесіне хабарласыңыз.

## Оrijinal kullanım kılavuzu

### 1 Dokümantasyon verileri

#### 1.1 Bu doküman için

- Çalıřtırmadan önce bu dokümanı okuyunuz. Bu, güvenli çalıřma ve arızasız kullanım için ön kořuldur.
- Bu dokümanda ve ürün üzerinde bulunan güvenlik ve uyarı bilgilerine dikkat ediniz.
- Kullanım kılavuzunu her zaman ürün üzerinde bulundurunuz ve ürünü sadece bu kılavuz ile birlikte başka kişilere veriniz.

#### 1.2 Resim açıklaması

##### 1.2.1 Uyarı bilgileri

Uyarı bilgileri, ürün ile çalıřırken ortaya çıkabilecek tehlikelere karşı uyarır. Ařağıdaki uyarı metinleri kullanılır:

#### TEHLİKE

##### TEHLİKE !

- ▶ Ağır vücut yaralanmalarına veya doğrudan ölüme sebep olabilecek tehlikeler için.

#### İKAZ

##### İKAZ !

- ▶ Ağır yaralanmalara veya ölüme neden olabilecek tehlikeler için.

#### DİKKAT

##### DİKKAT !

- ▶ Hafif vücut yaralanmalarına veya maddi hasarlara yol açabilecek olası tehlikeli durumlar için.





### 1.2.2 Dokümandaki semboller

Bu dokümanda aşağıdaki semboller kullanılmıştır:

	Kullanmadan önce kullanım kılavuzunu okuyunuz
	Kullanım uyarıları ve diğer gerekli bilgiler
	Geri dönüşümlü malzemeler ile çalışma
	Elektrikli aletleri ve aküleri evdeki çöplere atmayınız

### 1.2.3 Resimlerdeki semboller

Resimlerde aşağıdaki semboller kullanılmıştır:

	Bu sayılar, kılavuzun başlangıcındaki ilgili resimlere atanmıştır
	Numaralandırma, resimdeki çalışma adımlarının sırasını göstermektedir ve metindeki çalışma adımlarından farklı olabilir
	Pozisyon numaraları <b>Genel bakış</b> resminde kullanılır ve <b>Ürüne genel bakış</b> bölümündeki açıklama numaralarına referans niteliğindedir
	Bu işaret, ürün ile çalışırken dikkatinizi çekmek için koyulmuştur.

## 1.3 Ürüne bağlı semboller

### 1.3.1 Üründeki semboller

Üründe aşağıdaki semboller kullanılabilir:

	Alet, iOS ve Android platformları ile uyumlu NFC teknolojisini destekler.
	Kullanılan <b>Hilti</b> Lityum İyon akü tip serisi. <b>Usulüne uygun kullanım</b> bölümündeki bilgileri dikkate alınız.
Li-Ion	Lityum İyon akü
	Aküyü asla darbe aleti olarak kullanmayınız.
	Aküyü düşürmeyiniz. Darbe almış veya hasar görmüş bir aküyü kullanmayınız.
---	Doğru akım
	Koruyucu gözlük kullanılmalıdır!
n	Ölçme devir sayısı
/min	Dakika başına devir
RPM	Dakika başına devir
∅	Çap

## 1.4 Ürün bilgileri

ürünleri profesyonel kullanıcıların kullanımı için öngörülmüştür ve sadece yetkili personel tarafından kullanılabilir ve bakımı yapılabilir. Bu personel, meydana gelebilecek tehlikeler hakkında özel olarak eğitim görmüş olmalıdır. Aletin ve ilgili yardımcı gereçlerin eğitimsiz personel tarafından usulüne uygun olmayan şekilde kullanılması ve amaçları dışında çalıştırılması sonucu tehlikeli durumlar söz konusu olabilir. Tip tanımı ve seri numarası, tip plakası üzerinde belirtilmiştir.



2277410

Türkçe

125

- Seri numarasını aşağıdaki tabloya aktarınız. Ürün bilgileri acente veya servis merkezini aradığınızda sorulabilir.

#### Ürün bilgileri

Akülü düz taşlama makinesi	GDG 6-A22
Nesil	01
Seri no.	

### 1.5 Uygunluk beyanı

Burada tanımlanan ürünün, geçerli yönetmeliklere ve normlara uygun olduğunu kendi sorumluluğumuzda beyan ederiz. Bu dokümantasyonun sonunda uygunluk beyanının bir kopyasını bulabilirsiniz.

Teknik dokümantasyonlar eklidir:

Hilti Entwicklungsgesellschaft mbH | Zulassung Geräte | Hiltistraße 6 | 86916 Kaufering, DE

## 2 Güvenlik

### 2.1 Elektrikli el aletleri için genel güvenlik uyarıları

**⚠ İKAZ** Bu elektrikli el aletine yönelik tüm güvenlik uyarılarını, talimatları, resimli açıklamaları ve teknik verileri dikkatlice okuyunuz. Aşağıdaki talimatlara uyulmaması durumunda elektrik çarpması, yangın ve/veya ağır yaralanmalar söz konusu olabilir.

**Tüm güvenlik uyarılarını ve kullanım talimatlarını muhafaza ediniz.**

Güvenlik uyarılarında kullanılan "Elektrikli el aleti terimi, şebeke işletimli elektrikli el aletleri (şebeke kablosu ile) veya akü işletimli elektrikli el aletleri (şebeke kablosu olmadan) ile ilgilidir.

#### İş yeri güvenliği

- **Çalışma alanınızı temiz ve aydınlık tutunuz.** Düzensiz veya aydınlatma olmayan çalışma alanları kazalara yol açabilir.
- **Yanıcı sıvıların, gazların veya tozların bulunduğu patlama tehlikesi olan yerlerde elektrikli el aleti ile çalışmayınız.** Elektrikli el aletleri, toz veya buharı yakabilecek kıvılcım oluşturur.
- **Elektrikli el aletini kullanırken çocukları ve diğer kişileri uzak tutunuz.** Dikkatiniz dağılırsa aletin kontrolünü kaybedebilirsiniz.

#### Elektrik güvenliği

- **Elektrikli el aletinin bağlantı fişi prize uygun olmalıdır. Fiş hiçbir şekilde değiştirilmemelidir. Adaptör fişini topraklama korumalı elektrikli el aletleri ile birlikte kullanmayınız.** Değiştirilmemiş fişler ve uygun prizler elektrik çarpması riskini azaltır.
- **Borular, radyatörler, fırınlar ve buzdolapları gibi toprağa temas eden üst yüzeylere vücudunuzla temas etmekten kaçınınız.** Vücudunuzun toprakla teması var ise yüksek bir elektrik çarpması riski söz konusudur.
- **Elektrikli el aletini yağmurdan veya ıslaklıktan uzak tutunuz.** Elektrikli el aletine su girmesi, elektrik çarpması riskini artırır.
- **Elektrikli el aletini taşımak, asmak veya fişi prizden çekmek için bağlantı kablosunu kullanım amacı dışında kullanmayınız. Bağlantı kablosunu sıcağın, yağdan, keskin kenarlardan ve hareketli parçalardan uzak tutunuz.** Hasarlı veya dolanmış bağlantı kabloları elektrik çarpması riskini artırır.
- **Elektrikli bir el aleti ile açık alanda çalışacaksanız, sadece dışarıda kullanımına izin verilen uzatma kabloları kullanınız.** Dış mekanlar için uygun olan uzatma kablolarının kullanılması elektrik çarpması riskini azaltır.
- **Elektrikli el aleti işletiminin nemli ortamda yapılması kaçınılmaz ise bir kaçak akım koruma şalteri kullanınız.** Bir kaçak akım koruma şalterinin kullanımı elektrik çarpması riskini azaltır.

#### Kişilerin güvenliği

- **Dikkatli olunuz, ne yaptığınıza dikkat ediniz ve elektrikli el aleti ile mantıklı bir şekilde çalışınız.** Yorgunsanız veya uyuşturucu, alkol veya ilaç etkisi altında olduğunuzda elektrikli el aleti kullanmayınız. Elektrikli el aletini kullanırken bir anlık dikkatsizlik ciddi yaralanmalara neden olabilir.
- **Kişisel koruyucu donanım ve her zaman bir koruyucu gözlük takınız.** Elektrikli el aletinin türüne ve kullanımına göre toz maskesi, kaymayan güvenlik ayakkabısı, koruyucu kask veya kulaklık gibi kişisel koruyucu donanımların kullanılmasını yaralanma riskini azaltır.
- **İstem dışı çalışmayı önleyiniz. Güç kaynağına ve/veya aküyü bağlamadan, girişini yapmadan veya taşımadan önce elektrikli el aletinin kapalı olduğundan emin olunuz.** Elektrikli el aletini taşıırken parmağınız şalterde ise veya alet açık konumda güç kaynağına takılırsa bu durum kazalara yol açabilir.



- ▶ **Elektrikli el aletini devreye almadan önce ayar aletlerini veya vidalama anahtarlarını çıkartınız.** Dönen bir alet parçasında bulunan bir alet veya anahtar yaralanmalara yol açabilir.
- ▶ **Aşırı bir vücut hareketinden sakınınız. Güvenli bir duruş sağlayınız ve her zaman dengeli tutunuz.** Böylece beklenmedik durumlarda elektrikli el aletini daha iyi kontrol edebilirsiniz.
- ▶ **Uygun kıyafetler giyiniz. Bol kıyafetler giymeyiniz veya takı takmayınız. Saçları, kıyafetleri ve eldivenleri hareket eden parçalardan uzak tutunuz.** Bol kıyafetler, takı veya uzun saçlar hareket eden parçalara takılabilir.
- ▶ **Toz emme ve tutma tertibatları monte edilebiliyorsa bunların bağlı olduğundan ve doğru kullanıldığından emin olunuz.** Bu toz emme tertibatının kullanımı tozdan kaynaklanabilecek tehlikeleri azaltabilir.
- ▶ **Kendi güvenliğinizi riske atmayınız ve elektrikli el aletleri kullanımında son derece tecrübeli olsanız bile ilgili güvenlik kurallarını ihlal etmeyiniz.** Dikkatsiz kullanım saniyeler içerisinde ciddi yaralanmalara neden olabilir.

#### **Elektrikli el aletinin kullanımı ve çalıştırılması**

- ▶ **Aleti çok fazla zorlamayın. Çalışmanız için uygun olan elektrikli el aletini kullanın.** Uygun elektrikli el aleti ile bildirilen hizmet alanında daha iyi ve güvenli çalışırsınız.
- ▶ **Şalteri bozuk olan elektrikli el aletini kullanmayınız.** Açılıp kapatılmayan bir elektrikli el aleti tehlikelidir ve tamir edilmesi gerekir.
- ▶ **Alet ayarlarını yapmadan, aksesuar parçalarını değiştirmeden veya aleti bir yere koymadan önce fişi prizden ve/veya (çıkarılabilir) aküyü aletten çıkarınız.** Bu önlem, elektrikli el aletinin istem dışı çalışmasını engeller.
- ▶ **Kullanılmayan elektrikli el aletlerini çocukların erişemeyeceği yerde muhafaza edin. Aleti iyi tanımayan veya bu talimatları okumamış kişilere aleti kullanırmayınız.** Elektrikli el aletleri bilgisiz kişiler tarafından kullanılırsa tehlikelidir.
- ▶ **Elektrikli el aletlerinin ve aksesuarlarının bakımını titizlikle yapınız. Hareketli parçaların kusursuz çalıştığı ve sıkışmadığı, parçaların kırılıp kırılmadığı veya hasar görüp görmediği, elektrikli el aleti fonksiyonlarının kısıtlanma durumlarını kontrol ediniz. Hasarlı parçaları aleti kullanmadan önce tamir ettiriniz.** Birçok kazanın nedeni bakımı kötü yapılan elektrikli el aletleridir.
- ▶ **Kesme aletlerini keskin ve temiz tutun.** Özenle bakımı yapılmış keskin bıçak kenarı olan kesme aletleri daha az sıkışır ve kullanımı daha rahattır.
- ▶ **Elektrikli el aletini, aksesuarları, ek aletleri vb. bu talimatlara göre kullanın. Çalışma şartlarını ve yapılacak işi de ayrıca göz önünde bulundurun.** Elektrikli el aletlerinin öngörülen kullanımı dışında kullanılması tehlikeli durumlara yol açabilir.
- ▶ **Tutamağı ve tutamak yüzeylerini daima temiz ve yağ ve gresten arındırılmış durumda tutunuz.** Kaygan tutamaklar ve tutamak yüzeyleri güvenli bir kullanımı ve öngörülemeden durumlarda elektrikli el aletinin kontrolünü engeller.

#### **Akülü el aletinin kullanımı ve çalıştırılması**

- ▶ **Akülerini sadece üretici tarafından tavsiye edilen şarj cihazları ile şarj ediniz.** Belirli bir akü için uygun olan bir şarj cihazı, başka akülerle kullanılırsa yanma tehlikesi vardır.
- ▶ **Elektrikli el aletlerinde sadece bunun için öngörülen aküler kullanılmalıdır.** Başka akülerin kullanılması yaralanmalara ve yanma tehlikelerine yol açabilir.
- ▶ **Kullanılmayan akülerini, kontakların köprülmesine sebep olabilecek ataçlar, madeni paralar, anahtarlar, çiviler, vidalar veya diğer küçük metal cisimlerden uzak tutunuz.** Akü kontakları arasındaki kısa devre yanmalara veya alev oluşumuna sebep olabilir.
- ▶ **Yanlış kullanımda akiden sıvı çıkabilir. Bunlar ile teması ölmeyiniz. Yanlışlıkla temasta su ile durulayınız. Sıvı gözlere temas ederse ayrıca doktor yardımı isteyiniz.** Dışarı akan akü sıvısı cilt tahrişine ve yanmalarına yol açabilir.
- ▶ **Hasarlı veya değiştirilmiş akülerini kullanmayınız.** Hasarlı veya değiştirilmiş aküler öngörülemeden şekilde yangın, patlama veya yaralanma tehlikesi içeren tutumlara neden olabilir.
- ▶ **Akülerini açık ateş yakınına koymayınız veya yüksek sıcaklıklara maruz bırakmayınız.** Açık ateş veya 130°C'nin (265°F) üzerinde sıcaklıklar patlama tehlikesine neden olabilir.
- ▶ **Tüm şarj talimatlarına uyunuz ve aküyü veya akülü el aleti kullanım kılavuzunda öngörülen sıcaklık aralığının dışında şarj etmeyiniz.** Hatalı şarj veya öngörülen sıcaklık aralığının dışındaki şarj işlemleri akünün zarar görmesine ve yangın tehlikesine neden olabilir.

#### **Servis**

- ▶ **Elektrikli el aletinizi sadece kalifiye uzman personele ve sadece orijinal yedek parçalar ile tamir ettiriniz.** Böylece aletin güvenliğinin korunduğundan emin olunur.
- ▶ **Hasarlı akülere bakım yapmayınız.** Akülere yönelik tüm bakım çalışmaları sadece üretici veya yetkili müşteri hizmetleri tarafından yapılmalıdır.



## 2.2 Taşlama, zımpara kağıdı taşlaması, tel fırçalarla çalışma, polisaj, frezeleme ve kesici taşlama için ortak güvenlik uyarıları:

- ▶ **Bu elektrikli el aleti taşlama makinesi, zımpara kağıtlı zımpara, tel fırça, polisaj makinesi ve kesici taşlama makinesi olarak kullanılmalıdır. Aletle birlikte verilen tüm güvenlik uyarılarına, talimatlara, görsellere ve verilere dikkat ediniz.** Aşağıdaki talimatlar dikkate alınmazsa elektrik çarpması, yangın ve/veya ağır yaralanmalar meydana gelebilir.
- ▶ **Üretici tarafından bu elektrikli el aleti için özel olarak öngörülmemeyen veya önerilmeyen aksesuarlar kullanmayınız.** Sadece aksesuarı elektrikli el aletine sabitleyebilmeniz onun güvenli bir şekilde kullanılabilmesi için gereklidir.
- ▶ **Kullanılan ek aletin izin verilen devir sayısı, elektrikli el aletinin üzerindeki devir sayısı kadar yüksek olmalıdır.** Uygun olandan daha hızlı dönen aksesuar kırılabilir ve etrafa fırlayabilir.
- ▶ **Dış çap ve kullanılan ek aletin kalınlığı, elektrikli el aletinin ölçü verilerine uymalıdır.** Yanlış ölçülen ek aletleri yeterince korunamaz veya kontrol edilemez.
- ▶ **Taşlama diskleri, taşlama silindiri veya diğer aksesuarlar elektrikli el aletinin zımpara miline veya sıkma pensine iyi oturmalıdır.** Elektrikli el aletinin bağlantı yerine uymayan ek aletler eşit olmayan şekilde döner, çok fazla titreşir ve kontrolün kaybedilmesine neden olur.
- ▶ **Bir mandrele monte edilmiş olan diskler, taşlama silindiri, kesme aletleri veya diğer aksesuarlar sıkma pensine veya torna aynasına tam olarak takılmamalıdır.** "Çıkıntı" veya mandrenin taşlama gövdesiyle sıkma pensi veya torna aynası arasındaki açıkta kalan parçası minimum olmalıdır. Mandrenin yeteri kadar sıkılmaması veya taşlama gövdesinin çok önde olması nedeniyle ek alet gevşeyebilir ve yüksek bir hızla fırlatılabilir.
- ▶ **Hasarlı ek aletleri kullanmayınız.** Taşlama diskleri gibi ek aletlerin her kullanımından önce çatlak ve yırtık, aşınma veya aşırı kullanım, gevşek veya kırılmış taşlama silindirleri veya kırık tel durumu kontrol edilmelidir. Elektrikli el aleti veya ek alet yere düştüyse, hasar bakımından kontrol edilmeli veya hasar görmemiş bir ek alet kullanılmalıdır. Ek aleti kontrol edip yerleştirdiğinizde siz ve çevredeki kişiler dönen ek aletin yakınından uzaklaşmalı ve alet bir dakika boyunca en yüksek devir sayısı ile çalıştırılmalıdır. Hasarlı ek aletler çoğunlukla bu test süresinde parçalanır.
- ▶ **Kişisel koruyucu donanım giyiniz.** Uygulamaya göre tam yüz koruması, göz koruması veya koruyucu gözlük kullanınız. Gerekli olduğu takdirde küçük zımpara veya malzeme parçacıklarını uzak tutan toz maskesi, kulaklık, koruyucu eldiven veya özel önlük giyiniz. Gözler değişik uygulamalarda oluşan havada uçan yabancı parçacıklar tarafından korunmalıdır. Toz veya solunum maskesi uygulama sırasında ortaya çıkan tozu filtrelemelidir. Uzun süre yüksek seste bulunduyunuz duyma kaybı meydana gelebilir.
- ▶ **Diğer kişilerin çalışma alanınıza yaklaşmamasına dikkat ediniz.** Çalışma alanına giren herkes kişisel koruyucu donanım giymelidir. İş parçasının kırılmış parçaları veya kırılmış ek aletler uçabilir ve doğrudan çalışma alanının dışında da yaralanmalara sebep olabilir.
- ▶ **Ek aletin gizli elektrik kablolarına temas edebileceği yerlerde çalışıyorsanız elektrikli el aleti sadece izole edilmiş tutamak yüzeyinden tutunuz.** Elektrik ileten bir hat ile temasta metal parçalar da gerilim altında kalır ve elektrik çarpmasına neden olabilir.
- ▶ **Başlatma sırasında elektrikli el aletini her zaman sıkı tutunuz.** Yüksek devirlerde çalıştırırken motorun reaksiyon torku elektrikli el aletinin dönmesine neden olabilir.
- ▶ **Mümkünse iş parçasını sabitlemek için mengene kullanınız.** Kullanım sırasında asla bir elinizi küçük bir iş parçasını diğer elinizi elektrikli el aletini tutmak için kullanmayınız. Küçük iş parçalarını sabitleyerek her iki elinizi elektrikli el aletini daha iyi kontrol etmek için kullanabilirsiniz. Ahşap dübel, çubuk malzeme veya borular gibi yuvarlak iş parçaları kesilme sırasında yuvarlanarak ek aletin sıkışmasına ve size doğru hareket etmesine neden olabilir.
- ▶ **Elektrikli el aletini, ek alet tamamen durmadan önce asla kapatmayınız.** Dönen ek alet, elektrikli el aletinin kontrolünü kaybedebileceğiniz altlık yüzeyine doğru gidebilir.
- ▶ **Ek aletleri değiştirdikten sonra veya alette gerçekleştirilen ayarlardan sonra sıkma pensini somununu, torna aynası veya diğer sabitleme elemanlarını sıkınız.** Gevşek sabitleme elemanlarının ayarı beklenmedik şekilde değişebilir ve kontrol kaybına neden olabilir; sabitlenmeyen, dönen bileşenler kuvvetli bir şekilde dışarı fırlatılır.
- ▶ **Taşıdığınız sırada elektrikli el aleti çalışır durumda olmamalıdır.** Kıyafetiniz dönen ek alete istem dışı takılabilir ve ek alet vücudunuzu delebilir.
- ▶ **Elektrikli el aletinizin havalandırma deliklerini düzenli bir şekilde temizleyiniz.** Motor fanı muhafazaya toz çeker ve metal tozlarının birikmesinden dolayı elektrik kazalarına neden olabilir.
- ▶ **Elektrikli el aletini yanıcı maddelerin yakınında kullanmayınız.** Kıvılcıklar bu maddeleri tutuşturabilir.
- ▶ **Sıvı soğutma maddesi gerektiren ek aletleri kullanmayınız.** Su veya diğer sıvı soğutma maddelerinin kullanılması elektrik çarpmasına neden olabilir.



## Geri tepme ve ilgili güvenlik uyarıları

Geri tepme; taşlama diski, taşlama tablası, tel fırça vb. dönen bir ek aletin sıkışması veya bloke olması nedeniyle ani bir tepki vermesidir. Sıkışma veya bloke olma nedeniyle dönen ek alet aniden durur. Bu nedenle kontrol edilemeyen elektrikli el aleti, blokaj noktasında ek aletin dönüş yönünün tersine imlemelir.

Örneğin bir taşlama diski iş parçasında sıkışır veya bloke olursa, iş parçasına giren zımpara diskinin kenarı sıkışabilir ve bu nedenle taşlama diski kırılabilir veya geri tepmeye neden olabilir. Taşlama diski, blokaj noktasında diskin dönüş yönüne bağlı olarak kullanılan kişinin üzerine doğru veya kullanılan kişiden uzağa doğru hareket eder. Bu durumda taşlama diskleri de kırılabilir.

Elektrikli el aletinin yanlış veya hatalı kullanılması sonucunda geri tepme meydana gelir. Aşağıda tanımlanan özel önlemler alınarak geri tepme engellenebilir.

- ▶ **Elektrikli el aletini sıkıca tutunuz ve vücudunuzu ve kollarınızı geri tepmelere karşı koyabileceğiniz şekle getiriniz.** Kullanan kişi özel önlemlerle geri tepmeleri kontrol edebilir.
- ▶ **Özellikle köşelerde ve keskin kenarlı yerlerde daha dikkatli bir şekilde çalışınız. Ek aletlerin iş parçasından geri tepmesini ve iş parçasına sıkışmasını engelleyiniz.** Dönen ek alet köşelerde, keskin kenarlarda veya çarpıtığında sıkışmaya meyillidir. Bu bir kontrol kaybına veya geri tepmeye neden olur.
- ▶ **Tırtıklı testere bıçağı kullanmayınız.** Bu tür ek aletler, çoğunlukla bir geri tepmeye veya elektrikli el aleti üzerindeki kontrolün kaybedilmesine neden olur.
- ▶ **Ek aleti her zaman kesici kenarının malzemenin çıktığı yöne yönlendiriniz (talaşların çıkarıldığı yönü ifade eder).** Elektrikli el aletinin yanlış yöne yönlendirilmesi elektrikli el aletinin bu besleme yönüne çekilmesiyle ek aletin kesici kenarının iş parçasında kırılmasına neden olur.
- ▶ **İş parçasını döner eğeler, kesme diskleri, yüksek hızlı freze takımları veya karbür freze takımları kullanılırken her zaman sabitleyiniz.** Bu ek aletler az sayıda kenara sahip olukta takılır ve geri tepmeye neden olabilir. Bunlar bir kesme diski takıldığında genellikle kırılır. Döner eğelerin, yüksek hızlı freze takımlarının veya karbür freze takımlarının takılması halinde ek alet oluktan sıçrayabilir ve elektrikli el aletinin kontrolünün kaybedilmesine neden olabilir.

## Taşlama ve kesici taşlama için özel güvenlik uyarıları:

- ▶ **Yalnızca elektrikli el aletinin iş izin verilen taşlama gövdeleri için ve yalnızca önerilen kullanım seçenekleri için kullanınız. Örnek: Asla kesim için kesme diskinin yan tarafını kullanmayınız.** Kesme diskleri diskin kenarı ile malzemenin kazınması için uygundur. Taşlama çarkına yanlardan uygulanan kuvvetten dolayı kırılma meydana gelebilir.
- ▶ **Dişli konik ve düz zımpara kalemleri için yalnızca doğru boyut ve uzunluktaki, omuzda sırt kesimi olmayan hasarsız mandrenler kullanınız.** Uygun mandrenler kırılma olasılığını azaltır.
- ▶ **Kesme diskinin bloke olmasını ve çok yüksek presleme basıncını önleyiniz. Çok derin kesimler yapmayınız.** Kesme diskinin aşırı kullanımı aletin aşınmasını artırır ve kırılma tehlikesi ve blokaja neden olabilir ve bu nedenle bir geri tepme veya zımparalama gövdesinin kırılması söz konusu olabilir.
- ▶ **Elinizi döner kesme diskinin ön ve arka tarafındaki alanından uzak tutunuz.** Eğer kesme diski iş parçasında elinizden başka bir yöne hareket ettirirseniz, geri tepme sonucu elektrikli el aleti döner disk ile birlikte doğrudan size doğru hareket eder.
- ▶ **Eğer kesme diski sıkışırsa veya çalışmaya ara verirken, aleti kapatınız ve disk durana kadar bekleyiniz. Asla çalışır durumdaki kesme diskini iş parçasından çekmeyiniz, aksi takdirde bir geri tepme meydana gelebilir.** Sıkışmanın sebebini belirleyiniz ve sebebini gidiniz.
- ▶ **Elektrikli el aletini iş parçası üzerine getirilmediği sürece devreye almayınız. Dikkatlice kesime devam edilmeden önce kesme diskinin tam devir sayısına ulaşmasını sağlayınız.** Aksi takdirde diskler takılabilir, iş parçasından çıkabilir ve geriye doğru bir darbeye neden olabilir.
- ▶ **Sıkışan bir kesme diskinin geri tepmesini önlemek için levhaları veya büyük iş parçalarını destekleyiniz.** Büyük iş parçaları kendi ağırlıklarından dolayı bükülebilir. İş parçası; diskin her iki tarafından, kesme bölgesine yakın bir noktadan ve aynı zamanda kenardan desteklenmelidir.
- ▶ **Mevcut duvarlarda veya görülemeyen diğer alanlarda özellikle cep kesimlerinde çok dikkatli olunuz.** Derine dalan kesme diski gaz, su, elektrik hatlarının ve diğer nesnelere kesiminde geriye doğru tepmeye neden olur.

## Tel fırçalarla çalışma için ek güvenlik uyarıları:

- ▶ **Tel fırçanın normal çalışmada da tel parçaları kaybetmesine dikkat edilmelidir. Telleri fazla bastırarak aşırı yüke maruz bırakmayınız.** Uçuşan tel parçaları ince kıyafetlere veya vücuda kolayca saplanabilir.
- ▶ **Fırçaları kullanmadan önce en az bir dakika boyunca çalışma hızında çalıştırınız. Bu sırada hiç kimsenin fırçanın önünde veya yanında bulunmamasına dikkat ediniz.** Alıştırma süresi sırasında gevşek tel parçaları sıçrayabilir.
- ▶ **Dönen tel fırçaları sizi işaret etmeyecek şekilde yönlendiriniz.** Bu fırçalarla çalışmalar sırasında küçük partiküller ve ufak tel parçaları yüksek hızla sıçrayabilir ve cildinize girebilir.



### 2.3 Akülü aletlerin özenli çalıştırılması ve kullanımı

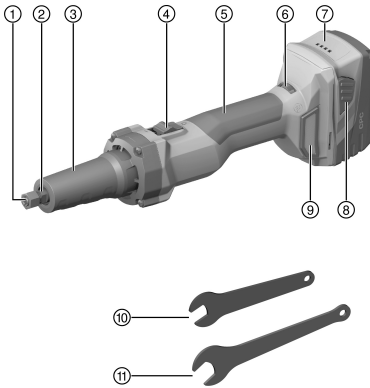
- ▶ Lityum İyon akülerin taşıma, depolama ve kullanımına yönelik özel talimatları dikkate alınız.
- ▶ Aküler, yüksek sıcaklıklarda, doğrudan güneş ışığından ve ateşten uzak tutulmalıdır.
- ▶ Aküler parçalarına ayrılmamalı, ezilmemeli, 80°C üzerine ısıtılmamalı veya yakılmamalıdır.
- ▶ Darbe almış, bir metreden daha yüksek bir yerden düşmüş veya başka bir şekilde hasar görmüş aküleri kullanmayınız veya şarj etmeyiniz. Bu durumda her zaman **Hilti servisi** ile irtibat kurunuz.
- ▶ Akü tutulamayacak kadar sıcaksa arızalı olabilir. Ürünü yanıcı malzemelerden yeterli bir uzaklıkta, gözlemleyebileceğiniz yanmaz bir zemin üzerine koyunuz ve soğuması için bırakınız. Bu durumda her zaman **Hilti servisi** ile irtibat kurunuz.

### 2.4 Ek güvenlik uyarıları

- ▶ Kullanım sırasında ürünü taşıma tozların, kıvılcımların ve ek aletin veya iş parçasının olası kırılan parçalarının vücudunuza isabet etmeyeceği şekilde tutunuz.
- ▶ Ek aleti değiştirmek için yalnızca uygun ve hasarsız anahtar kullanınız.
- ▶ Ek aletler sorunsuz ve yuvarlak hareketlerle çalışmalıdır. Yuvarlak olmayan ek aletleri kullanmayınız.
- ▶ Ürünün çalışması sırasında talaş veya kıymık temizlemeyiniz. Ürünü kapatınız.
- ▶ Aleti çalışma alanında çalıştırmaya başlayınız.
- ▶ Ek alet ve alet bağlantı yeri kullanımda ısındığından dolayı alet değiştirmek için koruyucu eldiven takınız.
- ▶ Parmaklarınızdaki kan dolaşımının iyi olması için çalışma molaları veriniz ve gevşetme ve parmak egzersizleri yapınız. Uzun süreli çalışmalarda titreşimden dolayı parmaklar, eller veya bileklerdeki kan damarlarında veya sinir sisteminde rahatsızlıklar oluşabilir.
- ▶ Çalışma yerinin iyi havalandırmasını sağlayınız ve gerektiği durumlarda ilgili toz için uygun olan bir maske kullanınız.
- ▶ Kullanımdan önce ek aletin şaftını temizleyiniz. Ek aletin şaftının her zaman sıkma pensile arasında en az 20 mm mesafe olacak şekilde sabitlendiğinden emin olunuz. Aleti kullandıktan sonra her zaman germe somununu sıkınız. Yeterince sıkılmayan ek aletler işletim sırasında gevşeyebilir ve dışarı fırlatılabilir.
- ▶ Yalnızca teknik verilerdeki bilgilere uygun ek aletleri kullanınız.

## 3 Tanımlama

### 3.1 Ürüne genel bakış



- ① Sıkma pensli germe somunu
- ② Mil
- ③ Boyun / ön tutamak
- ④ Kilitli kumanda şalteri
- ⑤ Tutamak
- ⑥ Devir sayısı ayarı
- ⑦ Akü
- ⑧ Akü kilit açma tuşu
- ⑨ Toz filtresi
- ⑩ Küçük anahtar, 12mm
- ⑪ Büyük anahtar, 17mm

### 3.2 Usulüne uygun kullanım

Açıklanan ürün bir düz taşlama makinesidir. Metal işleme için tasarlanmıştır. Taşlama ve kesici taşlama, tel fırçalarla çalışma, polisaj ve frezeleme gibi çalışmalar için tasarlanmıştır.

Yalnızca takılı sıkma pensine uygun şaft çapındaki ek aletleri kullanınız. Teknik verilerdeki bilgileri dikkate alınız. Ürün yalnızca susuz, kuru kullanım için uygundur.

- Bu ürün için sadece B 22 tip serisi **Hilti** Lityum İyon aküler kullanılmalıdır.



- Bu aküler için sadece **Hilti** onaylı şarj cihazları kullanınız. Daha fazla bilgiyi **Hilti Store**'da veya şu adreste bulabilirsiniz: [www.hilti.group](http://www.hilti.group)

### 3.3 Teslimat kapsamı


Düz taşlama makinesi, 2 anahtar, kullanım kılavuzu

Ürün için izin verilen diğer sistem ürünlerini **Hilti Store**'da veya şu adreste bulabilirsiniz: [www.hilti.group](http://www.hilti.group)

### 3.4 Lityum İyon akülerin şarj durumu göstergesi

Lityum İyon akülerin şarj durumu, her iki kilit açma tuşuna hafifçe basarak görüntülenebilir.

Durum	Anlamı
4 LED yanıyor.	Şarj durumu: % 75 ile %100 arası
3 LED yanıyor.	Şarj durumu: % 50 ile %75 arası
2 LED yanıyor.	Şarj durumu: % 25 ile %50 arası
1 LED yanıyor.	Şarj durumu: % 10 ile %25 arası
1 LED yanıp sönmüyor.	Şarj durumu: < % 10

 Çalışma esnasında ve çalışmadan sonra doğrudan şarj durumunun kontrol edilmesi mümkün değildir. Akü şarj durumu göstergesinin LED'leri yanıp söndüğünde lütfen Anzalar bölümdeki uyarıları dikkate alınız.

## 4 Teknik veriler

<b>EPTA Procedure 01 uyarınca akümülatör dahil ağırlık B228.0</b>		2,6 kg
<b>Ölçme devir sayısı</b>		10.000 dev/dak ... 25.000 dev/dak
<b>Ek alete yönelik gereken minimum devir sayısı</b>		≥ 25.000 dev/dak
<b>Ek alet çalışma çapı</b>		≤ 55 mm
<b>Ek alet shaft çapı</b>	<b>Sıkma pensi 6 mm</b>	6 mm
	<b>Sıkma pensi 1/4 inç</b>	1/4 in
<b>Mil anahtar boyutu</b>		12 mm
<b>Germe somunu anahtar boyutu</b>		17 mm
<b>Depolama sıcaklığı</b>		-20 °C ... 70 °C
<b>İşletim sırasındaki ortam sıcaklığı</b>		-17 °C ... 60 °C

### 4.1 EN 62841 uyarınca ses bilgisi ve titreşim değerleri

Bu talimatlarda belirtilen ses basıncı ve titreşim değerleri, ilgili normlara uygun bir ölçüm metodu ile ölçülmüştür ve elektrikli el aletlerinin birbirleri ile karşılaştırılması için kullanılabilir. Zorlanmaların geçici olarak değerlendirilmesine de uygundur.

Belirtilen değerler, elektrikli el aletinin ana kullanım alanlarını temsil eder. Elektrikli el aletinin, farklı ek aletlerle veya yetersiz bakım yapılmış şekilde kullanılması durumunda, veriler sapma gösterebilir. Bu durum, toplam çalışma süresi boyunca zorlanmayı belirgin şekilde yükseltebilir.

Doğru bir zorlanma değerlendirmesi için aletin kapatıldığı veya çalışır konumda olduğu ve ayrıca kullanımda olmadığı zamanlar da dikkate alınmalıdır. Bu durum, toplam çalışma süresi boyunca zorlanmayı belirgin şekilde azaltabilir.

Kullanıcıyı ses ve/veya titreşimin etkilerinden koruyacak ek güvenlik önlemleri belirleyiniz, örneğin: Elektrikli el aletinin ve ek aletlerin bakımının yapılması, ellerin sıcak tutulması, iş akışlarının düzenlenmesi.

#### Ses bilgileri

<b>Emisyon ses basıncı seviyesi (<math>L_{pA}</math>)</b>	76 dB(A)
<b>Emniyetsizlik ses basıncı seviyesi (<math>K_{pA}</math>)</b>	3 dB(A)



Ses gücü seviyesi ( $L_{WA}$ )	87 dB(A)
Ses gücü seviyesi için emniyetsizlik ( $K_{WA}$ )	3 dB(A)

**Vibrasyon bilgileri**

Titreşim emisyon değeri ( $a_{h,v}$ ), ek aletin çapına bağlı	< 25 mm	0,7 m/sn <sup>2</sup>
	25 ... < 50 mm	15,9 m/sn <sup>2</sup>
	50 ... 55 mm	22,2 m/sn <sup>2</sup>
Emniyetsizlik (K)		1,5 m/sn <sup>2</sup>

**4.2 Akü**

Akü çalışma gerilimi	21,6 V
İşletim sırasındaki ortam sıcaklığı	-17 °C ... 60 °C
Depolama sıcaklığı	-20 °C ... 40 °C
Şarj başlangıcında akü sıcaklığı	-10 °C ... 45 °C

**5 Çalışma hazırlığı****⚠ DİKKAT****Yaralanma tehlikesi kazara çalışmaya başlama nedeniyle!**

- ▶ Aküyü takmadan önce ilgili ürünün kapalı konumda olduğundan emin olunuz.
- ▶ Cihazın ayarlarını yapmadan veya aksesuarları değiştirmeden önce aküyü çıkartınız.

Bu dokümanda ve ürün üzerinde bulunan güvenlik ve uyarı bilgilerine dikkat ediniz.

**5.1 Akünün şarj edilmesi**

1. Şarj etmeden önce şarj cihazının kullanım kılavuzunu okuyunuz.
2. Akü ve şarj cihazının kontaklarının temiz ve kuru olmasına dikkat ediniz.
3. Aküyü izin verilen şarj cihazında şarj ediniz.

**5.2 Akünün yerleştirilmesi****⚠ DİKKAT****Yaralanma tehlikesi kısa devre veya akünün düşmesi nedeniyle!**

- ▶ Aküyü yerleştirmeden önce, akü kontaklarında ve ürün içindeki kontaklarda yabancı cisim bulunmadığından emin olunuz.
- ▶ Akünün her zaman tam oturduğundan emin olunuz.

1. İlk kullanım öncesinde akü tamamen şarj edilmelidir.
2. Aküyü, duyulur şekilde yerine oturana kadar cihaz tutucusuna bastırınız.
3. Akünün alette emniyetli bir şekilde yerleşip yerleşmediğini kontrol ediniz.

**5.3 Akünün çıkartılması**

1. Akünün serbest bırakma düğmelerine basınız.
2. Aküyü aletten çıkartınız.

**5.4 Ek aletin değiştirilmesi 2****⚠ DİKKAT****Hasar tehlikesi germe somununun sıkılmasından dolayı boş sıkma pensi nedeniyle.**

- ▶ Ek alet takılı olmadığında germe somununu asla sıkmayınız.





## ⚠ DİKKAT

**Yaralanma ve hasar tehlikesi** yuvarlak olmayan hareketlerle çalışan veya hasarlı ek alet nedeniyle.

- ▶ Hasarlı ek aletleri kullanmayınız. Düz taşlama makinesini çalışmaya başlamadan önce titreşimsiz çalışma bakımından kontrol ediniz.

1. Küçük anahtarla sıkma pensini tutunuz ve büyük anahtarla germe somununu açınız.
2. Ek aleti sıkma pensinden çekiniz.
3. Ek aletin şaftını sonuna kadar sıkma pensine takınız.
4. Net şaft ölçüsü  $L_0$  maksimum 10 mm olmalıdır. Ek aletin şaftı sıkma pensine en az 20 mm ölçüsünde takılmalıdır.
5. Küçük anahtarla sıkma pensini tutunuz ve büyük anahtarla germe somununu sıkınız.
6. Ek aletin yerine oturup oturmadığını kontrol ediniz.

## 6 Kullanım

Bu dokümanda ve ürün üzerinde bulunan güvenlik ve uyarı bilgilerine dikkat ediniz.

### 6.1 Açılması

1. Açma / Kapama şalterinin arka bölümüne basınız.
2. Kumanda şalterini öne doğru itiniz.
  - ▶ Motor çalışıyor.
3. Açma / Kapama şalterine basınız.

### 6.2 Çalışma

1. Ürünü açınız. → Sayfa 133
2. Devir sayısı ayarı ile ek alete ve planlanan kullanım amacına uygun bir devir sayısı ayarlayınız.
3. Her zaman yalnızca ek alete ilişkin öngörülen çalışma yüzeyiyle çalışınız. Örnek: Asla kesim için kesme diskinin yan tarafını kullanmayınız. Kesme diskleri diskin kenarı ile malzemenin kazınması için uygundur.
4. İşlenecek iş parçasını sabitleyiniz. Kullanım sırasında asla bir elinizi küçük bir iş parçasını diğer elinizi düz taşlama makinesini tutmak için kullanmayınız. Düz taşlama makinesini her zaman iki elinizle öngörülen tutamaklardan sıkıca tutunuz.
5. Düz taşlama makinesini iş parçasına yönlendiriniz. Orta basınç ile çalışınız ve ek aleti malzemeye bastırmayınız.

### 6.3 Kapatılması

- ▶ Açma / Kapama şalterinin arka bölümüne basınız.
  - ▶ Kumanda şalteri kapalı konumuna geçer ve motor durur.

## 7 Bakım ve onarım

### ⚠ İKAZ

**Takılı aküden dolayı yaralanma tehlikesi !**

- ▶ Tüm bakım ve onarım çalışmalarından önce her zaman aküyü çıkarınız!

### Alet bakımı

- Yapışmış olan kir dikkatlice çıkarılmalıdır.
- Havalandırma deliklerini kuru bir fırça ile dikkatlice temizleyiniz.
- Gövde sadece hafif nemli bir bezle temizlenmelidir. Plastik parçalara yapışabileceğinden silikon içerikli bakım maddeleri kullanılmamalıdır.

### Lityum İyon akülerin bakımı

- Akü temiz ve yağ ve gresten uzak tutulmalıdır.
- Gövde sadece hafif nemli bir bezle temizlenmelidir. Plastik parçalara yapışabileceğinden silikon içerikli bakım maddeleri kullanılmamalıdır.
- Aletin içine nem girişi engellenmelidir.



**Bakım**

- Görünür tüm parçalarda hasar olup olmadığı ve kumanda elemanlarının sorunsuz şekilde çalıştığı kontrol edilmelidir.
- Hasar ve/veya fonksiyon arızaları durumunda ürün çalıştırılmamalıdır. Derhal **Hilti** servisi tarafından onarılmalıdır.
- Bakım ve onarım çalışmalarından sonra tüm koruma tertibatları yerleştirilmeli ve fonksiyonları kontrol edilmelidir.



Güvenli çalışma için sadece orijinal yedek parçalar ve sarf malzemeleri kullanınız. Tarafımızdan onaylanmış, yedek parçaları, aksesuarları ve sarf malzemelerini **Hilti Store** veya adresinde bulabilirsiniz. [www.hilti.group](http://www.hilti.group).

**7.1 Germe somununun değiştirilmesi 4****DİKKAT**

**Hasar tehlikesi** germe somununun sıkılmasından dolayı boş sıkma pensi nedeniyle.

- ▶ Ek alet takılı olmadığına germe somununu asla sıkmayınız.

1. Küçük anahtarla mili tutunuz ve büyük anahtarla germe somununu açınız.
2. Gerekirse ek aleti sıkma pensinden çekiniz.
3. Sıkma pensli germe somununu düz taşılama makinesinden tamamen sökünüz.
4. Yeni sıkma pensli germe somununu mile takınız ve germe somununu gevşek bir şekilde mile vidalayınız. Germe somununu sıkmayınız.

**8 Akü aletlerinin taşınması ve depolanması****Taşıma****DİKKAT**

**Taşıma sırasında aletin istem dışı çalışması !**

- ▶ Ürünlerinizi her zaman aküler takılı olmadan taşıyınız!
- ▶ Akülerin çıkarılması.
- ▶ Aküler kesinlikle sıkıca bağlanmamış koruma ile taşınmamalıdır.
- ▶ Uzun süren depolama sonrası kullanmadan önce aletin, ek aletlerin ve akülerin hasar görmüş olup olmadığını kontrol ediniz.

**Depolama****DİKKAT**

**Arızalı veya akan aküler nedeniyle beklenmeyen hasar oluşumu !**

- ▶ Ürünlerinizi her zaman aküleri yerleştirmeden depolayınız!
- ▶ Aleti, ek aletleri ve aküleri mümkün olduğunca serin ve kuru yerde saklayınız.
- ▶ Aküleri kesinlikle güneşte, sıcakta veya cam levhaların arkasında depolamayınız.
- ▶ Aleti, ek aletleri ve aküleri çocukların ve yetkisiz kişilerin erişemeyeceği yerde saklayınız.
- ▶ Uzun süren depolama sonrası kullanmadan önce aletin, ek aletlerin ve akülerin hasar görmüş olup olmadığını kontrol ediniz.

**9 Arıza durumunda yardım**

Bu tabloda listelenmemiş veya kendi başınıza gideremediğiniz arızalarda lütfen yetkili **Hilti** servisimiz ile irtibat kurunuz.

Arıza	Olası sebepler	Çözüm
Akü normalden daha hızlı boşalıyor.	Çok düşük ortam sıcaklığı.	▶ Aküyü yavaşça oda sıcaklığına ulaşacak biçimde ısınmaya bırakınız.
Akü duyulabilir bir "klik" sesi ile yerine oturmuyor.	Akünün kilit tırnakları kirlenmiş.	▶ Kilit tırnaklarını temizleyiniz ve aküyü yeniden yerine oturtunuz.



Arıza	Olası sebepler	Çözüm
1 LED yanıp sönüyor. Alet çalışmıyor.	Akü deşarj olmuş.	► Aküyü değiştiriniz ve boş aküyü şarj ediniz.
	Akü çok sıcak veya çok soğuk.	► Aküyü yavaşça oda sıcaklığına ulaşacak biçimde ısınmaya veya soğumaya bırakınız.
4 LED'in tümü yanıp söner. Alet çalışmıyor.	Alet aşırı yüklenmiş.	► Aleti kapatınız ve tekrar açınız. Aleti yaklaşık 30 saniye rölati devir hızında çalıştırınız.
Alette veya aküde yoğun ısı oluşumu.	Elektrik arızası	► Aleti hemen kapatınız, aküyü çıkartınız, gözleyiniz, soğumaya bırakınız ve <b>Hilti</b> servisi ile irtibat kurunuz.
Alet, tam güce sahip değil.	Daha düşük kapasiteli bir akü yerleştirildi.	► Yeterli kapasiteye sahip bir akü kullanınız.
Motorda frenleme fonksiyonu yok.	Akü deşarj olmuş.	► Aküyü değiştiriniz ve boş aküyü şarj ediniz.
	Alet kısa süreli olarak aşırı yüklenmiş.	► Aleti kapatınız ve tekrar açınız.
Alet güçlü biçimde titriyor.	Ek alet, alete uygun değildir.	► Yalnızca teknik verilerdeki bilgilere uygun ek aletleri kullanınız.
	Ek alet hasarlı, yuvarlak değil veya dengesiz.	► Yalnızca sorunsuz ek aletleri kullanınız.
	Alet arızalı	► Ek alet dışında bir sebep belirlenebiliyorsa <b>Hilti</b> servisine başvurunuz.

## 10 İmha

**Hilti** aletleri yüksek oranda geri dönüşümlü malzemelerden üretilmiştir. Geri dönüşüm için gerekli koşul, usulüne uygun malzeme ayrımıdır. Çoğu ülkede **Hilti**, eski aletlerini yeniden değerlendirilmek üzere geri alır. Bu konuda **Hilti** müşteri hizmetlerinden veya satış temsilcinizden bilgi alabilirsiniz.

### Akülerin imha edilmesi

Akülerin usulüne uygun imha edilmemesi halinde, dışarı çıkan gaz ve sıvılar nedeniyle sağlık sorunları oluşabilir.

- Hasar görmüş aküleri hiç bir şekilde göndermeyiniz!
- Kısa devreleri önlemek için, akünün bağlantılarını iletken olmayan bir malzeme ile kapatınız.
- Aküleri, çocukların ellerine geçmeyecek şekilde imha ediniz.
- Aküyü size en yakın **Hilti Store**'da imha ediniz veya imha etmek için yetkili şirketinize başvurunuz.



- Elektrikli el aletlerini, elektronik cihazları ve aküleri evdeki çöplere atmayınız!

## 11 RoHS (Tehlikeli madde kullanımını kısıtlama direktifi)

Aşağıdaki linkte tehlikeli maddeler tablosunu bulabilirsiniz: [qr.hilti.com/r11229136](http://qr.hilti.com/r11229136).

RoHS tablosunun linkini bu dokümanın sonunda QR kodu olarak bulabilirsiniz.

## 12 Üretici garantisi

- Garanti koşullarına ilişkin sorularınız için lütfen yerel **Hilti** iş ortağınıza başvurunuz.



## 1 بيانات المستند

## 1.1 حول هذا المستند

- اقرأ هذه المستندات بالكامل قبل التشغيل. يعتبر هذا شرطاً للعمل بشكل آمن والاستخدام بدون اختلالات.
- تراعى إرشادات الأمان والإرشادات التحذيرية الواردة في هذا المستند وعلى الجهاز.
- احتفظ بدليل الاستعمال دائماً مع المنتج، ولا تعطي الجهاز لأخرين إلا مرفقاً بهذا الدليل.

## 2.1 شرح العلامات

## 1.2.1 إرشادات تحذيرية

تنبه الإرشادات التحذيرية إلى الأخطار الناشئة عند التعامل مع الجهاز. يتم استخدام الكلمات الدلالية التالية:



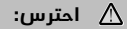
**خطر!**

◀ تشير لخطر مباشر يؤدي لإصابات جسدية خطيرة أو إلى الوفاة.



**تحذير!**

◀ تشير لخطر محتمل قد يؤدي لإصابات جسدية خطيرة أو إلى الوفاة.



**احترس!**

◀ تشير لموقف خطر محتمل يمكن أن يؤدي لإصابات جسدية خفيفة أو أضرار مادية.

## 2.2.1 الرموز في المستند

يتم استخدام الرموز التالية في هذا المستند:



قبل الاستخدام اقرأ دليل الاستعمال



إرشادات الاستخدام ومعلومات أخرى مفيدة



التعامل مع مواد قابلة لإعادة التدوير



لا تتخلص من الأجهزة الكهربائية البطاريات ضمن القمامة المنزلية

## 3.2.1 الرموز في الصور

تستخدم الرموز التالية في الرسوم التوضيحية:



تشير هذه الأعداد إلى الصور المعنية بمطلع هذا الدليل



ترقيم الصور يمثل ترتيب خطوات العمل في الصور، وقد يختلف عن ترقيم خطوات العمل في النص



يتم استخدام أرقام المواضع في صورة العرض العام وهي تشير إلى أرقام تعليق الصورة في فصل عرض عام للمنتج



ينبغي أن تسرع هذه العلامة اهتماماً خاصاً عند التعامل مع المنتج.

## 3.1 الرموز المرتبطة بالمنتج

## 1.3.1 الرموز على المنتج

قد تكون الرموز التالية مستخدمة على المنتج:



يدعم الجهاز تقنية NFC المتوافقة مع أنظمة التشغيل iOS و Android.	
بطاريات أيونات الليثيوم Hilti المستخدمة من النوع. احرص على مراعاة التعليمات الواردة في الفصل الاستخدام المطابق للتعليمات.	
بطارية أيونات الليثيوم	Li-Ion
لا تستخدم البطارية أبدًا كمطرقة.	
لا تدع البطارية تسقط. لا تستخدم بطارية تعرضت لصدمات أو أي نوع آخر من التلفيات.	
تيار مستمر	
قم بارتداء نظارة واقية!	
عدد اللفات الاسمي	n
عدد اللفات في الدقيقة	/min
عدد اللفات في الدقيقة	RPM
القطر	Ø

#### 4.1 معلومات المنتج

منتجات مصممة للمستخدمين المحترفين ويقتصر استعمالها وصيانتها وإصلاحها على الأشخاص المعتمدين والمدربين جيدًا. هؤلاء الأشخاص يجب أن يكونوا قد تلقوا تدريبًا خاصًا على الأخطار الطارئة. قد يتسبب الجهاز وأدواته المساعدة في حدوث أخطار إذا تم التعامل معها بشكل غير سليم فنياً من قبل أشخاص غير مدربين أو تم استخدامها بشكل غير مطابق للتعليمات.

يوجد مسمى الطراز والرقم المسلسل على لوحة الصنع.

انقل الرقم المسلسل في الجدول التالي. ستحتاج إلى بيانات المنتج في حالة الاستفسارات الموجهة إلى ممثلينا أو مركز الخدمة.

#### بيانات المنتج

المجلة المستقيمة العاملة ببطارية	GDG 6-A22
الجيل	01
الرقم المسلسل	

#### 5.1 بيان المطابقة

نفر على مسؤوليتنا الفردية بأن المنتج المشروع هنا متوافق مع التشريعات والمواصفات المعمول بها. تجد صورة لبيان المطابقة في نهاية هذا المستند.

المستندات الفنية محفوظة هنا:

Hilti Entwicklungsgesellschaft mbH | Zulassung Geräte | Hiltistraße 6 | 86916 Kaufering, DE

## 2 السلامة

### 1.2 إرشادات السلامة العامة المتعلقة بالأدوات الكهربائية

⚠ تحذير احرص على قراءة جميع إرشادات السلامة، التوجيهات، الصور التوضيحية والمواصفات الفنية المرفقة مع هذه الأداة الكهربائية. أي تقصير أو إهمال في الالتزام بالتعليمات التالية قد يتسبب في حدوث صق كهربائي، نشوب حريق و/أو وقوع إصابات خطيرة.

احتفظ بجميع مستندات إرشادات السلامة والتعليمات لاستخدامها عند الحاجة إليها فيما بعد.

يقصد بمصطلح «الأداة الكهربائية» المذكور في إرشادات السلامة الأدوات الكهربائية المشغلة بالكهرباء (باستخدام كابل الكهرباء) أو الأدوات الكهربائية المشغلة بالبطاريات (بدون كابل الكهرباء).



## سلامة مكان العمل

- حافظ على نطاق عملك نظيفاً ومضاءً بشكل جيد. الفوضى أو أماكن العمل غير المضاءة يمكن أن تؤدي لوقوع حوادث.
- لا تعمل بالأداة الكهربائية في محيط معرض لخطر الانفجار يتواجد به سوائل أو غازات أو أنواع غبار قابلة للاشتعال. الأدوات الكهربائية تولد شرراً يمكن أن يؤدي لإشعال الغبار والأبخرة.
- احرص على إبعاد الأطفال والأشخاص الآخرين أثناء استخدام الأداة الكهربائية. في حالة انصراف انتباهك قد تفقد السيطرة على الجهاز.

## السلامة الكهربائية

- يجب أن يكون قابس توصيل الأداة الكهربائية متلائماً مع المقبس. لا يجوز تعديل القابس بأي حال من الأحوال. لا تستخدم قوايس مهايأة مع أدوات كهربائية ذات وصلة أرضي محمية. القوايس غير المعدلة والمقابس الملائمة تقلل من خطر حدوث صدمة كهربائية.
- تجنب حدوث تلامس للجسم مع أسطح مؤرضة مثل الأسطح الخاصة بالمواسير وأجهزة التدفئة والمواقد والثلاجات. ينشأ خطر متزايد من حدوث صدمة كهربائية عندما يكون جسمك متصلاً بالأرض.
- ابتعد الأدوات الكهربائية عن الأمطار أو البلى. تسرب الماء إلى داخل الأداة الكهربائية يزيد من خطر حدوث صدمة كهربائية.
- لا تستخدم كابل التوصيل لحمل الأداة الكهربائية أو تعليقها أو لسحب القابس من المقبس. احتفظ بكابل التوصيل بعيداً عن السخونة والزيوت والمواف الحادة والأجزاء المتحركة. كابلات التوصيل التالفة أو المتشابكة تزيد من خطر حدوث صعق كهربائي.
- عندما تعمل بأداة كهربائية في مكان مكشوف، فلا تستخدم سوى كابلات الإطالة المناسبة للعمل في النطاق الخارجي. استخدام كابل إطالة مناسب للعمل في النطاق الخارجي يقلل من خطر حدوث صعق كهربائي.
- إذا تعذر تجنب تشغيل الأداة الكهربائية في محيط رطب، فاستخدم مفتاح حماية من تسرب التيار. استخدام مفتاح الحماية من تسرب التيار يقلل خطر حدوث صدمة كهربائية.

## سلامة الأشخاص

- كن يقظاً وانتبه لما تفعل وتعامل مع الأداة الكهربائية بتعقل عند العمل بها. لا تستخدم الأداة الكهربائية عندما تكون متعباً أو تمت تأثير المخدرات أو الكحوليات أو العقاقير. فقد يتسبب عدم الانتباه للحظة واحدة أثناء الاستخدام في حدوث إصابات بالغة.
- ارتد تجهيزات وقاية شخصية وارتد دائماً نظارة واقية. ارتداء تجهيزات وقاية شخصية، مثل قناع الوقاية من الغبار وأحذية الأمان المضادة للانزلاق وخوذة الوقاية أو واقى السمع، تبعاً لنوع واستخدام الأداة الكهربائية، يقلل من خطر الإصابات.
- تجنب التشغيل بشكل غير مقصود. تأكد أن الأداة الكهربائية مطفاة قبل توصيلها بالكهرباء و/أو بالبطارية وقبل رفعها أو حملها. إذا كان إصبعك على المفتاح عند حمل الأداة الكهربائية أو كان الجهاز في وضع التشغيل عند التوصيل بالكهرباء، فقد يؤدي ذلك لوقوع حوادث.
- ابتعد أدوات الضبط أو مفاتيح ربط البراغي قبل تشغيل الأداة الكهربائية. الأداة أو المفتاح المتواجد في جزء دوار من الجهاز يمكن أن يؤدي لحدوث إصابات.
- تجنب اتخاذ وضع غير طبيعي للجسم. احرص على أن تكون واقفاً بأمان وحافظ على توازنك في جميع الأوقات. من خلال ذلك تستطيع السيطرة على الأداة الكهربائية بشكل أفضل في المواقف المفاجئة.
- ارتد ملابس مناسبة. لا ترتد ملابس فضفاضة أو حلي. احرص على أن يكون الشعر والملابس والقفازات بعيدة عن الأجزاء المتحركة. الملابس الفضفاضة أو الحلي أو الشعر الطويل يمكن أن تشبكت في الأجزاء المتحركة.
- إذا أمكن تركيب تجهيزات شفت وتجميع الغبار، فتأكد أنها موصلة ومستخدمة بشكل سليم. استخدام تجهيزة شفت الغبار يمكن أن يقلل الاضرار الناتجة عن الغبار.
- لا تعتقد بأنك في مأمن عن الخطر ولا تتجاهل تشريعات السلامة المعنية للأدوات الكهربائية، حتى وإن كنت على دراية بالأداة الكهربائية بعد تكرار استخدامها. التعامل مع الجهاز بدون حذر قد يؤدي إلى وقوع إصابات بالغة في جزء من الثانية.

## استخدام الأداة الكهربائية والتعامل معها

- لا تفرط في التحميل على الجهاز. استخدم الأداة الكهربائية المناسبة للعمل الذي تقوم به. استخدام الأداة الكهربائية المناسبة يتيح لك العمل بشكل أفضل وأكثر أماناً في نطاق العمل المقرر.
- لا تستخدم أداة كهربائية ذات مفتاح تالف. الأداة الكهربائية التي لم يعد يمكن تشغيلها أو إطفائها تمثل خطورة ويجب إصلاحها.



- اسحب القابس من المقبس و/أو اخلع البطارية القابلة للخلع من الجهاز قبل إجراء عمليات الضبط، أو استبدال أجزاء الملحقات أو عند ترك الجهاز. هذا الإجراء الوقائي يمنع بدء تشغيل الأداة الكهربائية دون قصد.
- احتفظ بالأدوات الكهربائية غير المستخدمة بعيدا عن متناول الأطفال. لا تسمح باستخدام الجهاز من قبل أشخاص ليسوا على دراية به أو لم يقرأوا هذه التعليمات. الأدوات الكهربائية خطيرة في حالة استخدامها من قبل أشخاص ليست لديهم الخبرة الواجبة.
- اعتني جيدا بالأدوات الكهربائية والملحقات. افحص الأجزاء المتحركة من حيث أداؤها لوظيفتها بدون مشاكل وعدم انحصارها وافحصها من حيث وجود أجزاء مكسورة أو متعرضة للضرر يمكن أن تؤثر سلبا على وظيفة الأداة الكهربائية. اعمل على إصلاح الأجزاء التالفة قبل استخدام الجهاز. الكثير من الحوادث مصدرها الأدوات الكهربائية التي تم صيانتها بشكل رديء.
- حافظ على أدوات القطع حادة ونظيفة. تتميز أدوات القطع ذات حواف القطع الحادة المعتنى بها بدقة بأنها أقل عرضة للتعثُر وأسهل في التعامل.
- استخدم الأداة الكهربائية والملحقات وأدوات العمل وخلافه طبقا لهذه التعليمات. احرص في هذه الأثناء على مراعاة اشتراطات العمل والمهمة المراد تنفيذها. استخدام الأدوات الكهربائية في تطبيقات غير تلك المقررة لها يمكن أن يؤدي لمواقف خطيرة.
- حافظ على المقابض ومواضع المسك في حالة جافة ونظيفة وخالية من الزيت والشحم. المقابض ومواضع المسك الانزلاقية تمول دون استعمال الأداة الكهربائية والتحكم بها بشكل آمن في المواقف غير المتوقعة.

#### استخدام الأداة العاملة بالبطارية والتعامل معها

- لا تشحن البطارية إلا في أجهزة شحن موصى بها من قبل الجبة الصانعة. بالنسبة لجهاز الشحن المناسب لنوع معين من البطاريات، ينشأ خطر الحريق عند استخدامه مع بطاريات أخرى.
- لا تضع في الأدوات الكهربائية سوى البطاريات المخصصة لها. استخدام بطاريات أخرى يمكن أن يؤدي لوقوع إصابات وخطر الحريق.
- أبعد البطارية غير المستخدمة عن مشابك الورق وقطع النقود المعدنية والمفاتيح والمسامير والبراغي أو الأشياء المعدنية الصغيرة الأخرى التي يمكن أن تتسبب في توصيل الملامسين لبعضهما. حدوث قفلة كهربائية بين أطراف توصيل البطارية يمكن أن ينتج عنه حدوث حروق أو نشوب حريق.
- عند الاستخدام بشكل خاطئ يمكن أن يتسرب سائل من البطارية. تجنب ملامسته. اشطفه بالماء في حالة ملامسته عن طريق الخطأ. إذا وصل السائل للعينين، فتوجه للطبيب علاوة على ذلك. سائل البطارية المتسرب يمكن أن يؤدي لتبيح البشرة أو حدوث حروق.
- لا تستخدم بطارية تالفة أو مختلفة. البطاريات التالفة أو المختلفة قد تتفاعل مع نفسها بشكل غير متوقع مما يؤدي لنشوب حريق أو حدوث انفجار أو وقوع إصابات.
- لا تعرض البطارية للنار أو لدرجات حرارة مرتفعة للغاية. حيث قد تؤدي النار ودرجات الحرارة الزائدة عن 130 م° (265 ف°) إلى حدوث انفجار.
- التزم بكافة التعليمات المعنية بالشحن، ولا تقم أبدا بشحن البطارية أو الأداة العاملة بالبطارية خارج نطاق درجة الحرارة الوارد ذكره في دليل التشغيل. الشحن بشكل خاطئ أو خارج نطاق درجة الحرارة المسموح به قد يتلف البطارية ويزيد من خطر الحريق.

#### الخدمة

- اعمل على إصلاح أدواتك الكهربائية على أيدي فنيين معتمدين فقط والاقصرار على استخدام قطع الغيار الأصلية. وبذلك تتأكد من الحفاظ على سلامة الجهاز.
- لا تقم أبدا بصيانة البطاريات التالفة. يجب أن تتم جميع أعمال الصيانة بمعرفة الجبة الصانعة فقط أو من خلال مراكز خدمة العملاء المعتمدين.

### 2.2 إرشادات السلامة العامة المتعلقة بأعمال التجليخ والتجليخ بألواح السفررة والعمل بالفرشاة السلكية والتلميع والتفريز والقطع السحجي:

- يمكن استخدام هذه الأداة الكهربائية كمجلفة أو مجلخة بألواح السفررة أو فرشاة سلكية أو أداة تلميع أو أداة تفريز أو مجلخة للقطع السحجي. احرص على مراعاة جميع إرشادات السلامة والتعليمات والرسومات والبيانات المرفقة مع الجهاز. وإذا لم تراعى التعليمات التالية، فمن الممكن أن تحدث صدمة كهربائية أو ينشب حريق و/أو تتعرض لإصابات بالغة.
- لا تستخدم ملحق لم تقم الجبة الصانعة بإقراره والتوصية باستخدامه خصيصا لهذه الأداة الكهربائية. وليس معنى تمكنك من تثبيت الملحق بأدواتك الكهربائية ضمان استخدامه بشكل آمن.



- ◀ يجب ألا يقل عدد اللفات المسموح به لأداة الشغل عن عدد اللفات الأقصى المدون على الأداة الكهربائية. فالمملق الذي يدور بسرعة أكبر من السرعة المسموح بها يمكن أن ينكسر ويتطاير في النطاق المحيط.
- ◀ يجب أن يتطابق القطر الخارجي والسلك لأداة الشغل مع مقاسات الأداة الكهربائية الخاصة بك. حيث إن أدوات الشغل ذات المقاسات الفاطنة لا يمكن تأمينها بشكل كاف أو السيطرة عليها.
- ◀ أقرص التجليلج أو أسطوانات التجليلج أو أية ملحقات أخرى يجب أن تكون متوائمة تماما مع بريمة التجليلج أو ظرف الشد بالأداة الكهربائية. أدوات الشغل غير المتوائمة بشكل تام مع موضع تثبيت الأداة الكهربائية تدور بشكل غير منتظم وتبترز بدرجة كبيرة للغاية ويمكن أن تؤدي إلى فقدان السيطرة.
- ◀ أقرص أو أسطوانات التجليلج أو أدوات القطع أو أية ملحقات أخرى مركبة على العمود يجب إدخالها في ظرف الشد أو ملقمة الشد بالكامل. يجب أن يكون "البروز" أو الجزء المر بالعمود عند أدنى حد بين أداة التجليلج وظرف الشد أو ملقمة الشد. إذا لم يتم شد العمود بدرجة كافية أو كان بعيدا عن أداة التجليلج، فيمكن أن تنحل أداة الشغل وتتطاير بسرعة عالية.
- ◀ لا تستخدم أدوات شغل تالفة. افحص أدوات الشغل قبل كل استخدام، مثلا أقرص التجليلج من حيث وجود تصدعات وتشققات، وأسطوانات التجليلج من حيث وجود تشققات أو بري أو تآكل شديد، والفرشات السلكية من حيث وجود أسلاك سائبة أو مكسورة. إذا تعرضت الأداة الكهربائية أو أداة الشغل للسقوط، فتأكد من عدم حدوث أية أضرار أو استخدم أداة شغل ليست بها أضرار. بعد أن تقوم بفحص أداة الشغل وتركيبها ابتعد أنت والأشخاص الموجودين بالقرب من الجهاز عن نطاق دوران أداة الشغل ودع الجهاز يدور بأقصى عدد لفات لمدة دقيقة واحدة. وغالبا ما تنكسر أدوات الشغل المتضررة خلال مدة الاختبار هذه.
- ◀ ارتد تجهيزات الحماية الشخصية. استعمل تبعا للأعمال التي يتم القيام بها قناعا واقيا للوجه بالكامل أو واقيا للعينين أو نظارة واقية. ويقدر الإمكان احرص على ارتداء كمامة واقية من الغبار أو واقيا للسمع أو قفازات حماية أو منزرا خاصا يقيك من جزيئات التجليلج وجزيئات المواد الصغيرة. ينبغي حماية العينين من الأجسام الغريبة المتطايرة التي تنتج في مختلف الاستخدامات. فمن شأن الكمامة الواقية من الغبار أو الكمامة الواقية للتنفس فلترة الغبار الناتج أثناء الاستخدام. إذا تعرضت لضوءا عالية لمدة طويلة يمكن أن تُصاب بفقدان للسمع.
- ◀ في حالة وجود أشخاص آخرين احرص على تواجدهم على مسافة آمنة من نطاق عملك. ويجب على كل من يدخل في نطاق عملك أن يرتدي تجهيزات الحماية الشخصية. فقد تتطاير شظايا من قطعة الشغل وأجزاء مكسورة من الأدوات المستخدمة وتتسبب في وقوع إصابات، حتى خارج نطاق عملك المباشر.
- ◀ عند إجراء أعمال يحتمل فيها أن تتلامس الأداة الكهربائية مع أسلاك كهربائية مخفية، فأمسك الأداة الكهربائية من مواضع المسك المعزولة فقط. حيث أن ملامسة سلك يسري فيه التيار الكهربائي يمكن أن ينقل الجهد الكهربائي للأجزاء المعدنية بالجهاز ويؤدي لحدوث صدمة كهربائية.
- ◀ عند بدء التشغيل أمسك الأداة الكهربائية بإحكام دائما. عند التشغيل بأقصى عدد لفات، قد يؤدي عزم تفاعل الممرح إلى التواء الأداة الكهربائية.
- ◀ استخدم قاطمات لتثبيت قطعة الشغل، إن أمكن. لا تمسك أبدا قطعة الشغل الصغيرة في إحدى يديك والأداة الكهربائية في اليد الأخرى أثناء الاستخدام. يمكنك السيطرة على الأداة الكهربائية بيديك بشكل أفضل من خلال إحكام شد قطع الشغل الصغيرة. عند قطع قطعة مستديرة مثل الأوتاد الخشبية أو القضبان أو الأنابيب، فإن هذه القطع تميل إلى الانزلاق مما يتسبب في انحصار أداة الشغل وتطايرها باتجاهك.
- ◀ لا تضع الأداة الكهربائية أبدا على سطح ارتكاز قبل أن تتوقف أداة الشغل تماما. فأداة الشغل الدوارة يمكن أن تصل إلى سطح الارتكاز مما قد يتسبب في فقدان السيطرة على الأداة الكهربائية.
- ◀ بعد تغيير أدوات الشغل أو أوضاع الضبط بالجهاز، اربط صامولة ظرف الشد، ملقمة الشد وعناصر التثبيت الأخرى بإحكام. يمكن أن تتحرك عناصر التثبيت المرترخية بشكل مفاجئ وتتسبب في فقدان السيطرة، وتطاير المكونات غير الثابتة والدوارة بدرجة قوية.
- ◀ لا تترك الأداة الكهربائية دائرة أثناء حملك لها. فمن الممكن أن تشبك ملابسك مع أداة الشغل الدوارة من خلال التلامس غير المتوقع ومن ثم تتسبب أداة الشغل في جروح غائرة بجسدك.
- ◀ قم بتنظيف فتحات التهوية بالأداة الكهربائية بصفة منتظمة. تسبب مروحة الموتور الغبار إلى جسم الجهاز، ويمكن أن يتسبب التراكم الشديد للغبار المعدني في حدوث أخطار كهربائية.
- ◀ لا تستخدم الأداة الكهربائية بالقرب من مواد قابلة للاشتعال. فالشرر يمكن أن يشعل هذه المواد.
- ◀ لا تستخدم أدوات شغل تتطلب استخدام سوائل تبريد معها. استخدام الماء أو أية سوائل تبريد أخرى يمكن أن يُعرضك لصعقة كهربائية.





## الحركة الارتدادية وإرشادات السلامة المعنية

الحركة الارتدادية هي رد فعل مفاجئ بسبب تعثر أو إعاقة أداة الشغل الدوارة، مثل أسطوانة التجليل وضمن التجليل والفرشاة السلكية وخلافه، حيث إن التعثر أو الإعاقة يؤدي إلى التوقف المفاجئ لأداة الشغل الدوارة. وبالتالي فإن الأداة الكهربائية غير المكمومة جيدا تزداد سرعتها في عكس اتجاه دوران أداة الشغل عند موضع الإعاقة.

فعلى سبيل المثال إذا تعثرت أسطوانة تجليل بشيء ما أو تعرض لإعاقة في قطعة الشغل، يمكن أن تنحصر حافة أسطوانة التجليل المتوغلة في قطعة الشغل مما يتسبب في انحراف أسطوانة التجليل أو حدوث حركة ارتدادية. وعندئذ تتحرك أسطوانة التجليل نحو المستخدم أو بعيدا عنه تبعا لاتجاه دوران الأسطوانة في موضع الإعاقة. ويمكن أيضا أن تنكسر أسطوانات التجليل في تلك الأثناء.

تحدث الحركة الارتدادية نتيجة للاستخدام الخاطيء أو غير السليم للأداة الكهربائية. ويمكن تجنب حدوث ذلك من خلال اتباع إجراءات الوقاية المناسبة، كما سيتم شرحه فيما يلي.

◀ **أمسك الأداة الكهربائية جيدا واحرص على أن يكون جسدك وذراعيك في وضع يمكنك من كبح القوى الارتدادية.** يستطيع المستخدم التحكم في القوى الارتدادية من خلال اتباع الإجراءات الوقائية المناسبة.

◀ **احرص على توقي الحذر الشديد عند العمل في نطاق الأركان والحواف الحادة وخلافه، وتجنب تعرض أدوات الشغل للارتداد أو الانحصار من خلال قطعة الشغل.** تميل أداة الشغل الدوارة إلى الانحصار عند العمل في الأركان أو الحواف الحادة أو عندما ترتد. ويتسبب ذلك في فقدان السيطرة أو حدوث حركة ارتدادية.

◀ **لا تستخدم شفرة منشار مسننة.** فمثل هذه الأدوات كثيرا ما تتسبب في حدوث حركة ارتدادية أو فقدان السيطرة على الأداة الكهربائية.

◀ **قم دائما بتحريك أداة الشغل في نفس الاتجاه الذي تنتهي فيه حافة القطع من الخامة (إطابق نفس الاتجاه الذي تخرج منه النشارة).** عند تحريك الأداة الكهربائية في اتجاه خاطئ، فسوف تنحرف حافة القطع بأداة الشغل عن قطعة الشغل، مما يتسبب في سحب الأداة الكهربائية في هذا الاتجاه المنحرف.

◀ **عند استخدام مبرد دوارة، أسطوانات قطع، أدوات تفريل عالية السرعة أو أدوات تفريل معادن صلبة، احرص على شد قطع الشغل بإحكام.** عند انخفاض الإمالة في المزل تتعثر أداة الشغل وتتسبب في حدوث حركة ارتدادية. وعند تعثر أسطوانة القطع، فسوف تنكسر في العادة. في حالة تعثر المبرد الدوارة، أدوات التفريل عالية السرعة أو أدوات تفريل المعادن الصلبة، فقد تندفع وليجة الأداة من المزل وتؤدي إلى فقدان السيطرة على الأداة الكهربائية.

### إرشادات السلامة الخاصة المتعلقة بالتجليل والقطع السحجي:

◀ **اقتصر على استخدام أدوات التجليل المسموح بها للأداة الكهربائية الخاصة بك وفي الاستخدامات الموصى بها.** مثال: لا تقم أبدا بالتجليل باستخدام السطح الجانبي لأسطوانة قطع. فأسطوانات القطع مخصصة لقطع المواد باستخدام حافة الأسطوانة. ويمكن أن يؤدي تأثير القوى الجانبية الواقع على أداة التجليل هذه إلى انكسارها.

◀ **اقتصر على استخدام أعمدة غير تالفة مع أقلام التجليل المخروطية والمستقيمة المزودة بقلالوظ بحيث تكون متساوية في الحجم والطول، وبدون قطع سفلي من الكتف.** حيث إن استخدام الأعمدة المناسبة يقلل من احتمالية الكسر.

◀ **تجنب حدوث إعاقة لأسطوانة القطع أو الضغط على الجهاز بقوة زائدة للغاية.** لا تقم بعمل قطوع غائرة بشكل زائد، حيث إن التحميل الزائد على أسطوانة القطع يزيد من درجة الإجهاد الواقع عليها ومن قابليتها للانحراف أو الإعاقة وبالتالي إمكانية حدوث حركة ارتدادية أو انكسار أداة التجليل.

◀ **تجنب النطاق الموجود أمام وخلف أسطوانة القطع الدوارة بيديك.** إذا أبعدت أسطوانة القطع المتوغلة في قطعة الشغل عن يديك، فمن الممكن في حالة حدوث حركة ارتدادية أن تنزلق الأداة الكهربائية مع الأسطوانة الدوارة نحوك مباشرة.

◀ **إذا تعرضت أسطوانة القطع للانحصار أو توقفت عن العمل، فأوقف الجهاز واحتفظ به في وضع متزن، إلى أن تتوقف الأسطوانة تماما.** ولا تحاول أبدا سحب أسطوانة القطع المستمرة في الدوران من موضع القطع، وإلا فقد تحدث حركة ارتدادية. حدد سبب الانحصار وتغلب عليه.

◀ **لا تقم بإعادة تشغيل الأداة الكهربائية طالما أنها موجودة في قطعة الشغل.** احرص على أن تصل أسطوانة القطع إلى أقصى عدد لفات لها أولا قبل أن توصل القطع بحرص، وإلا فمن الممكن أن تتعثر الأسطوانة بعائق ما وتندفع من قطعة الشغل أو تتسبب في حدوث حركة ارتدادية.

◀ **قم بتدعيم الألواح أو قطع الشغل الكبيرة للحد من خطر حدوث حركة ارتدادية من جراء انحصار أسطوانة القطع.** قطع الشغل الكبيرة يمكن أن تتعرض للانحناء بفعل وزنها الذاتي. يجب تدعيم قطعة الشغل على كلا جانبي الأسطوانة وكذلك بالقرب من موضع القطع والحافة.



- ◀ احرص على توخي الحذر الشديد عند عمل قطوعات غاطسة في الجدران القائمة أو النطاقات الأخرى المرئية. حيث يمكن أن تتسبب أسطوانة القطع المتوغلة في حدوث حركة ارتدادية عند القطع في مواسير الغاز أو المياه أو الوصلات الكهربائية أو الأجسام الأخرى.
- ◀ إرشادات السلامة الإضافية المتعلقة بالعمل بالفرشات السلكية:
- ◀ يراعى أن الفرشاة السلكية تفقد أيضا عددا من الأسلاك أثناء الاستخدام العادي. لا تقم بزيادة التحميل على الأسلاك من خلال الضغط على الجهاز بقوة زائدة للغاية. الأسلاك المتطايرة يمكن أن تخرق الملابس الرقيقة و/أو الجلد بسهولة.
- ◀ اترك الفرشاة تدور على سرعة العمل لمدة دقيقة على الأقل قبل الاستخدام. تأكد من عدم تواجد أي شخص آخر أمام أو في نفس الخط مع الفرشاة خلال هذه الفترة. يمكن أن تتطاير الأسلاك السائبة خلال فترة التشغيل.
- ◀ قم بتوجيه الفرشاة السلكية الدوارة بعيدا عنك. عند العمل باستخدام الفرشاة يمكن أن تتطاير الجزيئات والأسلاك الصغيرة بسرعة عالية وتخرق الجلد.

### 3.2 التعامل بعناية مع الأجهزة العاملة بالبطاريات واستخدامها

- ◀ تراعى التعليمات الخاصة لنقل وتخزين وتشغيل بطاريات أيونات الليثيوم.
- ◀ أبعد البطاريات عن النار ودرجات الحرارة المرتفعة وأشعة الشمس المباشرة.
- ◀ لا يجوز تفكيك البطاريات أو سحقها أو وضعها في درجة حرارة أعلى من 80°م أو حرقها.
- ◀ لا تستخدم أو تشحن البطاريات التي تعرضت لصددمات، أو سقطت من ارتفاع يزيد على متر أو تعرضت لأية أضرار أخرى. في هذه الحالة، تواصل دائما مع خدمة Hilti.
- ◀ في حالة السخونة الشديدة للبطارية بحيث يتعذر الإمساك بها، فقد تكون تالفة. ضع المنتج في مكان غير قابل للاشتعال وعلى مسافة كافية من الغامات القابلة للاشتعال، وحيث يمكن مراقبته، واتركه حتى يبرد. في هذه الحالة، تواصل دائما مع خدمة Hilti.

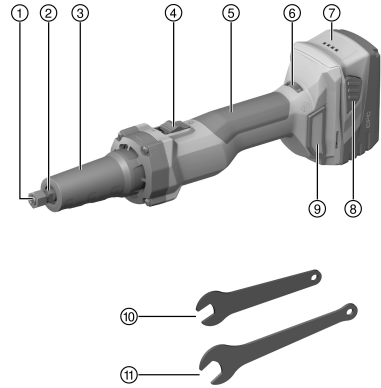
### 4.2 إرشادات إضافية للسلامة

- ◀ عند استخدام المنتج، احرص على مسكه بحيث لا يتعرض جسدك للغبار الناتج من التجليخ والشر أو الشطايا المتطايرة من أداة الشغل.
- ◀ اقتصر على استخدام مفتاح غير تالف ومناسب تماما عند تغيير أداة الشغل.
- ◀ يجب أن تدور أدوات الشغل دون مشاكل. لا تستخدم أدوات شغل تدور بشكل خاطئ.
- ◀ لا تقم بإزالة النشارة أو الشطايا أثناء تشغيل المنتج. قم بإيقاف المنتج.
- ◀ لا تقم بتشغيل الجهاز إلا في نطاق العمل.
- ◀ استعمل قفازا واقيا عند تغيير الأدوات، نظرا لأن أدوات الشغل وظرف تركيب للأدوات تسخن من خلال الاستخدام.
- ◀ خذ قسطا من الراحة أثناء العمل وحرص على عمل تمارين استرخاء وتمارين للأصابع لتدفق الدم في الأصابع بشكل أفضل. عند القيام بأعمال لفترات طويلة فقد يحدث اضطرابات في الأوعية الدموية أو الجهاز العصبي بسبب كثرة الاهتزازات على الأصابع، الأيدي أو معصم اليد.
- ◀ احرص على وجود توبة جيدة لمكان العمل وارزد عند اللزوم قناع تنفس مخصص لنوعية الغبار المنبعث.
- ◀ قم بتنظيف عمود دوران أداة الشغل قبل استخدامه. تأكد من تثبيت عمود دوران أداة الشغل بمسافة لا تقل عن 20 مم في ظرف الشد دائما. أحكم ربط صامولة التثبيت دائما بعد الاستخدام. أدوات الشغل غير المثبتة بشكل كاف قد تنمل أثناء التشغيل وتتطاير.
- ◀ اقتصر على استخدام أدوات الشغل التي تتوافق مع البيانات الواردة في المواصفات الفنية.



1.3 نظرة عامة على المنتج 1

- 1 صامولة تثبيت مزودة بطرف شد
- 2 بريمة
- 3 عنق / مقبض أمامي
- 4 مفتاح تشغيل/إيقاف قابل للتثبيت
- 5 المقبض
- 6 طارة ضبط عدد اللفات
- 7 البطارية
- 8 زر تمرير البطارية
- 9 فلتر الغبار
- 10 مفتاح صغير، 12 مم
- 11 مفتاح كبير، 17 مم



2.3 الاستخدام المطابق للتعليمات

المنتج الموصوف عبارة عن مخلقة مستقيمة. وهي مخصصة لمعالجة المعادن. كما أنها مصممة للتجليخ والقطع السحجي وللعمل باستخدام الفرشات السلكية والتلميع والتفريز. اقتصر على استخدام أدوات شغل ذات عمود دوران بقطر مطابق لطرف الشد المركب. تراعى البيانات الواردة في المواصفات الفنية. هذا المنتج مناسب للاستخدام الجاف دون ماء.

- اقتصر على استخدام بطاريات أيونات الليثيوم Hilti من النوع B 22 مع هذا المنتج.
- اقتصر على استخدام الشواحن المصرح بها من شركة Hilti لهذه البطاريات. تجد المزيد من المعلومات لدى متجر Hilti Store أو على موقع الإنترنت: [www.hilti.group](http://www.hilti.group)

3.3 مجموعة التجهيزات الموردة

مخلقة مستقيمة، مفتاحان، دليل استعمال تجد المزيد من منتجات النظام المسموح بها للمنتج الفاص بك لدى متجر Hilti Store أو على موقع الإنترنت: [www.hilti.group](http://www.hilti.group)

4.3 بيان حالة الشحن ببطارية أيونات الليثيوم

يتم عرض حالة شحن بطارية أيونات الليثيوم بعد النقر على أحد زري تمرير البطارية.

الحالة	الاستعمال
تضيء أربع لمبات LED.	حالة الشحن: 75 % إلى 100 %
تضيء ثلاث لمبات LED.	حالة الشحن: 50 % إلى 75 %
تضيء اثنتان من لمبات LED.	حالة الشحن: 25 % إلى 50 %
لمبة LED واحدة تضيء.	حالة الشحن: 10 % إلى 25 %
لمبة LED واحدة تومض.	حالة الشحن: > 10 %

أثناء العمل وبعده مباشرة لا يمكن الاستعلام عن حالة الشحن. في حالة وميض لمبات LED الخاصة ببيان حالة شحن البطارية يرجى مراعاة الإرشادات الواردة في المساعدة في حالات الاختلالات.



الوزن حسب EPTA Procedure 01 شاملا البطارية B228.0	2.6 كجم
عدد اللغات الاسمي	10,000 لفة/دقيقة ... 25,000 لفة/دقيقة
عدد اللغات الأدنى المطلوب لأداة الشغل	25,000 لفة/دقيقة ≤
قطر عمل أداة الشغل	≥ 55 مم
قطر عمود دوران أداة الشغل	طرف شد 6 مم
	طرف شد 1/4 بوصة
مقاس مفتاح البريمة	12 مم
مقاس مفتاح صامولة التثبيت	17 مم
درجة حرارة التخزين	-20° م ... 70° م
درجة الحرارة المحيطة أثناء التشغيل	-17° م ... 60° م

**1.4 قيم الضوضاء والاهتزاز طبقا للمواصفة EN 62841**

تم قياس ضغط الصوت وقيم الاهتزاز الواردة في هذا الدليل طبقا لأحد معايير القياس المحددة ويمكن الاستعانة بها في إجراء مقارنة بين الأدوات الكهربائية مع بعضها البعض. وهي مناسبة أيضا لتقدير حجم المخاطر بصورة أولية.

المواصفات الواردة تتعلق بالاستخدامات الأساسية للأداة الكهربائية. أما إذا تم استخدام الأداة الكهربائية في تطبيقات أخرى مع أدوات شغل مخالفة للمواصفات أو دون صيانة كافية، ففي هذه الحالة قد تختلف المواصفات. وقد يزيد هذا من نسبة المخاطر طوال مدة العمل بصورة واضحة.

وللحصول على تقدير دقيق لحجم المخاطر ينبغي أيضا مراعاة الأوقات التي يتم فيها إيقاف الجهاز أو التي يتم فيها تشغيل الجهاز ولكن دون استخدام حقيقي. وقد يقلل هذا من نسبة المخاطر طوال مدة العمل بصورة واضحة. احرص على اتخاذ إجراءات إضافية للسلامة من شأنها حماية المستخدم من تأثير الضجيج و/أو الاهتزازات مثل: صيانة الأداة الكهربائية وأدوات الشغل والمحافظ على الأيدي في حالة دافئة وتنظيم مراحل العمل.

**معلومات الضجيج**

مستوى ضغط الصوت المنيعث ( $L_{pA}$ )	76 ديسيبل (A)
نسبة التفاوت لمستوى ضغط الصوت ( $K_{pA}$ )	3 ديسيبل (A)
مستوى شدة الصوت ( $L_{WA}$ )	87 ديسيبل (A)
نسبة التفاوت لمستوى شدة الصوت ( $K_{WA}$ )	3 ديسيبل (A)

**معلومات الاهتزاز**

قيمة انبعاثات الاهتزاز ( $a_h$ )، اعتمادا على قطر أداة الشغل	> 25 مم	0.7 م/ثانية <sup>2</sup>
	25 ... > 50 مم	15.9 م/ثانية <sup>2</sup>
	50 ... 55 مم	22.2 م/ثانية <sup>2</sup>
نسبة التفاوت (K)		1.5 م/ثانية <sup>2</sup>

**2.4 البطارية**

جهد تشغيل البطارية	21.6 فلت
درجة الحرارة المحيطة أثناء التشغيل	-17° م ... 60° م
درجة حرارة التخزين	-20° م ... 40° م
درجة حرارة البطارية عند بدء الشحن	-10° م ... 45° م



**احترس:** ⚠

**خطر الإصابة من خلال التشغيل غير المقصود!**

- تأكد قبل إدخال البطاريات أن الجهاز المختص مطفأ.
- اخلع البطارية قبل إجراء عمليات ضبط الجهاز أو تغيير أجزاء الملحقات التكميلية.

تراجع إرشادات الأمان والإرشادات التحذيرية الواردة في هذا المستند وعلى الجهاز.

**1.5 شمن البطارية**

1. قبل الشمن، قم بقراءة دليل استعمال جهاز الشمن.
2. احرص على أن تكون أطراف تلامس البطارية وجهاز الشمن نظيفة وجافة.
3. قم بشمن البطارية باستخدام شاحن مصرح به.

**2.5 تركيب البطارية****احترس:** ⚠

**خطر الإصابة من خلال قفلة كهربائية أو سقوط البطارية!**

- تأكد قبل تركيب البطاريات في الجهاز من عدم وجود أجسام غريبة بين أطراف توصيل البطارية والجهاز.
- تأكد من تثبيت البطارية بشكل صحيح دائماً.

1. اشمن البطارية لآخرها تماماً قبل التشغيل لأول مرة.
2. قم بتركيب البطارية في حامل الجهاز إلى أن تثبت بصوت مسموع.
3. تفحص البطارية من حيث ثباتها في موضعها بشكل جيد.

**3.5 خلع البطارية**

1. اضغط على أزرار تحرير البطارية.
2. اخلع البطارية من الجهاز.

**4.5 تغيير أداة الشغل 2****تنبيه** ⚠

- **خطر حدوث أضرار** في ظرف الشد الفارغ بسبب إحكام ربط صامولة التثبيت.
- لا تقم بإحكام ربط صامولة الشد أبداً في حالة عدم تركيب أداة شغل.

**احترس:** ⚠

- **خطر حدوث إصابات ووقوع أضرار** من خلال أدوات الشغل التالفة أو التي تدور بشكل غير صحيح.
- لا تستخدم أدوات شغل تالفة. تحقق من دوران المجلعة المستقيمة بسلاسة قبل بدء العمل.

1. أمسك ظرف الشد بالمفتاح الصغير ثم افتح صامولة التثبيت بالمفتاح الكبير.
2. اخلع أداة الشغل من ظرف الشد.
3. أدخل عمود أداة الشغل في ظرف الشد إلى أبعد قدر ممكن.
4. يجب أن يبلغ مقاس عمود الدوران الصافي 10 مم بعد أقصى. يجب إدخال عمود دوران أداة الشغل في ظرف الشد بمسافة 20 مم كحد أدنى.
5. أمسك ظرف الشد بالمفتاح الصغير ثم أحكم ربط صامولة التثبيت بالمفتاح الكبير.
6. تأكد من الثبات الجيد لأداة الشغل.

**6 الاستعمال**

تراجع إرشادات الأمان والإرشادات التحذيرية الواردة في هذا المستند وعلى الجهاز.



## 1.6 التشغيل

1. اضغط على الجزء الخلفي من مفتاح التشغيل/الإيقاف.
2. حرك مفتاح التشغيل/الإيقاف إلى الأمام.
  - ◀ يدور المحرك.
3. تثبت مفتاح التشغيل/الإيقاف.

## 2.6 العمل

1. قم بتشغيل المنتج. – صفحة 146
2. باستخدام طارة ضبط عدد اللفات، اضبط عدد اللفات المناسب لأداة الشغل وغرض الاستخدام المقصود.
3. اقتصر على العمل دائما باستخدام سطح العمل المخصص لأداة الشغل. مثال: لا تقم أبدا بالتجليغ باستخدام السطح الجانبي لأسطوانة قطع. فأسطوانات القطع مخصصة لقطع المواد باستخدام حافة الأسطوانة.
4. قم بتثبيت قطعة الشغل المراد معالجتها. لا تمسك أبدا قطعة الشغل الصغيرة في إحدى يديك والمجلمة المستقيمة في اليد الأخرى أثناء الاستخدام. أمسك المجلمة المستقيمة دائما بكلتا اليدين من المقابض المخصصة لذلك.
5. قم بتحريك المجلمة المستقيمة على قطعة الشغل. اضغط بشكل معتدل أثناء العمل ولا تضغط أداة الشغل في الغامة.

## 3.6 الإيقاف

- ◀ اضغط على الجزء الخلفي من مفتاح التشغيل/الإيقاف.
- ◀ ينتقل مفتاح التشغيل/الإيقاف إلى وضع الإيقاف ويتوقف المحرك.

## 7 العناية والصيانة

### تحذير

**خطر الإصابة عند تكون البطارية مركبة !**

- ◀ احرص على خلع البطارية دائما قبل جميع أعمال الإصلاح والعناية!

### العناية بالجهاز

- قم بإزالة الاتساخ الملتصق بحرص.
- قم بتنظيف فتحات التهوية بحرص باستخدام فرشاة جافة.
- نظف جسم الجهاز باستخدام قطعة قماش مبللة بعض الشيء. لا تستخدم مواد عناية تحتوي على السيليكون لما قد تتسبب فيه من الإضرار بالأجزاء البلاستيكية.

### العناية ببطاريات أيونات الليثيوم

- حافظ على البطارية نظيفة وخالية من الزيت والشحم.
- نظف جسم الجهاز باستخدام قطعة قماش مبللة بعض الشيء. لا تستخدم مواد عناية تحتوي على السيليكون لما قد تتسبب فيه من الإضرار بالأجزاء البلاستيكية.
- تجنب تسرب الرطوبة إليها.

### الصيانة

- افحص جميع الأجزاء المرئية من حيث وجود أضرار وافحص عناصر الاستعمال من حيث كفاءتها الوظيفية.
- في حالة وجود أضرار و/أو اختلالات وظيفية لا تقم بتشغيل المنتج. احرص على الفور على إصلاحه لدى مركز خدمة Hilti.
- بعد أعمال العناية والإصلاح قم بتركيب جميع تجهيزات الحماية وافحصها من حيث الأداء الوظيفي.

للتشغيل الآمن اقتصر على استخدام قطع الغيار الأصلية وخامات الشغل. تجد قطع الغيار وخامات الشغل والملحقات المصرح بها من قبلنا للمنتج الخاص بك في متجر **Hilti Store** أو على موقع الإنترنت: [www.hilti.group](http://www.hilti.group)



1.7 تغيير صامولة التثبيت 4

تنبيه ⚠

خطر حدوث أضرار في ظرف الشد الفارغ بسبب إحكام ربط صامولة التثبيت.  
 لا تقم بإحكام ربط صامولة الشد أبدا في حالة عدم تركيب أداة شغل.

1. أمسك البريمة بالمفتاح الصغير ثم افتح صامولة التثبيت بالمفتاح الكبير.
2. اسحب أداة الشغل من ظرف الشد عند اللزوم.
3. قم بفك صامولة التثبيت تماما من المجلخة المستقيمة باستخدام ظرف الشد.
4. قم بتركيب صامولة التثبيت الجديدة على البريمة باستخدام ظرف الشد ثم اربطها على البريمة دون إحكام. أحكم ربط صامولة التثبيت.

8 نقل وتخزين الأجهزة العاملة بالبطاريات

النقل

⚠ احترس:

التشغيل غير مقصود عند النقل!

- ▶ قم بنقل المنتج دائما بدون البطاريات!
- ▶ اخلع البطاريات.
- ▶ تجنب نقل البطاريات في كميات سائبة.
- ▶ بعد النقل لمسافة طويلة، افحص الجهاز، أدوات الشغل والبطاريات قبل الاستخدام من حيث وجود أضرار.

التخزين

⚠ احترس:

أضرار غير مقصودة بسبب البطاريات التالفة أو التي بها تسريب.!

- ▶ قم بتخزين المنتج دائما بدون البطاريات!
- ▶ يجب تخزين الجهاز وأدوات الشغل والبطاريات في مكان جاف وبارد قدر الإمكان.
- ▶ تجنب تخزين البطاريات تحت أشعة الشمس أو على أجهزة التدفئة أو خلف النوافذ الزجاجية.
- ▶ احرص على تخزين الجهاز وأدوات الشغل والبطاريات في مكان يصعب على الأطفال وغير المؤهلين لاستخدامه الوصول إليه.
- ▶ بعد التخزين لفترة طويلة، افحص الجهاز وأدوات الشغل والبطاريات قبل الاستخدام من حيث وجود أضرار.

9 المساعدة في حالات الاختلالات

في حالة وجود اختلالات غير واردة في هذا الجدول، أو لم تستطع التغلب عليها بنفسك توجه إلى مركز خدمة Hilti.

الخلل	السبب المحتمل	الحل
شحنة البطارية تفرغ بشكل أسرع من المعتاد.	درجة حرارة محيطية شديدة الانخفاض.	▶ اترك البطارية تسخن ببطء حتى درجة حرارة الغرفة.
البطارية لا تثبت بصوت طقطة مسموع.	أطراف تثبيت البطارية متسخة.	▶ قم بتنظيف أطراف التثبيت ثم قم بتركيب البطارية مجددا.
لمبة LED واحدة تومض. الجهاز لا يعمل.	البطارية فارغة الشحنة.	▶ قم بتغيير البطارية واشحن البطارية الفارغة.
جميع لمبات LED الأريج تومض. الجهاز لا يعمل.	البطارية شديدة البرودة أو السخونة.	▶ اترك البطارية تسخن أو تبرد ببطء حتى درجة حرارة الغرفة.
الجهاز لا يعمل.	الجهاز محمّل بشكل زائد.	▶ قم بإيقاف الجهاز ثم أعد تشغيله. ثم دع الجهاز يدور على الفارغ لمدة 30 ثانية تقريبا.
تنشأ سخونة شديدة بالجهاز أو البطارية.	عطل كهربائي	▶ قم بإيقاف الجهاز على الفور، اخلع البطاريات وافحصها جيدا، ثم أتركها تبرد واتصل بمركز خدمة Hilti.



الخلل	السبب المحتمل	الحل
الجهاز لا يعمل بكامل قدرته.	قدرة البطارية المستخدمة ضعيفة للغاية.	استخدم بطارية بقدرة كافية.
لا توجد وظيفة كبح بالموتور.	البطارية فارغة الشحنة.	قم بتغيير البطارية واشحن البطارية الفارغة.
الجهاز يهتز بشدة.	هناك تحميل زائد على الجهاز لفترة قصيرة.	قم بإيقاف الجهاز ثم أعد تشغيله.
	أداة الشغل غير متوافقة مع الجهاز.	اقتصر على استخدام أدوات الشغل التي تتوافق مع البيانات الواردة في المواصفات الفنية.
	أداة الشغل تالفة، تدور بشكل غير صحيح أو غير متزنة.	اقتصر على استخدام أدوات شغل سليمة.
	الجهاز به عطل	إذا تم استبعاد أداة الشغل كسبب في العطل، فتوجه إلى مركز خدمة Hilti.

## 10 التكيين

أجهزة Hilti مصنوعة بنسبة كبيرة من مواد قابلة لإعادة التدوير. يشترط لإعادة التدوير أن يتم فصل الغامات بشكل سليم فنياً. في العديد من الدول تقوم شركة Hilti باستغلال الأجهزة القديمة لإعادة تدويرها. وللمعلومات حول ذلك اتصل بخدمة عملاء Hilti أو الموزع القريب منك.

### التخلص من البطاريات

قد يُشكل التخلص من البطاريات بطريقة غير مطابقة للتعليمات خطراً على الصحة، وذلك من خلال تسرب الغازات أو السوائل.

- ◀ لا تقم بإرسال أو توريد بطاريات تالفة!
- ◀ قم بتغطية التوصيلات باستخدام مادة غير موصلة للكهرباء وذلك لتجنب حدوث قفلات كهربائية.
- ◀ تخلص من البطاريات بحيث لا تصل إلى متناول الأطفال.
- ◀ تخلص من البطارية لدى متجر Hilti Store أو توجه إلى مركز التخلص من النفايات المختص.

◀ لا تلق الأدوات الكهربائية، الأجهزة الإلكترونية والبطاريات ضمن القمامة المنزلية!



## 11 مواصفة RoHS (مواصفة تقييد استخدام المواد الخطيرة)

تجد جدولاً بالمواد الخطرة تحت الرابط التالي: [qr.hilti.com/r11229136](http://qr.hilti.com/r11229136).  
تجد رابط خاص بجدول المواد التي تخص المواصفة RoHS في نهاية هذا المستند على هيئة كود QR.

## 12 ضمان الجبة الصانعة

◀ في حالة وجود أية استفسارات بخصوص شروط الضمان، يرجى التوجه إلى وكيل Hilti المحلي الذي تتعامل معه.





# オリジナル取扱説明書

## 1 文書について

### 1.1 本書について

- ご使用前に本書をすべてお読みください。このことは、安全な作業と問題のない取扱いのための前提条件となります。
- 本書および製品に記載されている安全上の注意と警告表示に注意してください。
- 取扱説明書は常に製品とともに保管し、他の人が使用する場合には、製品と取扱説明書を一緒にお渡しください。

### 1.2 記号の説明

#### 1.2.1 警告表示

警告表示は製品の取扱いにおける危険について警告するものです。以下の注意喚起語が使用されています：



**危険**

危険！

- ▶ この表記は、重傷あるいは死亡事故につながる危険性がある場合に注意を促すために使われます。



**警告**

警告！

- ▶ この表記は、重傷あるいは死亡事故につながる可能性がある場合に注意を促すために使われます。



**注意**

注意！

- ▶ この表記は、軽傷あるいは物財の損傷が発生する可能性がある場合に使われます。

#### 1.2.2 本書の記号

本書では、以下の記号が使用されています：

	使用前に取扱説明書をお読みください
	本製品を効率良く取り扱うための注意事項や役に立つ情報
	リサイクル可能な部品の取扱い
	工具およびバッテリーを一般ゴミとして廃棄してはなりません

#### 1.2.3 図中の記号

図中では以下の記号が使用されています：

<b>2</b>	この数字は本取扱説明書冒頭にある該当図を示しています
3	付番は図中の作業手順の順序に対応していて、本文の作業手順とは一致しない場合があります
⑪	概要図には項目番号が付されていて、製品概要セクションの凡例の番号に対応しています
	この記号は、製品の取扱いの際に特に注意が必要なことを示しています。

### 1.3 製品により異なる記号

#### 1.3.1 製品に表示されている記号

製品には以下の記号が使用されている場合があります：



	本体は、iOS および Android プラットフォームと互換性のある NFC テクノロジーをサポートしています。
	使用されている Hilti Li-Ion バッテリーのモデルシリーズ。正しい使用の章の記載に注意してください。
Li-Ion	Li-Ionen バッテリー
	バッテリーは決して打撃工具として使用しないでください。
	バッテリーは落下させないでください。ぶつかけたり、あるいはその他の理由で損傷しているバッテリーは使用しないでください。
	直流
	保護メガネを着用してください！
n	定格回転数
/min	毎分回転数
RPM	毎分回転数
	直径

#### 1.4 製品情報

製品はプロ仕様で製作されており、その使用、保守、修理を行うのは、認定を受けトレーニングされた人のみに限ります。これらの人は、遭遇し得る危険に関する情報を入手していなければなりません。製品およびアクセサリーの使用法を知らない者による誤使用、あるいは規定外の使用は危険です。機種名および製造番号は銘板に表示されています。

- ▶ 製造番号を以下の表に書き写しておいてください。ヒルティ代理店やサービスセンターへお問い合わせの際には、製品データが必要になります。

##### 製品データ

バッテリー式ストレートグラインダー	GDG 6-A22
製品世代	01
製造番号	

#### 1.5 適合宣言

当社は、単独の責任において本書で説明している製品が有効な基準と標準規格に適合していることを宣言します。適合宣言書の複写は本書の末尾にあります。

技術資料は本書の後続の頁に記載されています：

Hilti Entwicklungsgesellschaft mbH | Zulassung Geräte | Hiltistraße 6 | 86916 Kaufering, DE

## 2 安全

### 2.1 電動工具の一般安全注意事項

**⚠ 警告事項** 本電動工具に付属のすべての安全上の注意、指示事項、図、および製品仕様をお読みください。以下の指示を守らないと、感電、火災および / または重傷事故の危険があります。

安全上の注意および指示事項が書かれた説明書はすべて大切に保管してください。

安全上の注意で使用する用語「電動工具」とは、お手持ちの電動ツール（電源コード使用）またはバッテリーツール（コードレス）を指します。

#### 作業環境に関する安全

- ▶ 作業場はきれいに保ち、十分に明るくしてください。ちらかった暗い場所での作業は事故の原因となります。
- ▶ 爆発の危険性のある環境（可燃性液体、ガスおよび粉じんのある場所）では電動工具を使用しないでください。電動工具から火花が飛散し、粉じんや揮発性ガスに引火する恐れがあります。



- ▶ 電動工具の使用時、子供や無関係者を作業場へ近づけないでください。作業中に気がそらされると、本体のコントロールを失ってしまう恐れがあります。

### 電気に関する安全注意事項

- ▶ 電動工具の接続プラグは電源コンセントにきちんと適合しなければなりません。プラグは絶対に変更しないでください。保護接地した電動工具と一緒にアダプタープラグを使用しないでください。オリジナルのプラグと適切なコンセントを使用することにより、感電の危険を小さくすることができます。
- ▶ パイプ、ラジエーター、電線レンジ、冷蔵庫などのアースされた面に体の一部が触れないようにしてください。体が触れると感電の危険が大きくなります。
- ▶ 電動工具を雨や湿気から保護してください。電動工具に水が浸入すると、感電の危険が大きくなります。
- ▶ 電動工具を持ち運んだり、吊り下げたり、コンセントからプラグを抜いたりするときは、必ず本体を持ち、電源コードを持って引張り張ったりしないでください。電源コードを火気、オイル、鋭利な刃物、可動部に触れる場所に置かないでください。電源コードが損傷したり絡まったりしていると、感電の危険が大きくなります。
- ▶ 屋外工事の場合には、必ず屋外専用の延長コードを使用してください。屋外専用の延長コードを使用すると、感電の危険が小さくなります。
- ▶ 湿った場所で電動工具を動作させる必要がある場合は、漏電遮断器を使用してください。漏電遮断器を使用すると、感電の危険が小さくなります。

### 作業者に関する安全

- ▶ 電動工具を使用の際は、油断せずに十分注意し、常識をもった作業をおこなってください。疲れている場合、薬物、医薬品服用およびアルコール飲用による影響下にある場合には電動工具を使用しないでください。電動工具使用中の一瞬の不注意が重傷の原因となることがあります。
- ▶ 個人用保護具および保護メガネを常に着用してください。負傷の危険を低減するために、電動工具の使用状況に応じた粉じんマスク、耐滑性の安全靴、ヘルメット、耳栓などの個人用保護具を着用してください。
- ▶ 電動工具の意図しない始動を防止して下さい。電動工具を電源および / またはバッテリーに接続する前や本体を持ち上げたり運んだりする前に、本体がオフになっていることを必ず確認してください。オン / オフスイッチが入っている状態で電動工具のスイッチに指を掛けたまま運んだり、電源に接続したりすると、事故の原因となる恐れがあります。
- ▶ 電動工具のスイッチを入れる前に、必ず調節キーやレンチを取り外してください。調節キーやレンチが本体の回転部に装着されたままでは、けがの原因となる恐れがあります。
- ▶ 作業中是不安定な姿勢をとらないでください。足元を安定させ、常にバランスを保つようにしてください。これにより、万一電動工具が異常状況に陥った場合にも、適切な対応が可能となります。
- ▶ 作業に適した作業着を着用してください。だぶだぶの衣服や装身具を着用しないでください。髪、衣服、手袋を本体の可動部に近づけないでください。だぶだぶの衣服、装身具、長い髪が可動部に巻き込まれる恐れがあります。
- ▶ 吸じんシステムの接続が可能な場合には、これらのシステムが適切に接続、使用されていることを確認してください。吸じんシステムを利用することにより、粉じん公害を防げます。
- ▶ 電動工具の取扱いに熟練している場合にも、正しい安全対策を遵守し、電動工具に関する安全規則を無視しないでください。不注意な取扱いは、ほんの一瞬で重傷事故を招くことがあります。

### 電動工具の使用および取扱

- ▶ 無理のある使用を避けてください。作業用途に適した電動工具を使用してください。適切な電動工具の使用により、効率よく、スムーズかつ安全な作業が行えます。
- ▶ スイッチが故障している場合には、電動工具を使用しないでください。スイッチで始動および停止操作のできない電動工具は危険ですので、修理が必要です。
- ▶ 本体の設定やアクセサリの交換を行う前や本体を保管する前には電源プラグをコンセントから抜き、および / または脱着式のバッテリーを取り外してください。この安全処置により、電動工具の意図しない始動を防止することができます。
- ▶ 電動工具をご使用にならない場合には、子供の手の届かない場所に保管してください。電動工具に関する知識のない方、本説明書をお読みでない方による本体のご使用は避けてください。未経験者による電動工具の使用は危険です。
- ▶ 電動工具とアクセサリは慎重に手入れしてください。可動部分が引っ掛かりなく正常に動作しているか、電動工具の運転に影響を及ぼす各部分が破損・損傷していないかを確認してください。電動工具をご使用になる前に、損傷部分の修理を依頼してください。事故の多くは保守管理の不十分な電動工具の使用が原因となっています。
- ▶ 先端工具は鋭利で汚れのない状態を保ってください。お手入れのゆきとどいた先端工具を使用すると、作業が簡単かつ、スムーズになります。
- ▶ 電動工具、アクセサリ、先端工具などは、それらの説明書に記載されている指示に従って使用してください。その際は、作業環境および用途についてもご注意ください。指定された用途以外に電動工具を使用すると危険な状況をまねく恐れがあります。



- ▶ グリップとグリップ面は乾燥した清潔な状態に保ち、オイルやグリスの付着がないようにしてください。グリップやグリップ面が滑りやすい状態になっていると、予期していない状況が発生した際に電動工具を安全に使用 / 制御できません。

#### バッテリー工具の使用および取扱い

- ▶ バッテリーを充電する場合は、必ずメーカー推奨の充電器を使用してください。特定タイプのバッテリー専用の充電器を他のバッテリーに使用すると、火災の恐れがあります。
- ▶ 電動工具には、必ず指定されたバッテリーを使用してください。指定以外のバッテリーを使用すると、負傷や火災の恐れがあります。
- ▶ 使用されていないバッテリーの近くに、事務用クリップ、硬貨、キー、釘、ネジ、その他の小さな金属物を置かないでください。電気接点の短絡が起こることがあります。バッテリーの電気接点間が短絡すると、火傷や火災が発生する危険があります。
- ▶ 正しく使用しないと、液漏れが発生することがあります。その場合、漏れた液には触れないでください。もしも触れてしまった場合は、水で洗い流してください。バッテリー液が眼に入った場合は、水で洗い流してから医師の診察を受けてください。流出したバッテリー液により、皮膚が刺激を受けたり火傷を負う恐れがあります。
- ▶ 損傷したあるいは変更が加えられたバッテリーは使用しないでください。損傷したあるいは変更が加えられたバッテリーは、予測不可能な挙動により爆発あるいは負傷事故を発生させる危険があります。
- ▶ バッテリーは火気あるいは高温に曝さないでください。火気あるいは 130 °C (265 °F) を超える高温は、爆発の原因となることがあります。
- ▶ 充電に関するすべての指示事項に従い、バッテリーあるいはバッテリー工具は、決して取扱説明書に記載された温度範囲外で充電しないでください。正しくない充電あるいは許容温度範囲外での充電により、バッテリーが破壊され火災が発生する危険があります。

#### サービス

- ▶ 電動工具の修理は必ず認定サービスセンターにお申し付けください。また、必ず純正部品を使用してください。これにより電動工具の安全性が確実に維持されます。
- ▶ 損傷したバッテリーは決して手入れや保守を行わないでください。バッテリーの保守作業はすべて、メーカーあるいは権限のあるお客様サービスセンターが行うものとします。

## 2.2 研磨、紙やすり研磨、ワイアブラシを使用した作業、つや出し、フライス加工および切断研磨に共通する安全上の注意：

- ▶ この電動工具は、グラインダー、紙やすりグラインダー、ワイアブラシ、ポリッシャー、フリクションソーとして、またフライス加工に使用することができます。本体に関するすべての安全上の注意、注意事項、図、データに注意してください。以下の注意事項を守らないと、感電、火災および / または重傷事故の発生する危険があります。
- ▶ 本電動工具用としてメーカーから指定および推奨されていないアクセサリは使用しないでください。お使いの電動工具にアクセサリを固定できるというだけでは安全な使用は保証されません。
- ▶ 先端工具の許容回転数は、電動工具に記載された最高回転数よりも高くなければなりません。許容回転数よりも速く回転するアクセサリは、破壊あるいは外れて飛び回る恐れがあります。
- ▶ 先端工具の外径と厚さは、お使いの電動工具の仕様に対応するものでなければなりません。間違ったサイズの先端工具は十分に保護または制御できません。
- ▶ 研磨ディスク、研磨ローラー、その他のアクセサリは電動工具の研磨スピンドルまたはコレットに正確に適合しなければなりません。電動工具のチャックに正確に適合しない先端工具は、回転が不安定になり、非常に激しい振動を起こして制御不能に陥る恐れがあります。
- ▶ アーバーに取り付けられたディスク、研磨シリンダー、切断工具またはその他のアクセサリは、完全にコレットまたはクランプチャックに挿入されていなければなりません。グラインダー本体とコレットまたはクランプチャック間のアーバーの「突出」あるいは支持されていない部分は、最小でなければなりません。アーバーが十分にクランプされていない、あるいはグラインダー本体があまりに出っ張っていると、先端工具が緩んで高速で外れて飛散する可能性があります。
- ▶ 損傷した先端工具は使用しないでください。先端工具を使用する前に毎回、研磨ディスクに欠損や亀裂がないか、研磨ローラーに亀裂、摩耗、激しい損耗がないか、ワイアブラシに緩みや折れたワイアがないかをチェックしてください。電動工具または先端工具を落とした場合は、損傷がないかを点検し、損傷のない先端工具を使用してください。先端工具の点検および取り付け後は、作業者やその他の人員が先端工具の回転エリアに入らないようにして、本体を最高回転数で 1 分間動作させてください。先端工具に損傷がある場合は、たいていこのテスト時間内に先端工具が折れます。
- ▶ 個人保護用具を着用してください。使用状況に応じて、フルフェースガード、アイシールドあるいは保護メガネを着用してください。有効な場合は、防じんマスク、耳栓、保護手袋、作業材料の細かい剥離片や破片から身体を保護する特殊エプロンを着用してください。さまざまな使用状況において異物の飛散が生じます。飛散する異物から目を保護してください。防じんマスクは、作業時に発生する粉じんを捕集するものでなくてはなりません。長時間大きな騒音にさらされていると、聴覚に悪影響が出る恐れがあります。



- ▶ 作業者以外の人は作業場から安全な距離だけ遠ざけてください。関係者は全員、作業場で個人保護用具を着用しなければなりません。作業材料や折れた先端工具の破片が飛散して、作業場外の人も負傷する危険があります。
- ▶ 作業の実施に伴い先端工具が隠れている電線に接触する可能性がある場合は、必ず絶縁されたグリップ面で電動工具を保持するようにしてください。通電しているケーブルと接触すると、本体の金属部分にも電圧がかかり、感電の危険があります。
- ▶ 電動工具は、始動時には常にしっかりと保持してください。最大回転数でスタートさせると、モーターの反発モーメントにより電動工具がよじれることがあります。
- ▶ 可能であれば、拘束具を使用して作業材料を固定してください。電動工具の使用時には、決して小さな作業材料を片手に、もう一方の手に電動工具を持つようなことはしないでください。小さな作業材料を確実に固定することで、電動工具を両手で確実に制御できるようになります。ジベル、パー材あるいはパイプなどの丸い作業材料を切断する際には、それらの作業材料が回転し、それにより先端工具が噛んで作業者に向かって飛び出る危険があります。
- ▶ 必ず電動工具が完全に停止してから電動工具を置いてください。電動工具を置いたときに先端工具が回転していると、電動工具が制御不能に陥る恐れがあります。
- ▶ 先端工具の交換の後、あるいは本体での設定作業の後には、コレットナット、クランプチャック、あるいはその他の固定具を確実に締め付けてください。固定具が緩んでいると、突然にずれて制御できなくなり、固定されていないコンポーネントが回転しながら勢いよく飛散します。
- ▶ 電動工具を身体の脇に保持している間は本体を作動させないでください。回転する先端工具に衣服が接触すると、衣服が巻き込まれて先端工具が身体に食い込む危険があります。
- ▶ 電動工具の通気溝は定期的に清掃してください。モーターブローが埃をハウジング内に引き込んで金属粉じんが大量に堆積すると、電気的な危険が発生する恐れがあります。
- ▶ 可燃物の近くで電動工具を使用しないでください。可燃物に火花が飛んで燃える可能性があります。
- ▶ 冷却液が必要な先端工具は使用しないでください。水あるいはその他の冷却液を使用すると、感電が発生する可能性があります。

#### 反動とそれに対する安全上の注意

反動は、研磨ディスク、バックパッド、ワイヤブラシなどの回転している先端工具が噛んだりブロックされたりしたことに起因する突発的な反応です。先端工具が噛んだりブロックされたりすると、回転している先端工具が突然停止します。これにより電動工具は、ブロックが生じた位置において制御されることなく先端工具の回転方向と反対の方向に加速されます。

例えば、研磨ディスクが作業材料の中で噛んだりブロックされたりすると、作業材料に入り込んだ研磨ディスクの縁部が引っかかって破損したり、反動が起きたりすることがあります。その際は、ブロックされた箇所でのディスクの回転方向により、研磨ディスクが作業者の方向やその逆方向に動きます。この場合研磨ディスクが折損することもあります。

電動工具の取り扱いが正しくないと、反動が生じます。反動は、以下に示すような適切な予防措置を取ることで防止することができます。

- ▶ 電動工具はしっかりと支え、反動を受け止めることができるように身体と腕を構えます。作業者は適切な安全処置を施すことにより反動を防止することができます。
- ▶ 特に角部や鋭い縁部などの領域では慎重に作業してください。先端工具が作業材料から跳ね返ったり、噛んだりしないようにしてください。回転中の先端工具は、角部や鋭い縁部で、あるいはパウンドしたときに噛みやすくなります。その場合、制御不能に陥ったり反動が生じたりします。
- ▶ 歯付きソーブレードは使用しないでください。この種の先端工具を使用すると、頻繁に反動が生じたり電動工具が制御不能になったりします。
- ▶ 先端工具は常に、切断エッジが母材から離れるのと同じ方向で母材へとガイドしてください（切屑が飛散する方向と同じです）。電動工具を正しくない方向にガイドすると先端工具の切断エッジが破損し、それにより電動工具が送り方向へと引っ張られます。
- ▶ 回転やすり、カッティングディスク、高速フライス工具、あるいは超硬フライス工具の使用時には、常に作業材料を確実に固定してください。溝内にわずかな傾斜があるだけでもそれに先端工具が引っかかり、反動が生じることがあります。カッティングディスクは、引っかかることは普通は破損します。回転やすり、高速フライス工具、あるいは超硬フライス工具が引っかかること、先端工具が溝から飛び出して、電動工具の制御が不能になることがあります。

#### 研磨および切断研磨に特定の安全上の注意：

- ▶ お使いの電動工具に許可された研磨ツールを、推奨されている用途のみ使用してください。例：カッティングディスクのサイド面で研磨しないでください。カッティングディスクはディスクの縁部で材料を切断するように規定されています。この研磨ツールへ横方向の力を加えると、ツールが折れる可能性があります。
- ▶ ねじ付きの円錐あるいはストレート研磨ピンには、必ずサイズと長さが適切な損傷していないアーバーを、ショルダー部をカットすることなく使用してください。適切なアーバーにより、破断を回避します。



- ▶ カuttingディスクがブロックされたり、押し付けが強くなりすぎないようにしてください。過度に深い切断は行わないでください。Cuttingディスクに過度な負荷がかかると、応力が強くなってディスクが曲がったりブロックされやすくなるため、反動やディスク破損が生じる可能性が高くなります。
- ▶ 回転中のCuttingディスクの前後領域に手を出さないでください。Cuttingディスクが作業材料内にある状態で手を放すと、回転するディスクにより反力を受けた電動工具が、直接作業者に向かって跳ね返る危険があります。
- ▶ Cuttingディスクが噛んだ場合や作業を中断する場合は、本体の電源をオフにして、ディスクが完全に停止するまで本体を保持してください。まだ回転しているCuttingディスクを切断箇所から取り出そうとしないでください。反動が生じる原因となります。ディスクが噛む場合は、その原因を突き止めて適切な処置を施してください。
- ▶ 電動工具が作業材料内にある間は電動工具のスイッチを再びオンにしないでください。Cuttingディスクが最高回転数に達してから、切断を慎重に再開してください。この手順を守らないと、ディスクが引かかって作業材料から飛び出たり、反動が生じることがあります。
- ▶ 噛んだCuttingディスクによる反動の危険を最小限に抑えるために、プレートや大型の作業材料にはサポートを施してください。大型の作業材料はそれ自身の重みでたわむことがあります。作業材料はディスクの両側、つまり切断箇所付近と縁部で支える必要があります。
- ▶ 既存の壁やその他の見通しのきかない領域でランジカットを行う場合は特に注意してください。押し込んだCuttingディスクはガス管、水道管、電気配線、その他の対象物に食い込んで反動を引き起こすことがあります。

ワイアブラシを使用した作業に対するその他の安全上の注意：

- ▶ ワイアブラシは通常の使用においてもワイア部分が擦り減ることに注意してください。強く押し過ぎてワイアに過度な負荷をかけないでください。飛散するワイア片は薄手の衣服を突き抜けて皮膚まで達することがあります。
- ▶ ブラシは使用前に、1分間以上作業速度で回転させてください。その間は、他の人がブラシの前方あるいはブラシと一直線になる位置にいないように注意してください。慣らし運転中は緩んだワイア片が飛散することがあります。
- ▶ 回転しているワイアブラシは自分から離れる方向へと向けてください。ブラシを使用しての作業中には、小さな破片や微小なワイア片が高速で飛散し、皮膚を突き破って体内に侵入する危険があります。

### 2.3 バッテリーの慎重な取扱いおよび使用

- ▶ Li-Ion バッテリーの搬送、保管、作動については特別規定を守ってください。
- ▶ バッテリーは高温、直射日光および火気を避けて保管してください。
- ▶ バッテリーを分解したり、挟んだり、80℃以上に加熱したり、燃やしたりしないでください。
- ▶ 衝撃を受けたことのあるバッテリー、1mを超える高さから落下したことのあるバッテリー、あるいはその他の損傷を被っているバッテリーを使用あるいは充電しないでください。この場合には、必ず最寄りのHitachi サービスセンターにご連絡ください。
- ▶ バッテリーが掴むことのできないほどに熱くなっている場合は、故障している可能性があります。製品を監視可能な火気のない場所に可燃性の資材から十分に距離をとって置き、冷ましてください。この場合には、必ず最寄りのHitachi サービスセンターにご連絡ください。

### 2.4 その他の安全上の注意

- ▶ 本製品を使用する際は、研削作業で発生する埃、スパーク飛散、および考えられる先端工具または作業材料の破片が作業者の体にあたらないように製品を保持してください。
- ▶ 先端工具の交換時には、必ず適切で損傷のないレンチを使用してください。
- ▶ 先端工具は問題なくスムーズに作動しなければなりません。ゆがんでいる先端工具は使用しないでください。
- ▶ 製品の作動中は切屑あるいは破片の除去は行わないでください。本製品をオフにします。
- ▶ 本体の電源は必ず作業場で入れてください。
- ▶ 先端工具およびチャックは使用することで熱くなるので、先端工具の交換時には保護手袋を着用してください。
- ▶ 休憩を取って緊張をほぐし、指を動かして血の巡りを良くするように心がけてください。長時間作業の際には、振動により指、手あるいは手首の関節の血管あるいは神経系に障害が発生する可能性があります。
- ▶ 作業場の良好な換気に注意し、必要に応じてそれぞれの粉じんに適した防じんマスクを着用してください。
- ▶ 先端工具のシャフトは、使用の前に清掃してください。先端工具のシャフトが常に20mm以上コレットにクランプされていることを確認してください。先端工具の装着の後は、常にクランピングナットを確

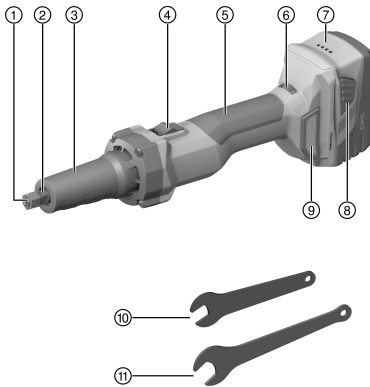


実に締め付けてください。確実に固定されていない先端工具は、作動中に緩んで飛び出ることがあります。

- ▶ 必ず製品仕様で規定されている先端工具を使用してください。

### 3 製品の説明

#### 3.1 製品概要 1



- ① クランピングナットとコレット
- ② スピンドル
- ③ ネック / 前部グリップ
- ④ ロック可能な ON/OFF スイッチ
- ⑤ グリップ
- ⑥ 回転数調整つまみ
- ⑦ バッテリー
- ⑧ バッテリーリリースボタン
- ⑨ 粉じんフィルター
- ⑩ レンチ (小)、12 mm
- ⑪ レンチ (大)、17 mm

#### 3.2 正しい使用

本書で説明している製品はストレートグラインダーです。このストレートグラインダーは、金属加工用です。このストレートグラインダーは、研磨および切断研磨、ワイヤブラシを使用しての作業、つや出しおよびフライス加工用です。

必ず取り付けられているコレットに対応したシャフト径の先端工具を使用してください。製品仕様の記述を確認してください。

本製品は、水を使用しないドライ加工にのみ適した工具です。

- 本製品には、必ずHiltiのB 22シリーズのLi-Ionバッテリーを使用してください。
- これらのバッテリーには、必ずHiltiが承認した充電器を使用してください。詳細情報については、弊社営業担当またはHilti Storeにお問い合わせいただくか、あるいは[www.hilti.group](http://www.hilti.group)でご確認ください。

#### 3.3 本体標準セット構成

ストレートグラインダー、レンチ 2 本、取扱説明書

その他のご使用の製品用に許可されたシステム製品については、弊社営業担当またはHilti Storeにお問い合わせいただくか、あるいは[www.hilti.group](http://www.hilti.group)でご確認ください。

#### 3.4 Li-Ion バッテリーの充電状態インジケーター

Li-Ion バッテリーの充電状態は、2つのバッテリーリリースボタンのいずれかを押すと表示されます。

状態	意味
4 個の LED が点灯。	充電状態：75 %...100 %
3 個の LED が点灯。	充電状態：50 %...75 %
2 個の LED が点灯。	充電状態：25 %...50 %
1 個の LED が点灯。	充電状態：10 %...25 %
1 個の LED が点滅。	充電状態：< 10 %



作業中および作業直後は、充電状態の読み取りは行えません。バッテリーの充電状態インジケーターのLEDが点滅している場合は、「故障時のヒント」の章の注意事項を確認してください。



## 4 製品仕様

EPTA Procedure 01 に準拠した重量 (B228.0 バッテリーを含む)		2.6 kg
定格回転数		10,000/min ... 25,000/min
先端工具の必要最小回転数		≥ 25,000/min
先端工具作動直径		≤ 55 mm
先端工具のシャフト径	コレット 6 mm	6 mm
	コレット 1/4 インチ	1/4 in
スピンドルのレンチ幅		12 mm
クランピングナットのレンチ幅		17 mm
保管温度		-20 °C ... 70 °C
作動時の周囲温度		-17 °C ... 60 °C

### 4.1 騒音および振動値について (EN 62841 準拠)

本説明書に記載されているサウンドプレッシャー値および振動値は、規格に準拠した測定方法に基づいて測定したものです。電動工具を比較するのにご使用いただけます。曝露値の暫定的な予測にも適しています。記載されているデータは、電動工具の主要な使用方法に対する値です。電動工具を他の用途で使用したり、異なる先端工具を取り付けて使用したり、手入れや保守が十分でないまま使用した場合には、データが異なることがあります。このような相違により、作業時間全体で曝露値が著しく高くなる可能性があります。曝露値を正確に予測するためには、本体のスイッチをオフにしている時間や、本体が作動していても実際には使用していない時間も考慮しなければなりません。このような相違により、作業時間全体で曝露値が著しく低くなる可能性があります。

作業者を騒音および / または振動による作用から保護するために、他にも安全対策を立ててください (例 : 電動工具および先端工具の手入れや保守、手を冷やさないようにする、作業手順の編成)。

#### 騒音について

排出サウンドプレッシャーレベル ( $L_{pA}$ )	76 dB(A)
サウンドプレッシャーレベルの不確実性 ( $K_{pA}$ )	3 dB(A)
サウンドパワーレベル ( $L_{WA}$ )	87 dB(A)
サウンドパワーレベルの不確実性 ( $K_{WA}$ )	3 dB(A)

#### 振動について

排出振動値 ( $a_{n1}$ )、先端工具の直径による	< 25 mm	0.7 m/s <sup>2</sup>
	25...< 50 mm	15.9 m/s <sup>2</sup>
	50...55 mm	22.2 m/s <sup>2</sup>
不確実性 (K)		1.5 m/s <sup>2</sup>

### 4.2 バッテリー

バッテリー作動電圧	21.6 V
作動時の周囲温度	-17 °C ... 60 °C
保管温度	-20 °C ... 40 °C
充電開始時のバッテリー温度	-10 °C ... 45 °C

## 5 作業準備

### ⚠ 注意

負傷の危険 意図しない始動 !

- ▶ バッテリーを装着する前に、バッテリーを装着する製品のスイッチがオフになっていることを確認してください。
- ▶ 本体の設定、またはアクセサリーの交換の前にバッテリーを取り外してください。

本書および製品に記載されている安全上の注意と警告表示に注意してください。





## 5.1 バッテリーを充電する

1. 充電の前に充電器の取扱説明書をお読みください。
2. バッテリーと充電器の電気接点は汚れがなく、乾燥していることを確認してください。
3. バッテリーは許可された充電器で充電してください。

## 5.2 バッテリーを装着する

### 注意

**負傷の危険 短絡あるいはバッテリーの落下！**

- ▶ バッテリーを装着する前に、バッテリーの電気接点と製品の電気接点に異物がないことを確認してください。
- ▶ バッテリーが正しくロックされていることを常に確認してください。

1. はじめてお使いになる前にはバッテリーをフル充電してください。
2. ロックの音が聞こえるまでバッテリーを本体ホルダーに装着します。
3. バッテリーがしっかりと装着されていることを確認してください。

## 5.3 バッテリーを取り外す

1. バッテリーのリリースボタンを押します。
2. 本体からバッテリーを抜き取ります。

## 5.4 先端工具を交換する

### 注意

**損傷の危険** コレットが空の状態でのクランピングナットの締め付け。

- ▶ 先端工具が挿入されていない状態では、決してクランピングナットを締め付けしないでください。

### 注意

**負傷や損傷の危険** 回転がスムーズでない、あるいは損傷した先端工具。

- ▶ 損傷した先端工具は使用しないでください。作業を開始する前にストレートグラインダーが振動せず作動することをチェックしてください。

1. 小さいレンチでコレットを保持し、大きいレンチでクランピングナットを開きます。
2. 先端工具をコレットから引き抜きます。
3. 先端工具のシャフトをできるだけコレットに差し込みます。
4. シャフトの内側の寸法 $L_0$ は最大 10 mm までです。先端工具のシャフトは 20 mm 以上コレットに挿入されていなければなりません。
5. 小さいレンチでコレットを保持し、大きいレンチでクランピングナットを締め付けます。
6. 先端工具がしっかりと固定されているか確認します。

## 6 ご使用方法

本書および製品に記載されている安全上の注意と警告表示に注意してください。

### 6.1 スイッチオン

1. ON/OFF スイッチの後部を押します。
2. ON/OFF スイッチを前方にスライドさせます。
  - ▶ モーターが作動します。
3. ON/OFF スイッチをロックします。

### 6.2 作業

1. 製品をオンにします。→ 頁 157
2. 回転数調整つまみで、先端工具と使用目的に適した回転数を設定します。
3. 先端工具は必ず所定の作業面を使用して作業してください。例：カッティングディスクのサイド面で研磨しないでください。カッティングディスクはディスクの縁部で材料を切断するように規定されています。



4. 研磨する作業材料を固定します。ストレートグラインダーの使用時には、決して小さな作業材料を片手に、もう一方の手にストレートグラインダーを持つようなことはしないでください。ストレートグラインダーは、常に両手でグリップを掴んでしっかりと保持してください。
5. ストレートグラインダーを作業材料に接触するまでガイドします。適度な力で作業し、先端工具を母材へと押し込まないようにしてください。

### 6.3 スイッチオフ

- ▶ ON/OFF スイッチの後部を押します。
  - ▶ ON/OFF スイッチはオフ位置になりモーターが停止します。

## 7 手入れと保守

### 警告

バッテリーを装着した状態における負傷の危険！

- ▶ 手入れや保守作業の前に必ずバッテリーを取り外してください！

#### 本体の手入れ

- 強固に付着した汚れは慎重に除去してください。
- 通気溝を乾いたブラシで入念に清掃してください。
- ハウジングは必ず軽く湿らせた布で清掃してください。シリコンを含んだ清掃用具はプラスチック部品をいためる可能性があるので使用しないでください。

#### Li-Ion バッテリーの手入れ

- バッテリーは清潔に保ち、オイルやグリスで汚さないようにしてください。
- ハウジングは必ず軽く湿らせた布で清掃してください。シリコンを含んだ清掃用具はプラスチック部品をいためる可能性があるので使用しないでください。
- 湿気が入り込まないようにしてください。

#### 保守

- 目視確認可能なすべての部品について損傷の有無を、操作エレメントについては問題なく機能することを定期的に点検してください。
- 損傷および / または機能に問題のある場合は、本製品を使用しないでください。直ちに Hilti サービスセンターに修理を依頼してください。
- 手入れおよび保守作業の後には、すべての安全機構を取り付けて機能を点検してください。

### 注意

安全な作動のために、必ず純正のスペアパーツと消耗品を使用してください。本製品向けに弊社が承認したスペアパーツ、消耗品およびアクセサリは、弊社営業担当または Hilti Store にお問い合わせいただくか、あるいは [www.hilti.group](http://www.hilti.group) でご確認ください。

### 7.1 クランピングナットを交換する

#### 注意

損傷の危険 コレットが空の状態でのクランピングナットの締め付け。

- ▶ 先端工具が挿入されていない状態では、決してクランピングナットを締め付けしないでください。

1. 小さいレンチでスピンドルを保持し、大きいレンチでクランピングナットを開きます。
2. 必要に応じて先端工具をコレットから引き抜いてください。
3. クランピングナットとコレットを完全にストレートグラインダーから取り外します。
4. 新しいクランピングナットとコレットをスピンドルに取り付け、クランピングナットをスピンドルに軽くねじ込みます。クランピングナットはきつく締め付けしないでください。

## 8 バッテリー装置の搬送および保管

#### 搬送

### 注意

搬送時の予期しない始動！

- ▶ お使いの製品は、必ずバッテリーを装着していない状態で搬送してください！
- ▶ バッテリーを取り外します。



- ▶ バッテリーは決して梱包しない状態で搬送しないでください。
- ▶ 本体、先端工具、およびバッテリーを長距離にわたって搬送した後は、使用の前に損傷がないかチェックしてください。

#### 保管上の注意事項

##### △ 注意

故障したあるいは液漏れしたバッテリーによる予期しない損傷！

- ▶ お使いの製品は、必ずバッテリーを装着していない状態で保管してください！
- ▶ 本体、先端工具、およびバッテリーは、できるだけ涼しくて乾燥した場所に保管してください。
- ▶ バッテリーを太陽の直射下、ラジエーターの上、窓際等で保管しないでください。
- ▶ 本体、先端工具、およびバッテリーは、子供や権限のない人が手を触れることのないようにして保管してください。
- ▶ 本体、先端工具、およびバッテリーを長期間にわたって保管した後は、使用の前に損傷がないかチェックしてください。

## 9 故障時のヒント

この表に記載されていない、あるいはご自身で解消することのできない故障が発生した場合には、弊社営業担当またはHilti サービスセンターにご連絡ください。

故障	考えられる原因	解決策
バッテリーの放電が通常よりも早い。	周囲温度が低すぎる。	▶ バッテリーをゆっくり室温まで暖める。
バッテリーが「カチッ」と音がするまでロックされない。	バッテリーのロックノッチが汚れている。	▶ ロックノッチを清掃してバッテリーを改めてロックする。
1 個の LED が点滅。 本体が作動しない。	バッテリーが放電している。	▶ バッテリーを交換し、空のバッテリーを充電する。
	バッテリーの温度が低すぎる、または高すぎる。	▶ バッテリーをゆっくり室温まで暖める / 冷ます。
4 個のすべての LED が点滅。 本体が作動しない。	本体の過負荷。	▶ 本体をオフにして、再びオンにする。続いて本体を約 30 秒間アイドリングさせる。
本体あるいはバッテリーが熱くなる。	電氣的故障	▶ 本体の電源を直ちに切ってバッテリーを取り外して観察する、バッテリーを冷ましてHilti サービスセンターに連絡する。
本体がフルパワーにならない。	容量の十分でないバッテリーが装着されている。	▶ 十分な容量のバッテリーを使用する。
モーターの制動機能なし。	バッテリーが放電している。	▶ バッテリーを交換し、空のバッテリーを充電する。
	本体に短期的に過負荷がかかっている。	▶ 本体をオフにして、再びオンにする。
本体が激しく振動する。	先端工具が本体に適合しない。	▶ 必ず製品仕様で規定されている先端工具を使用する。
	先端工具が損傷しているか、ゆがんでいるか、あるいはアンバランスがある。	▶ 必ず不具合のない先端工具を使用する。
	本体の故障	▶ 故障の原因が先端工具ではないことが確実な場合は、Hilti サービスセンターに連絡する。

## 10 廃棄

Hilti 製品の大部分の部品はリサイクル可能です。リサイクル前にそれぞれの部品は分別して回収されなければなりません。多くの国でHiltiは、古い電動工具をリサイクルのために回収しています。詳細については弊社営業担当またはHilti 代理店・販売店にお尋ねください。



## 배터리を廃棄する

배터리를誤った方法で廃棄すると、漏出するガスあるいはバッテリー液により健康を損なう危険があります。

- ▶ 損傷したバッテリーを送付しないでください!
- ▶ 短絡を防止するために接続部を非導電性のもので覆ってください。
- ▶ 배터리는子供が手を触れることのないように廃棄してください。
- ▶ 배터리의廃棄は、最寄りのHilti Storeあるいは適切な廃棄物処理業者に依頼してください。



- ▶ 電動工具、電子機器およびバッテリーを一般ゴミとして廃棄してはなりません!

## 11 RoHS (有害物質使用制限に関するガイドライン)

下記のリンクより、有害物質を記載した表を確認できます: [qr.hilti.com/r11229136](http://qr.hilti.com/r11229136)。  
本書の最終ページに RoHS 表にリンクした QR コードがあります。

## 12 メーカー保証

- ▶ 保証条件に関するご質問は、最寄りのHilti 代理店・販売店までお問い合わせください。

## 오리지널 사용 설명서

### 1 문서 관련 기재사항

#### 1.1 본 문서에 대해

- 처음 사용하기 전에 본 문서 전체를 읽으십시오. 안전하게 작업하고 문제 없이 취급하기 위한 전제가 됩니다.
- 본 문서 및 제품에 나와 있는 안전 지침 및 경고 지침에 유의하십시오.
- 항상 제품에 있는 사용 설명서를 잘 보관하고 제품은 반드시 본 지침과 함께 다른 사람에게 전달하십시오.

#### 1.2 기호 설명

##### 1.2.1 경고사항

본 제품을 다루면서 발생할 수 있는 위험에 대한 경고사항. 다음과 같은 시그널 워드가 사용됩니다.

##### 위험

위험!

- ▶ 이 기호는 직접적인 위험을 표시합니다. 만약 지키지 않으면 심각한 부상을 당하거나 사망할 수도 있습니다.

##### 경고

경고!

- ▶ 이 기호는 잠재적인 위험을 표시합니다. 만약 지키지 않으면 심각한 부상을 당하거나 사망할 수도 있습니다.

##### 주의

주의!

- ▶ 이 기호는 특별히 중요한 안전상의 주의사항을 표시합니다. 만약 지키지 않으면, 심각한 부상 또는 물적 손실을 입을 수 있습니다.

##### 1.2.2 문서에 사용된 기호

본 문서에서 사용되는 기호는 다음과 같습니다.



사용하기 전에 사용설명서를 읽으십시오.



	적용 지침 및 기타 유용한 사용정보
	재사용이 가능한 자재 취급방법
	전기 기기 및 배터리를 일반 가정의 쓰레기처럼 폐기해서는 안 됨

### 1.2.3 그림에 사용된 기호

다음과 같은 기호가 그림에 사용됩니다.

	이 숫자는 본 설명서의 첫 부분에 있는 해당 그림을 나타냅니다.
3	매겨진 숫자는 작업 단계의 순서를 나타내며, 텍스트에 매겨진 작업 단계와 차이가 있을 수 있습니다.
	항목 번호는 개요 그림에서 사용되며, 제품 개요 단락에 나와 있는 기호 설명 번호를 나타냅니다.
	이 표시는 제품을 다룰 때, 특별히 주의할 사항을 나타냅니다.

## 1.3 제품 관련 기호

### 1.3.1 제품에 사용된 기호

제품에 사용되는 기호는 다음과 같습니다.

	본 기기는 iOS 및 Android 플랫폼과 호환 가능한 NFC 기술을 지원합니다.
	사용한 HILTI 리튬이온 배터리 모델 시리즈. 규정에 맞는 사용 단원에 제시된 내용에 유의하십시오.
Li-Ion	리튬이온 배터리
	배터리는 절대 타격 공구로 사용해서는 안 됩니다.
	배터리를 떨어뜨리지 마십시오. 타격을 받은 적이 있거나 다른 손상이 있는 배터리는 사용하지 마십시오.
	직류
	보안경을 착용하십시오!
n	정격 회전 속도
/min	분당 회전수
RPM	분당 회전수
	직경

## 1.4 제품 정보

제품은 전문가용으로 설계되어 있으며, 해당 교육을 이수한 공인된 작업자를 통해서만 조작, 유지 보수 및 수리 작업을 진행할 수 있습니다. 이 기술자는 발생할 수 있는 위험에 대해 특별 교육을 받은 상태여야 합니다. 교육을 받지 않은 사람이 제품을 부적절하게 취급하거나 규정에 맞지 않게 사용할 경우에는 기기와 그 보조기구에 의해 부상을 당할 위험이 있습니다.

형식 명칭 및 일련 번호는 형식 라벨에 제시되어 있습니다.



- ▶ 일련 번호를 다음의 표에 옮기십시오. 대리점 또는 서비스 센터에 문의할 경우 제품 제원이 필요합니다.  
제품 제원

충전 스트레이트 그라인더	GDG 6-A22
세대	01
일련 번호	

## 1.5 적합성 선언

폐사는 전적으로 책임을 지고 여기에 기술된 제품이 통용되는 기준과 규격에 일치함을 공표합니다. 적합성 증명서 사본은 본 문서 끝 부분에서 확인할 수 있습니다.

기술 문서는 이곳에 기술되어 있습니다.

Hilti Entwicklungsgesellschaft mbH | Zulassung Geräte | Hiltistraße 6 | 86916 Kaufering, DE

## 2 안전

### 2.1 전동 공구에 대한 일반적인 안전상의 주의사항

⚠ 경고 해당 전동 공구와 함께 동봉된 모든 안전상의 주의 사항, 지침, 그림 및 기술자료를 숙지하십시오. 다음과 같은 지침 내용을 준수하지 않으면 전기 충격, 화재가 발생하거나 그리고/또는 중상을 입을 수 있습니다. 앞으로 모든 안전상의 주의사항과 지침을 보관하십시오.

안전상의 주의사항에서 사용되는 "전동 공구"라는 개념은 전원에 연결하여 사용하는 전동 공구(전원 케이블 있음) 또는 배터리를 사용하는 전동 공구(전원 케이블 없음)를 의미합니다.

#### 작업장 안전수칙

- ▶ 작업장을 항상 깨끗이 하고 조명이 잘 들도록 하십시오. 어수선한 작업환경 또는 어두운 작업장은 사고를 초래할 수 있습니다.
- ▶ 인화성 액체, 가스 또는 먼지가 있어 폭발 위험이 있는 환경에서는 전동 공구를 사용하지 마십시오. 전동 공구는 먼지나 증기를 점화시킬 수 있는 스파크를 일으킵니다.
- ▶ 전동 공구를 사용할 때, 어린이들이나 다른 사람들이 작업장에 접근하지 못하도록 하십시오. 다른 사람의 방해로 인해 기기를 통제하기 어렵습니다.

#### 전기에 관한 안전수칙

- ▶ 전동 공구의 전원 플러그가 소켓에 잘 끼워져야 합니다. 플러그를 절대 변형시켜서는 안됩니다. 접지된 전동 공구와 함께 아답타 플러그를 사용하지 마십시오. 변형되지 않은 플러그와 적합한 소켓을 사용하면 감전의 위험을 줄일 수 있습니다.
- ▶ 파이프, 히터, 전기레인지, 냉장고와 같은 접지 표면에 신체 접촉을 피하십시오. 신체에 닿을 경우 감전될 위험이 높습니다.
- ▶ 전동 공구가 비에 맞지 않도록 하고 습한 장소에 두지 마십시오. 전동 공구에 물이 들어가면 감전될 위험이 높습니다.
- ▶ 전원 케이블만 잡고 전동 공구를 운반하거나 걸어 놓아서는 안되며, 소켓에서 전원 플러그를 빼낼 때 케이블만 잡은 채로 빼내지 마십시오. 전원 케이블이 열, 오일, 날카로운 모서리 또는 부품의 가동 부위에 접촉하지 않도록 주의하십시오. 손상되거나 서로 꼬인 전원 케이블은 감전 위험을 높입니다.
- ▶ 실외에서 전동 공구를 이용하여 작업할 때, 실외용으로 승인된 연장 케이블만 사용하십시오. 실외용 연장 케이블을 사용하면 감전의 위험을 줄여줍니다.
- ▶ 전동 공구를 습한 환경에서 사용하는 것을 피할 수 없을 경우, 누전 차단기를 사용하십시오. 누전 차단기를 사용하면 감전 위험을 줄일 수 있습니다.

#### 사용자 안전수칙

- ▶ 신중하게 작업하십시오. 작업에 정신을 집중하고 전동 공구를 사용할 때 경솔하게 행동하지 마십시오. 피곤하거나 항정신성 약물, 술 또는 약을 복용시에는 전동 공구를 사용하지 마십시오. 전동 공구 사용 시 이에 유의하지 않을 경우 심각한 부상을 초래할 수 있습니다.
- ▶ 안전 장비를 갖추고 보안경을 착용하십시오. 전동 공구의 종류와 사용에 따라, 먼지 보호 마스크, 미끄럼 방지용 안전 신발, 안전모 또는 귀마개 등과 같은 안전한 보호장비를 착용하면 부상의 위험을 줄일 수 있습니다.
- ▶ 실수로 기기가 작동하지 않도록 주의하십시오. 전동 공구를 전원 그리고/또는 배터리에 연결하기 전, 보관 또는 운반 전에 전동 공구가 스위치 OFF 상태인지 확인하십시오. 전동 공구 운반 시 스위치에 손가락을 대거나 스위치가 켜진 상태에서 전원을 연결하면 사고를 유발할 수 있습니다.
- ▶ 전동 공구의 스위치를 켜기 전, 조정공구 또는 렌치를 제거하십시오. 기기 회전부에 남아있는 공구나 렌치로 인해 부상을 입을 수 있습니다.
- ▶ 작업 시 비정상적인 자세는 피하십시오. 안전한 작업자세가 되도록 하고, 항상 균형을 유지하십시오. 이렇게 하여 예기치 않은 상황에서도 전동 공구를 잘 제어할 수 있습니다.



- ▶ 적합한 작업복을 착용하십시오. 헐렁한 복장이나 장식품을 착용하지 마십시오. 작동하는 기기 가동 부위에 머리, 옷 그리고 장갑이 가까이 닿지 않도록 주의하십시오. 헐렁한 복장, 장식품 혹은 긴 머리가 가동 부위에 말려 들어갈 수 있습니다.
- ▶ 먼지 제거장치나 수거장치를 설치할 수 있는 기기의 경우, 이 장치들이 연결되어 있는지 그리고 제대로 작동되는지를 확인하십시오. 먼지 포집장치 사용은 먼지로 인한 위험을 줄여줄 수 있습니다.
- ▶ 이 전동 공구를 여러번 사용해왔다고 해서 안전하다고 안심하지 말고 전동 공구에 해당하는 안전 규칙을 무시하지 마십시오. 부주의하게 행할 경우 아주 짧은 순간에 중상을 입을 수 있습니다.

#### 전동 공구의 취급과 사용

- ▶ 기기에 과부하가 걸리지 않도록 하십시오. 귀하의 작업에 적합한 전동 공구를 사용하십시오. 적합한 전동 공구를 사용하면, 지정된 성능 한도 내에서 더 효율적으로 안전하게 작업할 수 있습니다.
- ▶ 스위치가 고장난 전동 공구는 사용하지 마십시오. 스위치가 작동되지 않는 전동 공구는 위험하므로, 반드시 수리를 해야 합니다.
- ▶ 기기 세팅을 실행, 액세서리를 교환 또는 기기를 보관하기 전에 컨택터를 전원소켓에서 그리고/또는 탈착식 배터리를 기기에서 빼놓으십시오. 이러한 조치는 실수로 전동 공구가 작동하지 않도록 방지합니다.
- ▶ 사용하지 않는 전동 공구는 어린이들의 손이 닿지 않는 곳에 보관하십시오. 기기 사용에 익숙치 않거나 또는 이 안전수칙을 읽지 않은 사람이 기기를 사용해서는 안 됩니다. 비숙련자가 전동 공구를 사용하면 위험합니다.
- ▶ 전동 공구 및 액세서리를 유의해서 관리하십시오. 기기의 가동 부위가 완벽하게 작동하는지, 끼어 있지 않은지, 혹은 부품이 손상되거나 파손되어 있어 전동 공구의 기능을 저하시키지 않는지 점검하십시오. 기기 사용 전 손상된 부품을 수리하도록 하십시오. 제대로 관리되지 않은 전동 공구는 많은 사고를 유발합니다.
- ▶ 절단기기는 날카롭고 깨끗하게 관리하십시오. 날카로운 절단면이 있고 잘 관리된 절단기기는 끼이는 경우가 드물고 조절하기도 쉽습니다.
- ▶ 본 지침에 따라 전동 공구, 액세서리, 공구 비트 등을 사용하십시오. 이 때 작업 조건과 실시하려는 작업 내용을 고려하십시오. 원래 사용 분야가 아닌 다른 작업에 전동 공구를 사용할 경우, 위험한 상황을 초래할 수 있습니다.
- ▶ 손잡이 및 손잡이 표면은 건조하고 깨끗하게, 그리고 오일과 그리스가 묻어있지 않도록 해야 합니다. 미끄러운 손잡이 및 손잡이 표면은 예상치 못한 상황에서 전동 공구를 안전하게 조작하고 제어할 수 없습니다.

#### 배터리 공구의 취급과 사용

- ▶ 제조회사가 권장하는 충전기에만 배터리를 충전시키십시오. 특정한 형식의 배터리를 사용하도록 규정되어 있는 충전기에 다른 배터리를 사용할 경우 화재 발생의 위험이 있습니다.
- ▶ 전동 공구에 적합하게 규정한 배터리만 사용하십시오. 다른 배터리를 사용하면 부상을 입을 수 있고, 화재가 발생할 수 있습니다.
- ▶ 배터리를 사용하지 않을 경우 클립, 동전, 키, 못, 나사 또는 다른 소형 금속 물질로부터 사용하지 않는 배터리를 멀리 떨어뜨려 놓아주십시오. 배터리 간 단락으로 인한 연소 또는 화재를 초래할 수 있습니다.
- ▶ 잘못 사용할 경우, 배터리로부터 전해액이 흘러나올 수 있습니다. 전해액을 직접 만지지 마십시오. 실수로 만졌을 경우, 물로 씻으십시오. 전해액이 눈에 들어갔으면, 의사와 상담하십시오. 배터리로부터 흘러나온 전해액은 피부를 손상시킬 수 있으며, 화재를 발생시킬 수 있습니다.
- ▶ 손상된 배터리 또는 변경된 배터리를 사용하지 마십시오. 손상된 배터리 또는 변경된 배터리는 예상치 못한 상황 및 화재, 폭발 또는 부상 위험을 초래할 수 있습니다.
- ▶ 배터리에서 불꽃이 발생하거나 또는 배터리가 너무 높은 온도에 노출되지 않게 하십시오. 불꽃 또는 온도가 130 °C (265 °F)를 넘으면 폭발을 일으킬 수 있습니다.
- ▶ 충전에 관한 모든 지침을 준수하여 배터리 또는 배터리 공구를 절대 사용 설명서에 제시된 범위를 벗어난 온도에서 충전하지 마십시오. 잘못 충전하거나 허용된 범위를 벗어난 온도에서 충전하면 배터리가 파손되어 화재 발생 위험이 높아질 수 있습니다.

#### 서비스

- ▶ 전동 공구는 반드시 자격을 갖춘 전문가에 의해 그리고 순정 대체부품만 이용하여 수리해야 합니다. 이렇게 하여 기기의 안전성을 계속해서 유지할 수 있습니다.
- ▶ 손상된 배터리를 절대 수리하지 마십시오. 배터리 수리는 제조회사 또는 권한을 위임받은 고객 서비스센터에서만 이루어져야 합니다.

### 2.2 연삭, 사포 연삭, 와이어 브러시를 사용한 작업, 폴리싱, 밀링 및 연삭 절단을 위한 일반 안전상의 주의사항:

- ▶ 이 전동 공구는 그라인더, 사포 그라인더, 와이어 브러시, 연마기, 밀링 커터 및 절단 그라인더로 사용할 수 있습니다. 기기와 함께 공급되는 모든 안전상의 주의사항, 지침, 그림 및 기술자료에 유의하십시오. 다음 지침에 유의하지 않을 경우, 전기 쇼크, 화재 및 심각한 부상을 입을 수 있습니다.
- ▶ 제조회사에서 이 전동공구 전용으로 규정하고 권장하지 않는 액세서리를 사용하지 마십시오. 액세서리를 전동 공구에 고정시키는 것만 가능하여 안전한 사용은 보장되지 않습니다.
- ▶ 공구 비트에 허용되는 회전속도는 최소 전동 공구에 제시된 최고 회전속도보다 높아야 합니다. 허용범위보다 빠르게 회전하는 액세서리는 파손되거나 분리될 수 있습니다.



- ▶ 공구 비트의 외경과 두께는 전동 공구의 치수 제원에 부합해야 합니다. 제원에 맞지 않는 공구 비트는 충분히 차폐, 제어할 수 없습니다.
- ▶ 그라인딩 디스크, 그라인딩 롤 또는 기타 액세서리가 전동 공구의 연삭 스피들에 정확하게 맞아야 합니다. 전동 공구의 어댑터에 정확하게 맞지 않는 공구 비트는 불규칙하게 회전하고 아주 강한 진동이 발생하여 사용자가 통제력을 잃을 수 있습니다.
- ▶ 아머에 설치된 디스크, 그라인딩 실린더, 절단 공구 또는 기타 액세서리는 골렛 또는 척에 완전히 삽입되어야 합니다. “돌출부” 또는 그라인딩 엘리먼트와 골렛 또는 척 사이에서 아머의 노출된 부분이 최소화되어야 합니다. 아머가 충분히 클램핑되지 않거나 그라인딩 엘리먼트가 너무 튀어나와 있으면, 공구 비트가 풀리고 속도가 높아지면 분리될 수 있습니다.
- ▶ 손상된 공구 비트를 사용하지 마십시오. 사용하기 전에 항상 그라인딩 디스크와 같은 공구 비트의 파손 및 균열 여부, 그라인딩 롤의 균열, 마모 및 심한 마모 여부, 와이어 브러시의 풀림 또는 와이어 파손 여부를 점검하십시오. 전동 공구 또는 공구 비트를 떨어뜨린 경우, 손상되었는지 점검하고 손상되지 않은 공구 비트를 사용하십시오. 공구 비트를 점검하고 설치할 경우, 작업자와 그 주변 사람들이 회전하고 있는 공구 비트에서 떨어지도록 한 뒤 기기를 1분 동안 최고 회전속도로 작동시키십시오. 손상된 공구 비트는 대부분 테스트 시간 동안 부러집니다.
- ▶ 개인 보호장비를 착용하십시오. 기기를 사용할 때마다 완벽한 안전 보호장비 또는 보안경을 착용하십시오. 먼지 보호 마스크, 귀마개, 보호장갑 또는 특수 보호복 착용은 연삭 및 자체 미립자로부터 사용자를 보호합니다. 작업 시 발생하는 이물질이 눈에 들어가지 않도록 하십시오. 먼지를 발생시키는 작업 시 방진 마스크 또는 보호 마스크를 반드시 착용해야 합니다. 장시간 심한 소음에 노출될 경우 청각을 상실할 수 있습니다.
- ▶ 다른 사람이 작업장에서 안전한 거리를 확보하고 있는지 유의하십시오. 작업장에 있는 모든 사람은 개인 보호장비를 착용해야 합니다. 공작물의 부품 파편 또는 파손된 공구 비트가 멀리까지 날아갈 수 있으므로 직접 작업장에 있지 않아도 부상을 입을 수 있습니다.
- ▶ 숨겨진 전선에 공구 비트가 닿게 되는 작업을 실행할 경우, 항상 기기의 절연된 손잡이 부분을 잡으십시오. 전류가 흐르는 전선에 접촉하면 전동 공구의 금속 부위를 통해 감전이 될 수도 있습니다.
- ▶ 작업을 시작할 때 항상 전동 공구를 잘 잡고 계십시오. 전부하 속도로 작동될 때 모터의 응답 토크로 인해 전동 공구가 뒤튕릴 수 있습니다.
- ▶ 가능하다면, 플라이어를 사용하여 공작물을 고정시키십시오. 전동 공구를 사용하는 동안 한손에 소형 공작물을 잡고, 다른 한손으로 전동 공구를 잡는 일이 절대 없도록 하십시오. 소형 공작물을 단단히 고정시키면 양손으로 전동 공구를 더 잘 제어할 수 있습니다. 목재 핀, 바소재 또는 파이프와 같은 원형 공작물을 절단할 경우, 공작물이 굴러가면서 공구 비트가 끼이고, 작업자를 향해 날아갈 수 있습니다.
- ▶ 절대 공구 비트가 완전히 정지하기 전에 전동 공구를 내려놓지 마십시오. 회전하는 공구 비트가 표면에 닿으면 전동 공구의 통제력을 상실할 수 있습니다.
- ▶ 공구 비트 교체 후 또는 기기에서 설정 후 골렛 너트, 척 또는 기타 고정 엘리먼트를 단단히 조이십시오. 느슨한 고정 엘리먼트는 예상치 못하게 위치가 변하여 통제력을 상실할 수 있으며, 고정되지 않은 채로 회전하는 구성품은 심하게 내던져집니다.
- ▶ 전동 공구를 운반하는 동안 작동시키지 않도록 하십시오. 의도하지 않게 쉼이 회전하는 공구 비트에 달려 들어가, 이로 인해 신체에 부상을 입을 수 있습니다.
- ▶ 전동 공구의 환기 슬롯을 정기적으로 청소하십시오. 모터 블로어가 먼지를 하우징으로 끌어당기고 금속 먼지가 많이 축적되면 전기적 위험이 발생할 수 있습니다.
- ▶ 가연성 자체 근처에서 전동 공구를 사용하지 마십시오. 스파크로 인해 가연성 물질이 연소될 수 있습니다.
- ▶ 액상 냉각제를 필요로 하는 공구 비트를 사용하지 마십시오. 물 또는 기타 액상 냉각제를 사용하면 감전을 일으킬 수 있습니다.

#### 반동 현상과 안전상의 주의사항

반동 현상은 공구 비트(그라인딩 디스크, 그라인딩 플레이트, 와이어 브러시 등)가 회전하면서 끼이거나 막힘으로 인해 발생하는 갑작스러운 반응으로, 회전하는 공구 비트가 갑자기 멈추게 됩니다. 이로 인해 제어되지 않은 전동 공구가 공구 비트의 회전반대방향으로 가속됩니다.

예를 들어 그라인딩 디스크가 금속 제품에 끼이거나 블로킹 될 경우, 금속 제품에 그라인딩 디스크가 걸려 디스크가 손상되거나 반동을 유발합니다. 그라인딩 디스크는 블로킹 위치에서 디스크의 작동 방향에 따라 사용자가 있는 방향 또는 반대방향으로 움직이게 됩니다. 이때 그라인딩 디스크가 파손될 수 있습니다.

반동은 전동 공구의 잘못된 또는 결함이 있는 사용으로 인해 발생합니다. 반동 현상은 다음에서 설명하는 것과 같은 적절한 예방책을 통해 예방할 수 있습니다.

- ▶ 전동 공구를 확실하게 고정시키고 신체와 팔을 기기의 반동력을 억제할 수 있는 위치에 놓으십시오. 조작자는 적절한 예방 대책을 통해 반동력을 제어할 수 있습니다.
- ▶ 구석, 날카로운 모서리 등에서 작업할 때 특히 주의하십시오. 공구 비트가 공작물로부터 튀거나 끼이지 않도록 하십시오. 회전하는 공구 비트와 구석, 날카로운 모서리에서 기울어지거나 튀어오를 경우, 고착되어 움직이지 않게 되기 쉽습니다. 이와 같은 현상이 통제력 상실 또는 반동의 원인이 됩니다.
- ▶ 이가 난 톱날을 사용하지 마십시오. 이러한 공구 비트는 자주 반동을 일으키거나 또는 전동 공구에 대한 통제력을 상실하는 원인이 될 수 있습니다.





- ▶ 공구 비트는 항상 절삭날이 소재를 벗어나는 같은 방향에서 소재에 삽입하십시오(칩이 배출되는 방향과 같음). 전동 공구를 잘못된 방향으로 끼우면 공구 비트의 절삭날이 공작물에서 벗어나 전동 공구가 이송 방향으로 분리됩니다.
- ▶ 선삭 파일, 커팅 디스크, 고속 밀링 공구 또는 초경 밀링 공구 사용 시 항상 공작물을 단단히 고정하십시오. 홈에서 약간만 중심이 기울어져도 공구 비트가 걸려 반동을 유발할 수 있습니다. 커팅 디스크가 걸리면 보통 파손됩니다. 선삭 파일, 커팅 디스크, 고속 밀링 공구 또는 초경 밀링 공구가 걸리면, 홈에서 공구 인서트 가 튕겨나와 전동 공구에 대한 통제력을 잃을 수 있습니다.

**연삭 및 연삭 절단에 대한 특별 안전상의 주의사항:**

- ▶ 해당 전동 공구에 해당되는 그라인딩 엘리먼트를 권장하는 용도로만 사용하십시오. 예: 어떠한 경우에도 커팅 디스크의 측면으로 그라인딩하지 마십시오. 커팅 디스크는 디스크의 모서리로 재료를 컷팅하도록 규정되어 있습니다. 이 그라인딩 엘리먼트의 측면에 작용하는 힘은 그라인딩 엘리먼트를 파손시킬 수 있습니다.
- ▶ 원추형 및 나사산이 있는 직선 그라인딩 핀의 경우 슬더 부분을 언더컷하지 않고 올바른 크기와 길이의 손상되지 않은 아버를 사용하십시오. 적합한 아버를 사용해야 파손의 위험이 최소화됩니다.
- ▶ 커팅 디스크가 블로킹되거나 너무 높은 압착력을 받지 않도록 하십시오. 과도하게 깊이 절단하지 마십시오. 컷팅 디스크의 과부하로 인해 디스크의 부하 및 블로킹 또는 기울기에 대한 민감도가 상승하여 반동되거나 그라인딩 엘리먼트가 파손될 수 있습니다.
- ▶ 회전하는 커팅 디스크의 앞 또는 뒤 영역에 손을 두지 마십시오. 공작물에 있는 컷팅 디스크를 손으로 움직이면, 반동 시 회전하는 디스크와 함께 전동 공구가 바로 작업자쪽으로 미끄러질 수 있습니다.
- ▶ 컷팅 디스크가 끼이거나 또는 작업이 중단될 경우, 기기를 차단하고 디스크가 정지할 때까지 그대로 두십시오. 여전히 작동하고 있는 컷팅 디스크를 절단 부위에서 빼내려고 하지 마십시오. 반동이 일어날 수 있습니다. 끼임 현상의 원인을 확인하고 제거하십시오.
- ▶ 전동 공구가 공작물 안에 있을 경우, 전동 공구를 다시 켜지 마십시오. 조심스럽게 절단을 계속 진행하기 전에 먼저 컷팅 디스크가 최고 회전속도에 도달하도록 하십시오. 그렇지 않을 경우 디스크가 인터록되고, 공작물로부터 튀어오르거나 또는 반동이 일어날 수 있습니다.
- ▶ 컷팅 디스크의 끼임에 의한 반동의 위험을 최소화하기 위해 패널 또는 대형 공작물을 지지하십시오. 대형 공작물은 자체 중량으로 인해 휘어질 수 있습니다. 디스크 양쪽, 즉 절단 부위 근처와 가장자리 쪽에서 공작물을 받쳐줘야 합니다.
- ▶ 기존 벽이나 그 외 보이지 않는 영역에서 플런징 절단 작업을 할 경우 특히 주의를 기울이십시오. 플런징 컷팅 디스크는 가스 라인 또는 워터 라인, 전기 배선 또는 다른 물체에서 절단 시 반동의 원인이 될 수 있습니다.

**와이어 브러시 작업에 대한 추가 안전상의 주의사항:**

- ▶ 와이어 브러시는 정상적으로 사용하는 동안에도 와이어가 떨어져 나간다는 점에 유의하십시오. 너무 높은 압착력으로 와이어에 큰 부하를 가하지 마십시오. 떨어져 비산되는 와이어는 아주 가벼워 얇은 옷을 뚫고 들어가거나 또는 피부에 박힐 수 있습니다.
- ▶ 사용하기 전에 브러시를 최소 1분 이상 작동 속도로 작동시키십시오. 작동되는 동안 다른 작업자가 브러시 앞 또는 일직선상에서 있지 않는지 확인하십시오. 처음 시작할 때 풀려 있는 와이어 조각이 훑날 수 있습니다.
- ▶ 회전하는 와이어 브러시가 가까이 두지 마십시오. 이 브러시를 이용해 작업하는 경우 속도가 높아지면 미립자 및 작은 와이어 조각이 피부 속으로 침투할 수 있습니다.

**2.3 배터리의 올바른 사용방법과 취급방법**

- ▶ 리튬 이온 배터리의 운반, 보관 및 사용에 대한 특수 지침에 유의하십시오.
- ▶ 배터리를 고열, 직사광선 및 화염 근처에 두지 마십시오.
- ▶ 배터리를 분해하거나 강한 압력 또는 80°C 이상의 열을 가하거나 연소시켜서는 안됩니다.
- ▶ 충격을 받은 적이 있거나, 1미터가 넘는 높이에서 떨어진 적이 있거나 혹은 다른 방식으로 손상된 배터리는 절대 사용하거나 충전하지 마십시오. 이러한 경우 항상 Hilti 서비스 센터로 문의해 주시기 바랍니다.
- ▶ 배터리를 잠기에 너무 뜨거운 경우에는 고장일 수 있습니다. 가연성 소재와 충분한 간격을 유지하면서, 관찰이 가능한 비연소 장소에 제품을 설치하고 제품을 냉각시키십시오. 이러한 경우 항상 Hilti 서비스 센터로 문의해 주시기 바랍니다.

**2.4 그 외의 안전상의 주의사항**

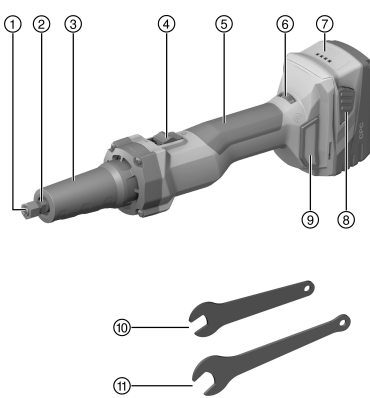
- ▶ 연삭 시 발생하는 먼지, 날아 흩어지는 스파크 및 공구 비트 또는 공작물의 파편이 몸쪽을 향해 부딪히지 않도록 사용 시 제품을 잡고 계십시오.
- ▶ 공구 비트를 교체하려면 손상이 없고 잘 맞는 렌치를 사용하십시오.
- ▶ 공구 비트는 고장 없이 원할하게 작동해야 합니다. 동글지 않은 공구 비트를 사용하지 마십시오.
- ▶ 제품이 작동할 때 칩 또는 스포일러를 제거하지 마십시오. 제품의 전원을 끄십시오.
- ▶ 기기를 작업장에 설치한 다음 기기의 스위치를 켜십시오.



- ▶ 사용하는 동안 공구 비트와 척 아담타가 뜨거워지므로, 공구를 교환할 때에는 보호장갑을 착용하십시오.
- ▶ 손가락의 혈액순환이 잘 되도록 휴식시간 동안 손가락 운동을 하십시오. 장시간 작업하면 진동으로 인해 혈관 장애 또는 손가락, 손 및 손목의 신경 체계에 이상이 있을 수 있습니다.
- ▶ 작업장을 잘 환기시키고 먼지의 종류에 따라 필요 시 보호마스크를 착용하십시오.
- ▶ 공구 비트를 사용하기 전에 공구 비트의 생크를 닦으십시오. 공구 비트의 생크가 항상 클렛과 최소 20 mm 이상의 간격을 유지된 상태로 고정되어 있는지 확인하십시오. 공구 삽입 후 클램핑 너트를 항상 단단히 조이십시오. 공구 비트가 충분히 고정되지 않으면 작동하는 도중에 풀려 훔날릴 수 있습니다.
- ▶ 지술자료에 제시된 제원에 맞는 공구 비트만 사용하십시오.

### 3 제품 설명

#### 3.1 제품 개요



- ① 클램핑 너트 및 클렛
- ② 스펀들
- ③ 넥/앞쪽 손잡이
- ④ 잠글 수 있는 ON/OFF 스위치
- ⑤ 손잡이
- ⑥ 회전속도 조정 휠
- ⑦ 배터리
- ⑧ 배터리 잠금해제 버튼
- ⑨ 먼지 필터
- ⑩ 소형 렌치, 12mm
- ⑪ 대형 렌치, 17mm

#### 3.2 규정에 맞는 사용

기술된 제품은 직선 그라인더입니다. 금속 가공에 사용됩니다. 이 공구는 그라인딩 및 연삭 절단, 와이어 브러시를 이용한 작업, 폴리싱 및 밀링 작업 용으로 설계되었습니다.

장착된 클렛과 생크 직경이 일치하는 공구 비트만 사용하십시오. 기술자료 단원에 제시된 내용에 유의하십시오. 본 제품은 물을 사용하지 않는 건식 작업에 적합합니다.

- 본 제품에는 모델시리즈 B 22의 Hilti 리튬 이온 배터리만 사용하십시오.
- 해당 배터리에는 Hilti에서 승인한 충전기간 사용하십시오. 자세한 정보는 Hilti Store 또는 [www.hilti.group](http://www.hilti.group)에서 확인할 수 있습니다.

#### 3.3 공급품목

직선 그라인더, 렌치 2개, 사용 설명서

해당 제품에 허용되는 기타 시스템 제품은 Hilti Store 또는 다음 사이트에서 확인할 수 있습니다. [www.hilti.group](http://www.hilti.group)

#### 3.4 리튬 이온 배터리의 충전 상태 디스플레이

리튬 이온 배터리의 충전 상태는 배터리 잠금해제 버튼 둘 중 하나를 누르면 표시됩니다.

상태	의미
4개 LED 점등됨.	충전 상태: 75 % ~ 100 %
3개 LED 점등됨.	충전 상태: 50 % ~ 75 %
2개 LED 점등됨.	충전 상태: 25 % ~ 50 %
1개 LED 점등됨.	충전 상태: 10 % ~ 25 %
1개 LED 깜박임.	충전 상태: < 10 %

**i** 작업을 하는 동안 그리고 작업을 끝낸 바로 직후에는 충전상태를 확인하는 것이 불가능합니다. 배터리 충전상태 표시 LED가 점멸할 경우, "고장 시 대책" 장의 지침에 유의하십시오.



## 4 기술자료

<b>EPTA Procedure 01에 따른 무게(배터리 포함)B228.0</b>		2.6kg
정격 회전속도		10,000/min ... 25,000/min
공구 비트에 요구되는 최저 회전속도		≥ 25,000/min
공구 비트 작업 직경		≤ 55mm
공구 비트 샌크 직경	콜렛 6 mm	6mm
	콜렛 1/4 인치	1/4in
스핀들 렌치 사이즈		12mm
클램핑 너트 렌치 사이즈		17mm
보관 온도		-20 °C ... 70 °C
작동 시 주변 온도		-17 °C ... 60 °C

### 4.1 EN 62841에 따른 소음 정보 및 진동값

이 지침에 제시된 음압 및 진동수준은 표준화된 측정방법에 따라 측정된 것이며, 전동 공구를 서로 비교하기 위한 용도로 사용할 수 있습니다. 음압 및 진동 수준은 노출 정도를 사전에 예측하는 데에도 유용하게 사용할 수 있도록 설계되어 있습니다.

제시된 데이터는 전동 공구의 주된 용도를 나타냅니다. 그러나 전동 공구를 다른 용도로 사용하거나 다른 공구 비트를 사용할 경우 또는 유지보수를 충분히 하지 않은 상태에서는 데이터에 편차가 있을 수 있습니다. 이러한 경우 전 작업시간에 걸쳐 노출이 현저하게 증가할 수 있습니다.

노출을 정확하게 평가하기 위해서는 기기 작동이 멈춰 있거나 또는 작동 중이지만 실제로는 사용하지 않는 시간도 고려해야 합니다. 이러한 경우 전 작업시간에 걸쳐 노출이 현저하게 감소할 수 있습니다.

사용자를 보호하기 위해 음파 그리고/또는 진동이 작용하기 전에 다음과 같은 추가적인 안전 조치를 취하십시오. 전동 공구와 공구 비트의 유지보수, 손을 따뜻하게 유지, 작업순서 정하기 등.

#### 소음 정보

음압 수준 ( $L_{pA}$ )	76dB(A)
음압 수준 허용공차 ( $K_{pA}$ )	3dB(A)
소음 수준 ( $L_{WA}$ )	87dB(A)
소음 수준 허용공차 ( $K_{WA}$ )	3dB(A)

#### 진동 정보

진동 배출값 ( $a_{h1}$ ), 공구 비트 직경에 따라 달라짐	< 25mm	0.7m/s <sup>2</sup>
	25 ... < 50 mm	15.9m/s <sup>2</sup>
	50 ... 55 mm	22.2m/s <sup>2</sup>
허용공차 (K)		1.5m/s <sup>2</sup>

### 4.2 배터리

배터리 모드 전압	21.6V
작동 시 주변 온도	-17 °C ... 60 °C
보관 온도	-20 °C ... 40 °C
충전 시작 시 배터리 온도	-10 °C ... 45 °C

## 5 작업 준비

### 주의

**돌발적인 작동으로 인한 부상 위험!**

- ▶ 배터리를 끼우기 전에 해당 제품의 전원이 꺼져 있는지 확인하십시오.
- ▶ 기기 설정 또는 액세서리를 교체하기 전에 배터리를 제거하십시오.

본 문서 및 제품에 나와 있는 안전 지침 및 경고 지침에 유의하십시오.



## 5.1 배터리 충전

1. 충전하기 전에 충전기의 사용 설명서를 읽으십시오.
2. 배터리 및 충전기의 접점이 청결하고 건조한 상태인지 확인하십시오.
3. 허용되는 충전기에서 배터리를 충전하십시오.

## 5.2 배터리 삽입

### ⚠ 주의

단락 또는 배터리 낙하로 인한 부상 위험!

- ▶ 배터리를 끼우기 전에 배터리의 접점 및 제품의 접점에 이물질이 남아 있지 않은지 확인하십시오.
- ▶ 배터리가 제대로 고정되었는지 확인하십시오.

1. 처음으로 사용하기 전, 배터리를 완전히 충전하십시오.
2. 잠기는 소리가 들릴 때까지 배터리를 기기 홀더 안에 끼우십시오.
3. 배터리가 정확하게 설치되어 있는지 점검하십시오.

## 5.3 배터리 제거

1. 배터리의 잠금 해제 버튼을 누르십시오.
2. 배터리를 기기에서 빼내십시오.

## 5.4 공구 비트 교환

### ⚠ 주의

손상 위험 클램핑 너트를 조이면서 비어 있는 콜릿.

- ▶ 공구 비트가 끼워져 있지 않은 경우, 절대 클램핑 너트를 세게 조이지 마십시오.

### ⚠ 주의

부상 위험 및 손상 위험 원할하지 않게 작동하거나 손상된 공구 비트로 인해 발생.

- ▶ 손상된 공구 비트를 사용하지 마십시오. 작업을 시작하기 전에 직선 그라인더가 진동 발생 없이 작동되는지 확인하십시오.

1. 소형 렌치로 콜릿을 잡고, 대형 렌치로 클램핑 너트를 푸십시오.
2. 공구 비트를 잡아 당겨서 콜릿에서 빼내십시오.
3. 공구 비트의 생크를 가능한 대로 콜릿에 끼우십시오.
4. 내측 생크 치수  $L_2$ 은 최대 10 mm를 넘어가면 안 됩니다. 공구 비트의 생크는 콜릿에 최소 20 mm 이상 삽입되어야 합니다.
5. 소형 렌치로 콜릿을 잡고, 대형 렌치로 클램핑 너트를 조이십시오.
6. 공구 비트가 완전히 고정되었는지 점검하십시오.

## 6 조작

본 문서 및 제품에 나와 있는 안전 지침 및 경고 지침에 유의하십시오.

### 6.1 전원 켜기

1. ON/OFF 스위치 뒷 부분을 누르십시오.
2. ON/OFF 스위치를 앞쪽으로 밀어 주십시오.
  - ▶ 모터가 작동합니다.
3. ON/OFF 스위치를 잠그십시오.

### 6.2 작업

1. 제품의 전원을 켜십시오. → 페이지 168
2. 회전속도 조절 다이얼을 통해 공구 비트 및 용도에 맞는 회전속도를 설정하십시오.
3. 항상 공구 비트의 지정된 작업 표면으로만 작업을 진행하십시오. 예: 어떠한 경우에도 커팅 디스크의 측면으로 그라인딩하지 마십시오. 커팅 디스크는 디스크의 모서리로 재료를 커팅하도록 규정되어 있습니다.



4. 가공할 공작물을 고정시키십시오. 직선 그라인더를 사용하는 동안 한손에 소형 공작물을 잡고, 다른 한손으로 그라인더를 잡는 일이 절대 없도록 하십시오. 항상 양손으로 직선 그라인더의 손잡이를 잡고 공구를 고정시키십시오.
5. 직선 그라인더를 공작물에 가까이 가져가십시오. 적절한 압력을 가해 작업하고 소재 안에 공구 비트를 밀착시키시 마십시오.

### 6.3 전원 끄기

- ▶ ON/OFF 스위치 뒷 부분을 누르십시오.
  - ▶ ON/OFF 스위치가 자동으로 OFF 위치로 바뀌고 모터가 정지합니다.

## 7 관리 및 유지보수

### 경고

배터리가 끼워진 상태에서 부상 위험!

- ▶ 관리 및 수리 작업을 진행하기 전에 항상 배터리를 제거하십시오!

#### 기기 관리

- 공구에 부착된 오염물질을 조심스럽게 제거하십시오.
- 마른 솔로 환기 홀을 조심스럽게 청소하십시오.
- 하우징은 약간 물을 적신 천으로만 닦으십시오. 플라스틱 부품을 손상시킬 수 있으므로 절대로 실리콘이 함유된 보호제를 사용하지 마십시오.

#### 리튬 이온 배터리 관리

- 배터리를 오일 및 그리스가 묻지 않도록 깨끗하게 유지하십시오.
- 하우징은 약간 물을 적신 천으로만 닦으십시오. 플라스틱 부품을 손상시킬 수 있으므로 절대로 실리콘이 함유된 보호제를 사용하지 마십시오.
- 습기가 스며들지 않도록 주의하십시오.

#### 유지보수

- 눈에 보이는 모든 부품은 정기적으로 손상 여부를 점검하고 조작 요소가 아무 문제 없이 작동하는지 점검하십시오.
- 손상되었거나 기능 장애가 있는 경우에는 제품을 작동하지 마십시오. 바로 Hilti 서비스 센터에서 수리받으십시오.
- 관리 및 수리 작업 후 모든 보호장치를 가져와 기능을 점검하십시오.



안전하게 작동하기 위해서는 순정품 예비 부품 및 소모품만 사용하십시오. 해당 제품에 허용되는 예비 부품, 소모품 및 액세서리는 **Hilti Store** 또는 에서 확인할 수 있습니다. [www.hilti.group](http://www.hilti.group).

### 7.1 클램핑 너트 교환

#### 주의

손상 위험 클램핑 너트를 조이면서 비어 있는 콜릿.

- ▶ 공구 비트가 끼워져 있지 않은 경우, 절대 클램핑 너트를 세게 조이지 마십시오.

1. 소형 렌치로 스프링들을 잡고, 대형 렌치로 클램핑 너트를 푸십시오.
2. 필요에 따라 공구 비트를 잡아 당겨서 콜릿에서 빼내십시오.
3. 클램핑 너트를 콜릿과 함께 직선 그라인더에서 돌려 빼내십시오.
4. 새 클램핑 너트를 콜릿과 함께 스프링들에 설치한 후 클램핑 너트를 스프링들에 느슨하게 조이십시오. 클램핑 너트를 세게 조이지 마십시오.

## 8 배터리 기기 운반 및 보관

#### 운반

#### 주의

운반 시 돌발적으로 작동됨!

- ▶ 제품은 항상 배터리를 장착하지 않은 상태로 운반하십시오!
- ▶ 배터리를 분리하십시오.
- ▶ 배터리를 포장하지 않은 채로 운반해서는 절대 안 됩니다.



- ▶ 기기, 공구 비트 및 배터리를 장시간 운반한 후에는 사용하기 전에 손상 여부를 점검하십시오.

#### 보관

#### ⚠ 주의

배터리 결함 또는 방전으로 인한 돌발적인 손상!

- ▶ 제품은 항상 배터리를 장착하지 않은 상태로 보관하십시오!

- ▶ 기기, 공구 비트 및 배터리는 최대로 시원하고 건조한 곳에서 보관하십시오.
- ▶ 배터리는 절대 직사광선이 들어오는 곳, 히터 위 또는 유리 뒤쪽에 보관하지 마십시오.
- ▶ 기기, 공구 비트와 배터리는 어린이 및 허용되지 않는 사람의 손에 닿지 않도록 하십시오.
- ▶ 기기, 공구 비트 및 배터리를 장시간 보관한 후에는 사용하기 전에 손상 여부를 점검하십시오.

## 9 문제 발생 시 도움말

본 도표에 제시되어 있지 않거나 스스로 해결할 수 없는 문제가 발생한 경우 **Hilti** 서비스 센터에 문의하십시오.

장애	예상되는 원인	해결책
배터리가 평소보다 더 빨리 방전됨.	주변 온도가 너무 낮음.	▶ 실온에서 배터리를 서서히 따뜻하게 하십시오.
배터리를 밀어 넣을 때 찰락하는 소리가 들리지 않음.	배터리 래치 오염됨.	▶ 배터리 래치를 청소하고 배터리를 다시 끼우십시오.
1개 LED 깜박임. 기기가 작동하지 않음.	배터리가 방전되었음. 배터리 과열 또는 과냉.	▶ 배터리를 교체하고 방전된 배터리를 충전하십시오. ▶ 실온에서 배터리를 서서히 따뜻하게 하거나 또는 냉각시키십시오.
4개 LED 모두 깜박임. 기기가 작동하지 않음.	기기가 과부하되었음.	▶ 기기를 껐다가 다시 켜십시오. 그리고 나서 기기를 공회전 속도에서 약 30 초간 작동시키십시오.
기기 또는 배터리에서 과도한 열 발생.	전기적 결함	▶ 즉시 기기를 끄고, 배터리를 분리하여 관찰한 후 냉각시키십시오. <b>Hilti</b> 서비스센터에 문의하십시오.
기기가 전출력으로 작동되지 않음.	사용한 배터리의 용량이 부족함.	▶ 충분한 용량을 갖춘 배터리를 사용하십시오.
모터의 제동 기능 없음.	배터리가 방전되었음.	▶ 배터리를 교체하고 방전된 배터리를 충전하십시오.
기기 진동이 심함.	공구가 잠시 과부하됨.	▶ 기기를 껐다가 다시 켜십시오.
	공구 비트가 기기와 호환되지 않음.	▶ 지출자료에 제시된 제원에 맞는 공구 비트만 사용하십시오.
	공구 비트가 손상되었거나, 불안정하며 균형이 맞지 않음. 기기 결함	▶ 이상이 없는 공구 비트를 사용하지 마십시오. ▶ 공구 비트가 원인에서 배제된다면, <b>Hilti</b> 서비스 센터에 문의해 주십시오.

## 10 폐기

**Hilti** 기기는 대부분 재활용이 가능한 소재로 제작되었습니다. 재활용을 위해 개별 부품을 분리하여 주십시오. **Hilti**는 대부분의 국가에서 재활용을 위해 노후기기를 수거해 갑니다. **Hilti** 고객 서비스 센터 또는 판매 상담자에게 문의하십시오.

#### 배터리 폐기

배터리를 부적절하게 폐기함으로 인해 가스 또는 용액이 새어나와 건강상의 피해를 입을 수 있습니다.

- ▶ 손상된 배터리는 전달하지 마십시오!
- ▶ 비전도성 소재로 연결 단자를 막아 두어 단락이 발생하지 않게 하십시오.
- ▶ 배터리가 어린이의 손에 닿지 않도록 폐기하십시오.
- ▶ **Hilti Store**에서 배터리를 폐기하거나 또는 담당 폐기물 처리 업체에 문의하십시오.





▶ 전통 공구, 전자식 기기 및 배터리를 일반 가정 쓰레기로 폐기하지 마십시오!

## 11 RoHS (유해물질 사용 제한 지침)

아래 링크에서 유해물질에 관한 도표를 확인할 수 있습니다. [qr.hilti.com/r11229136](http://qr.hilti.com/r11229136).  
RoHS 도표로 이어지는 링크는 본 문서 끝에 QR 코드 형식으로 제시되어 있습니다.

## 12 제조회사 보증

▶ 보증 조건에 관한 질문사항은 Hilti 파트너 지사에 문의하십시오.

# 原始操作說明

## 1 文件相關資訊

### 1.1 關於此文件

- 初次操作或使用前，請先詳讀此文件。本文件包含安全前提、疑難排解處理和產品使用。
- 請遵守本文中與產品上的安全說明和警告。
- 操作說明應與產品一起保管，產品交予他人時必須連同操作說明一起轉交。

### 1.2 已使用的符號說明

#### 1.2.1 警告

警告使用本產品的人員可能發生之危險。採用了以下標示文字：



**危險**

**危險！**

▶ 此標語警示會發生對人造成嚴重傷害甚至致死的危險情形。



**警告**

**警告！**

▶ 此標語警示會造成嚴重傷害甚至致死危險的潛在威脅。



**注意**

**注意！**

▶ 此標語警示可能會發生造成人員受傷，或造成設備及其他財產損壞之危險狀況。

#### 1.2.2 文件中的符號

本文中採用以下符號：



使用前請閱讀操作說明。



使用說明與其他資訊



處理可回收的材料



不可將電子設備與電池當作家庭廢棄物處置

#### 1.2.3 圖解中的符號

圖解中採用了以下符號：

**2**

號碼對應操作說明的開始處的圖解



2277410

3	編號代表圖解中的操作步驟順序，可能與內文中的步驟有所不同
⑪	項目參考編號用於總覽圖解，並請參閱產品總覽章節中使用的編號
	本符號是為了讓您在操作本產品時可以注意某些重點。

### 1.3 產品專屬符號

#### 1.3.1 產品上的符號

產品上會採用下列符號：

	機具支援近距離無線通訊 (NFC) 技術，其相容於iOS及Android平台。
	使用Hilti鋰電池類型系列。請遵守用途一節所提供之資訊。
Li-Ion	鋰電池
	請勿將電池使用作為敲擊工具。
	避免電池掉落。不得使用遭受衝擊或其他原因遭成損壞的電池。
	直流電 (DC)
	請配戴護目鏡！
n	額定速率
/min	每分鐘轉數
RPM	每分鐘轉數
	直徑

### 1.4 產品資訊

產品是針對專業使用者設計，故僅經訓練、認可的人員可操作、維修與維護本產品。必須告知上述人員關於可能遭遇到的特殊危險。若因未經訓練人員操作錯誤或未依照其原本的用途操作，則本產品和它的輔助工具設備有可能會發生危險。

類型名稱和序號都標示於額定銘牌上。

- 在下方表格中填入序號。與Hilti維修中心或當地Hilti機關聯絡查詢產品相關事宜時，我們需要您提供產品詳細資訊。

#### 產品資訊

充電式刻磨機	GDG 6-A22
產品代別	01
序號	

### 1.5 符合聲明

基於我們唯一的責任，本公司在此聲明本產品符合適用的指示或標準。本文件結尾處有符合聲明之副本。

技術文件已歸檔：

Hilti Entwicklungsgesellschaft mbH | Tool Certification | Hiltistrasse 6 | 86916 Kaufering, Germany





## 2 安全性

### 2.1 一般電動機具安全警告

**⚠ 警告** 請詳閱本電動機具提供的所有安全警告、指示、圖解和說明。未能遵守以下所有指示可能會造成電擊事故、火災和/或嚴重的傷害。

妥善保存所有警示及說明，以供將來參考。

注意事項中的「機具」係指使用電源（有線）或電池（無線）的電動機具。

#### 工作區域安全

- ▶ 請保持工作區的清潔與採光充足。雜亂而昏暗的工作區會導致意外發生。
- ▶ 勿在容易發生爆炸的環境中使用機具，例如有可燃性液體、瓦斯或粉塵存在的環境。機具產生的火花可能會引燃塵埃或煙霧。
- ▶ 操作機具時，請與兒童及旁人保持距離。注意力不集中時容易發生失控的情形。

#### 電力安全

- ▶ 機具插頭與插座須能互相搭配。勿以任何方式改裝插頭。勿將任何變壓器插頭和與地面接觸（接地）的電動機具搭配使用。未經改裝的插頭以及能互相搭配的插座可減少發生電擊的危險。
- ▶ 避免讓身體碰到如管線、散熱器、爐灶與冰箱等與土地或地表接觸之物品。如果您的身體接觸到地表或地面，將增加電擊的危險。
- ▶ 請勿將機具曝露在下雨或潮濕的環境中。若水氣進入機具中將增加觸電的危險。
- ▶ 勿濫用電纜線。勿以電纜線吊掛、拖拉機具或拔下機具插頭。電纜線應避開熱氣、油、銳利的邊緣或移動性零件。電纜線損壞或纏繞會增加發生電擊事故的危險。
- ▶ 於室外操作機具時，須使用適用於戶外的延長線。使用適合戶外使用的延長線可降低觸電的風險。
- ▶ 如果無法避免在潮濕的地點操作機具，請使用漏電斷路器（RCD）保護電源供應器。使用漏電斷路器（RCD）可降低電擊的風險。

#### 人員安全

- ▶ 操作機具時，請提高警覺，注意進行中的工作並善用常識。感到疲勞或受到藥物、酒精或治療的影響時勿使用機具。操作機具時稍不留神就可能造成嚴重的人員傷亡。
- ▶ 穿戴個人防護裝備。請隨時穿戴眼罩。適當使用防塵面罩、防滑鞋、安全帽及耳罩等安全防護配備可減少人員的傷害。
- ▶ 避免不經意的啟動。在接上電源或電池組、抬起或攜帶機具之前，務必確認開關處於關閉的位置。攜帶機具時，如果把手指放在開關上，或在開關開啟時，將機具插上插頭容易發生意外。
- ▶ 啟動機具前，應將所有調整鑰匙或扳手移開。將扳手或鑰匙留在機具的旋轉零件中可能會造成人員傷害。
- ▶ 勿將手伸出過遠。隨時站穩並維持平衡。這可讓您在意外情況發生時，對機具有較好的控制。
- ▶ 穿著適當服裝。請勿穿著寬鬆的衣服或佩戴珠寶。頭髮、衣服與手套應遠離移動性零件。移動性零件可能會夾到寬鬆的衣服、珠寶或長髮。
- ▶ 如果機具可連接吸塵裝置與集塵設備，請連接並適當使用這些設備。使用集塵裝置可降低與粉塵有關的危險。
- ▶ 請勿因頻繁而習慣使用機具便疏於遵守或忽略機具的安全規範。草率使用可能在轉眼間便造成嚴重的傷害。

#### 機具使用與保養

- ▶ 不可強制使用機具。依據用途使用正確的機具。根據設計的速率使用機具可更快速安全地完成工作。
- ▶ 若開關無法啟動或關閉電動工具時，請勿使用電動工具。任何無法以開關控制的機具都很危險且需要維修。
- ▶ 在進行任何調整、更換配件、或貯放電動機具前，請先將插頭拔離插座和/或將電池組自電動機具卸下（如可拆卸）。此預防安全措施可降低機具意外啟動的風險。
- ▶ 將閒置的機具貯放在兒童拿不到的地方，勿讓不熟悉或未詳閱本說明的人員操作本機具。機具在未經訓練的使用者手中是很危險的。
- ▶ 維護機具與配件。請檢查移動性零件有無偏移或黏合的情形、零件有無破損，以及任何會影響機具運轉的狀況。如果機具受損，請先維修後再使用。很多意外便是由維護不當的機具造成的。
- ▶ 保持切割機具的銳利與清潔。具銳利切割邊緣的切割機具如果得到適當的維護，便較不會發生黏合的現象，且較容易控制。
- ▶ 遵守本指示說明使用機具、配件和工具組等，並考量工作條件與待進行的工作。將機具用在原目的之外用途可能會造成危險。
- ▶ 保持握把與其表面的乾燥、清潔且不要讓上面出現油漬。握把及其表面濕滑會在意外情況中造成機具無法安全掌控。

#### 電池機具的使用與保養

- ▶ 務必使用原廠指定的充電器進行充電。將適合特定類型電池的充電器使用在其他電池時，會有造成火災的危險。



- ▶ 務必使用機具特別指定的電池匣。使用其他的電池匣可能會造成受傷或火災。
- ▶ 電池匣未使用時，請將其遠離如迴紋針、錢幣、鑰匙、針、固定釘或其他會在電池兩極間形成連結的小型金屬物件。在電池兩極間建立短路可能會造成灼傷或火災。
- ▶ 若使用不當，可能有液體由電池流出；請避免接觸該液體。若不慎接觸，請以清水沖洗。如果不小心讓液體接觸到眼睛，請立即尋求醫療援助。從電池中滲出的液體，可能會導致過敏或灼傷。
- ▶ 請勿使用損壞或改裝過的電池組或機具。受損或改裝過的電池可能會無法正常運作而造成起火、爆炸或受傷的風險。
- ▶ 請勿將電池組或機具暴露在火源或極端的溫度環境中。暴露在火源或溫度超過130°C (265°F) 的環境下可能會造成爆炸。
- ▶ 請遵守充電操作說明且不要在說明所載的溫度範圍之外為電池組或機具充電。不當充電或在指定溫度範圍外充電均可能造成電池損壞並提高起火的風險。

#### 維修服務

- ▶ 請將機具交給合格的維修人員進行維修，並使用相同的替代零件。這可確保維護機具安全。
- ▶ 請勿自行維修損壞的電池。損壞的電池僅可由製造商或授權的維修商進行維修。

## 2.2 研磨、砂磨、鐵刷、拋光、雕刻或研磨切割操作通用之安全警告：

- ▶ 本機具可作為研磨機、砂磨機、鐵刷、拋光機、雕刻或切割機具。請詳閱本電動機具提供的所有安全警告、指示、圖解和說明。未能遵守以下所有指示可能會造成電擊事故、火災和/或嚴重的傷害。
- ▶ 請勿使用非針對本機具設計和機具製造商建議的配件。即使該配件可以與機具完全配合，並不代表可以安全地操作機具。
- ▶ 研磨配件的額定速率，至少必須與標示在機具上的最大速率相同。研磨配件的運轉速率如果比其標示的額定速率還快，可能會造成配件破損並解體。
- ▶ 配件的外徑和厚度，必須在機具的額定速率範圍內。規格不正確的配件無法受到充分的控制。
- ▶ 轉輪、砂磨滾筒的轉軸或其他任何配件的尺寸必須能與機具的轉軸或夾頭配合。如果配件的軸孔無法與嵌在機具上的硬體配合，會造成機具失去平衡、過度震動，進而失去控制。
- ▶ 芯軸安裝式轉輪、砂磨滾筒、切刀或其他配件必須完全插入至夾頭或夾具中。若芯軸未充分固定及/或轉輪之突出端過長，則安裝的轉輪可能會鬆脫或以高速彈出。
- ▶ 不可使用受損配件。每次使用前請檢查配件，如研磨轉輪是否有缺口和裂縫、砂磨滾筒是否有裂縫、撕裂或過度磨損、鐵刷是否鬆脫、鐵絲是否缺損。如果機具或配件掉落，請檢查是否有損毀，或請安裝完好的配件。檢查和安裝配件後，請您與旁觀者站立到運轉中配件平面之外，且在未負載轉速的狀況下，持續讓機具以最快的速度運轉一分鐘。受損配件通常會在此測試期間破裂。
- ▶ 請穿戴個人防護裝備。根據實際操作的狀況，使用面罩、安全護目鏡或防護眼鏡。在適當的情況下，請戴上防塵面罩、耳罩、手套和可以防止碎片或工件斷片的工廠圍裙。護目鏡必須能有效防止不同操作中產生的碎片。防塵面罩或口罩必須能過濾操作中所產生的粉塵。暴露在高分貝噪音中過久，會造成聽力損害。
- ▶ 請隔絕其他人員進入工作區。任何進入工作區的人員必須穿戴個人防護裝備。工件碎片或破損配件可能會飛散，造成操作工作區外人員受傷。
- ▶ 當所進行的工作，其切割配件可能會接觸到隱藏配線，進行操作時應握住機具的絕緣握把。與「導電」電線接觸的切割配件可能會導致機具暴露在外金屬零件「導電」，使得操作人員遭受電擊。
- ▶ 啟動過程中請務必用手握緊機具。馬達加速到全速過程中的扭矩反作用力會造成機具扭曲。
- ▶ 請盡可能用夾具支撐工件。使用時切勿用一手握住小型工件並用另一手握機具。將小型工件夾緊可讓您用雙手控制機具。圓形材料如桿釘桿、管子或軟管在切割時可能會滾動，並可能造成鑽頭卡住或朝您的方向彈起。
- ▶ 請勿在配件工具完全靜止前放下機具。旋轉中的配件可能會被地面絆住，並拉扯機具，導致無法掌控機具。
- ▶ 更換鑽頭或進行任何調校後，請確認夾頭螺帽、夾具或其他任何調校裝置有確實鎖緊。鬆脫的調校裝置可能會意外移動，造成失控，鬆脫的旋轉零件會快速射出。
- ▶ 請勿在身體側邊握住機具時操作機具。不小心與旋轉中配件接觸，可能會撕裂衣物並將配件推向自己的身體。
- ▶ 請定時清理機具的通風口。馬達風扇會將粉塵捲入外殼，累積過多的粉塵會造成機具損壞。
- ▶ 請勿在靠近易燃材料處操作機具。火花可能會引燃這些易燃物。
- ▶ 請勿使用需要冷卻液的配件。使用水或其他冷卻液會造成觸電或電擊事件。

#### 反作用力與相關警告

反作用力是轉輪、砂磨帶、鐵刷或其他配件受到擠壓或斷裂時會出現的突然反應。擠壓和斷裂的轉輪會導致旋轉配件迅速卡死，使得失控的機具以與配件旋轉相反的方向強制運轉。

舉例來說，若研磨轉輪斷裂或受到工件的擠壓，要進入擠壓點的轉輪邊緣可能會鑽進材料的表面，使得轉輪移位或故障。轉輪可能會依照擠壓時的活動方向而飛向或飛離操作員。研磨轉輪也可能會在此情況之下斷裂。



反作用力是機具誤用及 / 或不正確操作程序或情況下的結果，若採用以下正確預防措施，則可避免此情況。

- ▶ 穩固地握住機具，並穩住您的雙臂和身體，以抵抗反作用力。操作員如果採取適當的防護措施，便可以控制反作用力。
- ▶ 處理尖角、銳利的邊緣時，請穿戴特殊的防護裝備，防止反作用力和斷裂的配件。尖角、銳利的邊緣或反作用力會扯斷旋轉中的配件，導致無法控制機具或機具反作用力。
- ▶ 請勿連接鋸齒刀片。此類刀片常會造成反作用力，而無法控制機具。
- ▶ 請務必將鑽頭與切割刀刀離開材料時相同的方向（與碎屑噴出時相同的方向）朝材料進刀。以錯誤方向將機具進刀會造成鑽頭的切割刀刀從工作面彈出並機具朝進刀方向拉扯。
- ▶ 使用旋轉鋸刀、切割轉輪、高速切刀或碳化鎢切刀時，請務必將工件固定好。這類轉輪若在溝槽中稍微傾斜可能會卡住並造成反作用力。切割轉輪卡住時，轉輪本身通常會斷裂。旋轉鋸刀、高速切刀或碳化鎢切刀卡住時，可能會從溝槽彈出並讓您失去對機具的控制。

#### 研磨及研磨切割操作的安全警告：

- ▶ 限使用您機具建議使用的轉輪類型且僅用於建議的應用中。例如：勿以切割轉輪兩側進行研磨。研磨切割轉輪係專為周邊研磨而設計。在轉輪側面施力，可能會使其解體。
- ▶ 螺紋研磨錐柱只能使用未受損的轉輪芯軸，搭配大小與長度均正確的無減輕軸扁凸緣。正確的芯軸可降低斷裂的機會。
- ▶ 不可「硬塞」切割轉輪或施以太大的壓力。不可作太深的切割。轉輪超載會增加負載量，並可能造成切割時轉輪扭曲或卡住，以及發生反作用力或轉輪破損。
- ▶ 勿讓手與旋轉中的轉輪呈一直線或放在其後。轉輪在運轉時的方向，是轉離您的手時，可能發生的反作用力會將旋轉中的轉輪和機具直接推向您。
- ▶ 當轉輪擠壓、卡住或因任何原因中斷切割時，請關閉機具然後握住機具不動，直到轉輪完全停止轉動。請勿嘗試在轉輪運轉時，移除切割轉輪，否則會產生反作用力。了解並採取更正措施，以消除轉輪擠壓或卡住的原因。
- ▶ 勿在工件內重新啟動切割作業。請讓轉輪以全速轉動，並小心重新切割。機具若於工件內重新啟動作業，可能會造成轉輪受到擠壓、向上移動或產生反作用力。
- ▶ 支撐板材或過大的工件，以減少轉輪受到擠壓及產生反作用力的風險。大型的工件可能因為其自身的重量而下垂。必須在工件下，靠近切割線和靠近工件轉輪兩側邊緣加以支撐。
- ▶ 在牆面上或其他盲蔽區域執行「挖空切割」時，請格外小心。突出的轉輪可能會切斷瓦斯管或水管、電線或任何物件，造成反作用力。

#### 鐵刷操作的安全警告：

- ▶ 請注意，即使是正常的操作下，鐵刷也會噴出鋼絲。不可對鐵刷施以太多的壓力而造成鋼絲的負載過重。鋼絲很容易刺穿輕薄的衣物和 / 或皮膚。
- ▶ 使用刷子前，請先以操作速度運轉至少一分鐘。此時請不要讓任何人站在刷子前方或與其呈一直線。鬆脫的鬃毛或鋼絲在磨合時會噴出。
- ▶ 請讓旋轉中鐵刷的噴出物遠離您的位置。使用這類刷子時小碎片及小鋼絲碎片可能會以高速噴出，且可能插到您的皮膚中。

### 2.3 電池的使用與保養

- ▶ 請遵守適用於搬運、貯放和使用鋰電池的特殊法規和操作說明。
- ▶ 請勿讓電池暴露在高溫下、讓陽光直接照射或接觸火焰。
- ▶ 請勿拆解、擠壓或焚燒電池，且不可將電池置放在溫度超過80°C的環境中。
- ▶ 請勿使用或充電受到機構性衝擊、從高處摔落或有損壞跡象之電池。在此情況下，務必聯絡Hilti維修中心。
- ▶ 若電池溫度過高無法觸摸，表示電池可能已經毀損。此時，可將產品置於可隨時觀察並靜置冷卻的非易燃位置，同時遠離易燃物質。在此情況下，務必聯絡Hilti維修中心。

### 2.4 其他安全說明

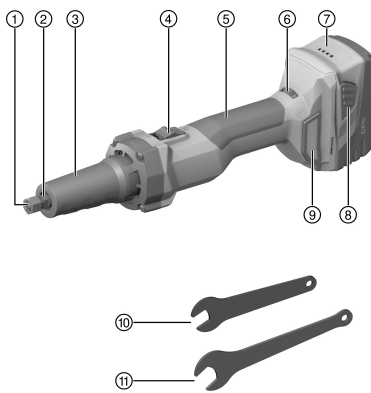
- ▶ 使用本產品時，請以研磨粉塵、噴出的火花及配件工具或工件可能飛出的碎片不會打到您的方式握住產品。
- ▶ 更換配件工具時，請使用尺寸剛好且未受損的扳手。
- ▶ 配件工具必須能完美圓整。請勿使用不圓整的配件工具。
- ▶ 產品仍在運作時，請勿嘗試去除碎屑或材料的碎片。將產品關閉。
- ▶ 僅在將機具定位於工件位置上時，才能啟動電源。
- ▶ 因配件工具與夾頭在使用過程中會變燙，更換配件工具時請戴上防護手套。
- ▶ 請利用工作空檔時休息，並放鬆與活動您的手指以促進血液循環。長時間暴露於震動下會造成手指、手掌和手腕的血管和神經系統失調。
- ▶ 請確保工作場所有良好通風，必要時，請依會產生的粉塵類型配戴適合的口罩。



- ▶ 插入配件工具握把前請先清潔。請務必確認配件工具握把插入夾頭中至少20 mm。插入配件工具後，請務必將螺帽旋緊。未確實固定的配件工具在運作過程中可能會鬆脫並從產品中飛出。
- ▶ 僅可使用符合技術資料中規格的配件工具。

### 3 說明

#### 3.1 產品總覽



- ① 螺帽含夾頭
- ② 主軸
- ③ 頸部 / 正向握把
- ④ 可鎖定On/Off開關
- ⑤ 握把
- ⑥ 速度調整旋鈕
- ⑦ 電池
- ⑧ 電池拆卸鈕
- ⑨ 粉塵過濾器
- ⑩ 小型扳手 (12 mm)
- ⑪ 大型扳手 (17 mm)

#### 3.2 用途

此處所述產品為刻磨機。其設計用於金屬相關作業。其設計用於進行研磨與研磨切割、鐵刷、拋光與雕刻作業。

限使用握把直徑可正確安裝在產品上的配件工具。請遵守技術資料中的資訊。

本產品僅適合不需以水冷卻的乾式應用。

- 本產品限使用B 22系列Hilti鋰電池。
- 僅可使用經Hilti認可的電池充電器為電池充電。可從Hilti Store或[www.hilti.group](http://www.hilti.group)取得更多資訊。

#### 3.3 配備及數量

刻磨機、2個扳手、操作說明

關於本產品，您可於當地Hilti Store或網站查詢其他經過認證可搭配使用的系統產品：[www.hilti.group](http://www.hilti.group)

#### 3.4 鋰電池充電狀態顯示

按下兩個電池拆卸鈕的其中一個後，將會顯示鋰電池的充電狀態。

狀態	意義
4個LED亮起。	充電狀態：75 %至100 %
3個LED亮起。	充電狀態：50 %至75 %
2個LED亮起。	充電狀態：25 %至50 %
1個LED亮起。	充電狀態：10 %至25 %
1個LED閃爍。	充電狀態：< 10 %

當機具正在操作或剛操作後無法讀取其電池充電狀態。若電池充電狀態LED燈閃爍，請參閱故障排除一節所提供的資訊。

### 4 技術資料

重量 (依據EPTA Procedure 01) , 含B22/8.0電池	2.6 kg
額定速率	10,000 rpm ... 25,000 rpm



要求的最低速度 (配件工具)	≥ 25,000 rpm	
工作直徑 (配件工具)	≤ 55 mm	
柄直徑 (配件工具)	夾頭 (6 mm)	6 mm
	夾頭 (1/4 inch)	1/4 in
對面寬度 (主軸)	12 mm	
對面寬度 (螺帽)	17 mm	
貯放溫度	-20 °C ... 70 °C	
操作時的環境溫度	-17 °C ... 60 °C	

#### 4.1 噪音資訊和震動值 (依據EN 62841)

操作說明中所提供之音壓和震動值已參照標準測量，並可用來比較不同機具之噪音。它們也可作為噪音量的初步評估。

提供之資料表示機具主要應用時之數值。若機具應用於不同之用途，搭配不同的配件工具或在保養不良的情況下，其數據會有所不同。在作業過程中，這會大幅提高其噪音量。

當機具關閉，或開啟但未進行任何作業時也應列入考量，才能準確評估噪音量。在作業過程中，這會大幅降低其噪音量。

確認其他安全措施，以保護操作員不受噪音和 / 或震動影響，例如：保養機具與其配件、操作前保持雙手溫暖、作業型式之安排等。

##### 噪音資訊

釋放的音壓級數 ( $L_{pA}$ )	76 dB(A)
無法判定的音壓級數 ( $K_{pA}$ )	3 dB(A)
聲功率級數 ( $L_{WA}$ )	87 dB(A)
無法判定的聲功率級數 ( $K_{WA}$ )	3 dB(A)

##### 震動資訊

震動噪音值 ( $a_n$ ), 視配件工具的直徑而定)	< 25 mm	0.7 m/s <sup>2</sup>
	25 ... < 50 mm	15.9 m/s <sup>2</sup>
	50 ... 55 mm	22.2 m/s <sup>2</sup>
無法判定 (K)	1.5 m/s <sup>2</sup>	

#### 4.2 電池

電池操作電壓	21.6 V
操作時的環境溫度	-17 °C ... 60 °C
貯放溫度	-20 °C ... 40 °C
電池充電啟動溫度	-10 °C ... 45 °C

## 5 工作場所的準備工作

### 注意

因意外啟動 而受傷的危險！

- ▶ 置入電池前，請確認產品已關閉。
- ▶ 在調整機具或變更配件前請先將電池拆下。

請遵守本文中與產品上的安全說明和警告。

#### 5.1 為電池充電

1. 電池充電前，請閱讀充電器的操作手冊。
2. 確認電池的接點和充電器的接點清潔且乾燥。
3. 請使用經認可的充電器對電池充電。



## 5.2 置入電池

### 注意

有受傷的危險 因短路或電池掉落！

- ▶ 置入電池前，請確認電池的接點及產品的接點上無任何異物。
- ▶ 確認電池已確實咬合。

1. 初次使用前，請將電池完全充電。
2. 將電池裝入電池托盤，直到聽見咬合時發出的喀啦聲。
3. 請檢查電池是否安裝牢固。

## 5.3 卸下電池

1. 按下電池拆卸鈕。
2. 請將電池自充電器卸下。

## 5.4 更換配件工具

### 注意

若將螺帽旋緊至空夾頭上 夾頭會有損壞的風險。

- ▶ 切勿在夾頭未插入配件工具時將螺帽旋緊。

### 注意

若配件工具失準或受損 會有受傷與損壞的風險。

- ▶ 勿使用受損的配件工具。開始作業前，請確認刻磨機運作平穩，僅有些微震動。

1. 用小型扳手固定夾頭並用大型扳手將螺帽鬆開。
2. 將配件工具自夾頭拉出。
3. 將配件工具握把盡可能插入夾頭內。
4. 露出的握把長度 $L_0$ 不可超過10 mm。配件工具的握把必須插入夾頭中至少20 mm。
5. 用小型扳手固定夾頭並用大型扳手將螺帽旋緊。
6. 確認配件工具已確實鎖住。

## 6 操作

請遵守本文件中與產品上的安全說明和警告。

### 6.1 開啟開關

1. 按下On/Off開關的後段。
2. 將On/Off開關往前推。
  - ▶ 馬達轉動。
3. 鎖住On/Off開關。

### 6.2 工作類型

1. 啟動機具。→ 頁次 178
2. 轉動速度調整旋鈕，設定適合要使用之配件工具的速度。
3. 限將本配件工具用於適用的工作面。範例：請勿嘗試使用研磨切割碟片的光滑面進行研磨。研磨切割碟片用於以其邊緣進行切割。
4. 固定工件。切勿嘗試用一手握住小型工件並用另一手握住刻磨機。請務必用雙手握住刻磨機的專用握把。
5. 將刻磨機導引至工件中。施加適度壓力且不要將配件工具壓入材料中。

### 6.3 關閉開關

- ▶ 按下On/Off開關的後段。
  - ▶ On/Off開關會跳到關閉位置且馬達會停止。



## 7 維護和保養

### 警告

電池裝入時有受傷的危險！

- ▶ 進行維護及保養前，請務必卸下電池！

### 機具維護及保養

- 小心地清除頑強的髒污。
- 請使用乾燥的刷子小心清潔通風口。
- 僅能使用微濕軟布清潔外殼。勿使用含硅樹脂的清潔或亮光劑，因為可能會造成塑膠零件損壞。

### 鋰電池的保養

- 避免電池沾上油脂。
- 只能使用微濕軟布清潔外殼。勿使用含硅樹脂的清潔或亮光劑，因為可能會造成塑膠零件損壞。
- 避免濕氣進入。

### 維護

- 定期檢查外部零件和控制元件有無損壞跡象，並確認它們運作正常。
- 如果有損壞跡象或任何零件功能故障，請不要操作本產品。請將產品立刻交付Hilti維修中心進行維修。
- 清潔及保養後，裝上所有防護套或保護裝置並檢查功能是否正常。



為確保操作的安全及可靠性，請務必使用原廠Hilti備件與耗材。您可以在Hilti Store或網站：選購Hilti認可的備件、耗材和配件。[www.hilti.group](http://www.hilti.group)。

### 7.1 更換螺帽

#### 注意

若將螺帽旋緊至空夾頭上，夾頭會有損壞的風險。

- ▶ 切勿在夾頭未插入配件工具時將螺帽旋緊。

1. 用小型扳手固定主軸並用大型扳手將螺帽鬆開。
2. 適時將配件工具從夾頭拉出。
3. 將螺帽含夾頭從刻磨機鬆開。
4. 將新螺帽含夾頭放到主軸上，對準螺紋並將螺帽稍微鎖到主軸上。不要將螺帽旋緊。

## 8 充電式機具的搬運與貯放

### 搬運

#### 注意

搬運時意外啟動！

- ▶ 搬運產品時務必卸下電池！
- ▶ 卸下電池。
- ▶ 切勿以堆疊（分散，未受到保護）的方式運送電池。
- ▶ 長時間搬運後，在使用前請檢查配件工具與電池是否有損壞。

### 設備的貯放

#### 注意

電池故障或漏液造成的意外損害！

- ▶ 儲存產品時務必將電池卸下！
- ▶ 請儘可能將機具、配件工具與電池貯放於陰涼乾燥處。
- ▶ 請勿將電池貯放於日光直射處、加熱裝置旁或窗台上。
- ▶ 請將機具、配件工具與電池貯放在乾燥且兒童或未授權的人員無法觸及的地點。
- ▶ 長時間貯放後，在使用前請檢查機具、配件工具與電池是否有損壞。

## 9 故障排除

若您遇到未列出的問題或是無法自行排除的問題，請聯絡Hilti維修中心。



故障	可能原因	解決方法
本電池較一般電池壽命短。	周遭環境溫度極低。	▶ 將電池放在室溫下緩慢升溫。
電池咬合時不會發出兩聲喀啦聲。	電池上的卡榫太髒。	▶ 清潔卡榫並重新安裝電池。
1個LED閃爍。 裝置無法工作。	電池電量不足。	▶ 更換電池，並對無電量的電池再次充電。
	該電池過熱或過冷。	▶ 將電池放在室溫下緩慢降溫或升溫。
4個LED均閃爍。 裝置無法工作。	機具已過載。	▶ 關閉機具後再開啟。然後讓機具在無負載的情況下運轉約30秒。
機具或電池變得很燙。	電力故障	▶ 立即將電動機具關閉，卸下電池，將機具置於可隨時觀察的位置，讓它靜置冷卻並聯絡Hilti維修中心。
機具無法產生全功率。	電池容量不足。	▶ 使用仍有適當容量的電池。
馬達沒有制動作用。	電池電量不足。	▶ 更換電池，並對無電量的電池再次充電。
	機具短暫過載。	▶ 關閉機具後再開啟。
機具強烈震動。	配件工具與機具不相容。	▶ 僅可使用符合技術資料中規格的配件工具。
	配件工具已受損、失準或不平衡。	▶ 限使用狀態良好無瑕疵的配件工具。
	設備故障	▶ 若可排除是配件工具造成，請與Hilti維修中心聯絡。

## 10 廢棄設備處置

Hilti機具或設備所採用的材料大部分均可回收再利用。材料在回收前必須正確地分類。在許多國家中，您可以將舊機具及設備送回Hilti進行回收。詳情請洽Hilti維修中心，或當地Hilti代理商。

### 電池處置

不當處理電池會造成有害健康之氣體或液體。

- ▶ 請勿以郵寄方式寄送電池！
- ▶ 將電池端子上不導電物質（例如絕緣膠帶）以避免短路。
- ▶ 請將電池棄置於兒童無法觸及的地方。
- ▶ 請將該電池送交Hilti Store處理，或參考所在地的垃圾處理管轄機構或公共健康與安全機關之處理說明。



- ▶ 請勿將機具、電子設備或電池當作一般家用廢棄物處理！

## 11 RoHS (有害物質限制指令)

按一下本連結可前往危險物質表：[qr.hilti.com/r11229136](http://qr.hilti.com/r11229136)。

您可在文件最後找到QR碼格式的RoHS表連結。

## 12 製造商保固

- ▶ 如果您對於保固條件有任何問題，請聯絡當地Hilti代理商。





# 原版操作说明

## 1 文档信息

### 1.1 关于该文档

- 首次操作或使用前，请阅读本文档。这是安全、无故障地操作和使用产品的前提条件。
- 请遵守本文档中以及产品上的安全说明和警告。
- 请务必将本操作说明与本产品保存在一起，确保将操作说明随产品一起交给他人。

### 1.2 使用符号的说明

#### 1.2.1 警告

警告是为了提醒您在处理或使用此产品时会发生的危险。使用以下信号词：



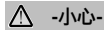
**危险！**

- ▶ 用于让人们能够注意到会导致严重身体伤害或致命的迫近危险。



**警告！**

- ▶ 用于提醒人们注意可能导致严重或致命伤害的潜在危险。



**小心！**

- ▶ 用于提醒人们注意可能导致轻微人身伤害、设备损坏或其他财产损失的潜在危险情形。

#### 1.2.2 文档中的符号

本文档中使用下列符号：



请在使用之前阅读操作说明。



使用说明和其他有用信息



处理可回收材料



不得将电气设备和电池作为生活垃圾处置

#### 1.2.3 图示中的符号

图示中使用了下列符号：



这些编号指本操作说明开始处的相应图示。



图示中的编号反映操作顺序，可能与文本中描述的步骤不同。



概览图示中使用了项目参考号，该参考号指的是产品概览部分中使用的编号。



这些符号旨在提醒您在操作本产品时要特别注意的某些要点。

## 1.3 取决于产品的符号

### 1.3.1 产品上的符号

产品使用的符号如下：



电动工具支持近场通信 (NFC) 技术，兼容于 iOS 和安卓平台。



	使用 Hilti 锂离子电池类型系列。请遵守 <b>预期用途</b> 一章中所述的信息。
Li-Ion	锂离子电池
	切勿将电池用作敲击工具。
	请勿让电池掉落。切勿使用受到撞击或有任何损坏的电池。
— —	直流电 (DC)
	戴上护目镜！
n	额定转速
/min	每分钟转数
RPM	每分钟转数
∅	直径

## 1.4 产品信息

产品经设计适用于专业用户，只有经过专门训练的授权人员才允许操作、维修和维护本产品。必须将任何可能的危险专门告知该人员。不按照既定用途使用或由未经培训的人员不正确地使用本产品及其辅助设备可能会带来危险。

型号名称和序列号印在铭牌上。

▶ 在下表中填写序列号。在联系 Hilti 维修中心或当地 Hilti 机构询问产品时，将要求您提供产品的详细信息。

### 产品信息

充电式模具磨机	GDG 6-A22
分代号	01
序列号	

## 1.5 符合性声明

按照我们单方面的责任，我们声明本产品符合下列适用指令和标准：一致性声明副本位于本文档结尾处。技术文档在此处归档：

Hilti Entwicklungsgesellschaft mbH | Tool Certification | Hiltistrasse 6 | 86916 Kaufering, Germany

## 2 安全

### 2.1 一般电动工具安全警告

**⚠ 警告** 请阅读本电动工具随附的所有安全警告、说明、图示和技术规范。不遵守下列所有操作说明可能会导致电击、火灾和/或严重人身伤害。

**请保存所有安全警告和操作说明，以供将来参考。**

在所有下列的警告中术语“电动工具”指市电驱动(有线)电动工具或电池驱动(无线)电动工具。

#### 工作区域安全

- ▶ 保持工作区域清洁和良好照明。杂乱和黑暗的区域容易导致事故。
- ▶ 不要在爆炸性环境中操作电动工具，例如有易燃液体、气体或灰尘。电动工具会产生可以点燃这些灰尘或烟雾的火花。
- ▶ 在操作电动工具时，要令儿童和旁观者远离工作现场。万一分心，可能会使您失去对电动工具的控制。

#### 电气安全

- ▶ 电动工具(设备)插头必须匹配电源插座。切勿以任何方式改动插头。对于接地的电动工具(设备)，不要使用任何适配器插头。使用未经改动的插头和匹配的电源插座可以大大减少电击危险。
- ▶ 避免人体接触接地表面，如管道、散热片和冰箱。如果您的身体接地，则会增加电击危险。
- ▶ 不要将电动工具暴露在雨水或潮湿环境中。电动工具进水将会增加电击危险。



- ▶ 不要滥用电缆。切勿使用电缆运送、拉动或拔出电动工具。保持电缆远离高温、油、锋利边缘或运动部件。电缆损坏或缠绕会增加电击危险。
- ▶ 当在户外操作电动工具时，应使用经认可适合户外操作的加长电缆。使用适合户外使用的电缆可减少电击危险。
- ▶ 如果在潮湿环境下操作电动工具是不可避免的，应使用剩余电流动作保护器 (RCD)。使用 RCD 可减小电击危险。

### 人身安全

- ▶ 保持警觉，注意您正在进行的工作，并在操作电动工具的过程中，应利用自己的判断能力。当您疲劳或受到药物、酒精或医疗影响时，请不要使用电动工具。当操作电动工具时，瞬间的分心都可能导致严重的人身伤害。
- ▶ 使用个人防护装备。一定要戴上护目装置。安全装置，诸如适当条件下使用防尘面具、防滑安全鞋、安全帽、听力防护等装置能减少人身伤害。
- ▶ 防止电动工具意外启动。在连接至电源和/或电池组、拿起或搬运电动工具之前，应确保开关处于“关闭”位置。将手指放在开关上搬运电动工具或在开关处于“打开”位置时接通电源，都可能会导致事故发生。
- ▶ 在打开电动工具之前，必须拿掉任何调整键或扳手。让扳手或调整键留在电动工具的旋转部件上可能会导致人身伤害。
- ▶ 不要操之过急。应时刻保持正确的站姿和平衡。这在意外情况下能够更好地控制电动工具。
- ▶ 应确保正确着装。不要穿着松垮的衣服或佩戴首饰。让头发和衣服远离运动部件。松垮的衣服、首饰或长发会卡在运动部件中。
- ▶ 如果提供有用于连接除尘和集尘设施的装置，应确保将它们连接好并正确使用。使用除尘装置可以减少与灰尘相关的危险。
- ▶ 经常使用工具能令您获得较高的熟练度，但不能因此掉以轻心和忽视工具安全准则。一次不慎操作就会在瞬间导致重伤。

### 电动工具的使用和维护

- ▶ 不要强制使用电动工具。针对您的应用场合使用正确的电动工具。正确的电动工具在其额定设计值范围内将能够更好和更安全地工作。
- ▶ 如果通过开关不能使其打开和关闭，则请不要使用电动工具。任何不能通过开关进行控制的电动工具都是危险的，必须对其进行修理。
- ▶ 在进行任何调整、更换配件或存放电动工具之前，应从电源上断开插头和/或从电动工具上拆下电池组 (若可拆卸)。此预防性安全措施可减少意外启动电动工具的危险。
- ▶ 将不用的电动工具存放在儿童拿不到的地方，并且不要让不熟悉电动工具或其操作说明的人员操作电动工具。未经培训的用户操作电动工具是危险的。
- ▶ 维护电动工具和配件。检查是否存在运动部件失调或卡滞、部件断裂和任何其它影响电动工具操作的情况。如果存在损坏，则在使用之前应修理电动工具。许多事故都是由于电动工具维护不良造成的。
- ▶ 保持切削工具锋利和清洁。带锋利切削刃的切削工具如果维护得当，很少会发生卡滞且更容易控制。
- ▶ 按照使用说明书，考虑作业条件和进行的作业来使用电动工具、附件和工具的刀头等。将电动工具用于指定用途以外的场合会导致危险。
- ▶ 使手柄和抓握面保持干燥、清洁且没有油脂。如果手柄和抓握面打滑，将无法在意外情况下安全操作或控制本工具。

### 无绳 (电池操作) 工具/设备的使用和维护

- ▶ 充电时只能使用制造商指定的充电器。适合某种类型电池组的充电器如果被用于为另一类型电池组充电，则可能会带来火灾危险。
- ▶ 只能使用专用电池组为电动工具供电。使用任何其它电池组可能会带来人身伤害和火灾。
- ▶ 当电池组不用时，应使其远离其它金属物体，例如纸夹、硬币、钥匙、钉子、螺钉或其它小的金属物体，以免造成短路。如果电池端子被短路，则会造成人员烧伤或火灾。
- ▶ 如果持续滥用电池，则可能会造成液体从电池中喷射出来；注意避免接触到液体。如果意外接触到液体，应用水冲洗。如果液体接触眼睛，除了用大量清水冲洗外，还应立即就医。从电池中喷射出来的液体会导致疼痛或灼伤。
- ▶ 不要使用损坏或改装过的电池组或工具。损坏或改装过的电池会造成不可预测的情形，导致火灾、爆炸或受伤风险。
- ▶ 不要将电池组或工具暴露在明火或过高的温度中。暴露在明火或超过 130 °C (265 °F) 温度中可能导致爆炸。
- ▶ 遵守所有充电说明，且不要在使用说明规定的温度范围之外对电池组或工具充电。充电不正确或在规定温度范围之外充电会损坏电池并增加火灾风险。

### 保养

- ▶ 将您的电动工具送交专业维修人员，使用同样的备件进行修理。这样才可确保维持电动工具 (设备) 的安全性。
- ▶ 切勿擅自维修损坏的电池组。仅可由制造商或授权服务提供商执行电池组的维修。



## 2.2 有关磨削、砂磨、钢丝刷光、抛光、雕刻或研磨切断操作的通用安全警告：

- ▶ 本电动工具设计用作磨削、砂磨、钢丝刷光、抛光、雕刻或切断工具。请阅读本电动工具随附的所有安全警告、说明、图示和技术规范。不遵守下列所有操作说明可能会导致电击、火灾和/或严重人身伤害。
- ▶ 不要使用并非由工具制造商专门设计和推荐的配件。因为即使这类配件可以安装在电动工具上，也不能确保安全操作。
- ▶ 磨削配件的额定转速必须至少等于电动工具上标记的最大转速。如果磨削配件旋转快于其额定转速，则可能会导致其断裂和飞离电动工具。
- ▶ 配件的外径和厚度必须在电动工具的额定能力范围内。尺寸不正确的配件不利于进行有效控制。
- ▶ 圆盘、砂鼓或任何其它配件的心轴孔尺寸必须与电动工具主轴或夹头正确匹配。与电动工具的安装硬件不匹配的配件将失去平衡、过度振动并且可能导致失控。
- ▶ 安装在心轴上的圆盘、砂鼓、刀具或其它配件必须完全插入夹头或卡盘。如果心轴未充分固定和/或圆盘悬伸过长，则安装的圆盘可能松动并高速弹出。
- ▶ 不得使用已损坏的配件。在每次使用前，应检查配件，例如检查磨盘是否破裂或有裂纹，砂鼓是否有裂纹、撕裂或过度磨损，以及钢丝刷是否松动或钢丝是否开裂。如果电动工具或配件掉落，则应检查其是否存在损坏或安装未损坏的配件。在检查并安装配件后，让自己和旁观者都远离配件旋转平面，并令电动工具在最大转速下空载运行一分钟。在此测试期间，已损坏的配件将会正常破裂。
- ▶ 穿戴个人防护装备。根据应用场合，使用防护面罩、护目镜或安全眼镜。必要时，穿戴防尘面具、护耳装置、防护手套和车间工作围裙（避免受到微小研磨或加工工件碎片的侵害）。护目装置必须在各种操作下都能够防止产生的飞离碎片伤害到眼睛。防尘面具或呼吸器必须能够过滤掉操作过程中产生的灰尘颗粒。长期处于高强度噪音下可能会导致听力丧失，因此在这种情况下必须佩戴护耳装置。
- ▶ 确保旁观者处于远离工作区域的安全位置。进入工作区域的任何人都必须穿戴个人防护装备。工件的碎片或损坏的配件可能会飞出，并可能对操作区域附近人员造成人身伤害。
- ▶ 当执行切削配件可能会接触到隐藏导线的操作时，应确保只能通过绝缘把手表面握住电动工具。如果切削配件接触“带电”导线，则会使电动工具的裸露金属部件“带电”，从而可能会电击到操作者。
- ▶ 在启动过程中，务必将工具牢牢握在手中。当电机加速到全速时，其反作用扭矩会导致工具扭转。
- ▶ 只要切实可行，可使用夹具支撑工件。在使用过程中，切勿一只手拿小工件，另一只手拿工具。夹紧一个小工件，使您可以用手来控制工具。定位销杆、管道或管等圆形材料在切割时有滚动倾向，因此可能会导致钻头卡住或跳起。
- ▶ 在配件完全停止之前，切勿放下电动工具。否则旋转配件可能会攫取放置表面，从而使电动工具失去控制。
- ▶ 在更换钻头或进行任何调整后，确保夹头螺母、夹头或任何其他调整装置已牢固拧紧。松动的调整装置可能会意外移位，从而导致失控、松动的旋转部件猛烈抛出。
- ▶ 随身携带电动工具时，不要运行电动工具。否则如果发生意外接触，旋转配件会抓取您的衣物，从而造成不必要的人身伤害。
- ▶ 定期清洁电动工具的通风口。电机风扇会吸附壳体内的灰尘，如果粉尘金属过度积聚，则可能会导致电气危险。
- ▶ 不要在易燃材料附近操作电动工具。否则产生的火花可能会引燃这些物质。
- ▶ 不要使用需要液态冷却剂的配件。使用水或其它液态冷却剂可能会导致电击或触电死亡。

### 反冲及相关警告

反冲是旋转中的圆盘、砂磨带、刷子或任何其它配件被压紧或受到阻碍时的突然反作用力。压紧或阻碍作用会导致旋转配件突然停止转动，这反过来会对电动工具产生作用力，导致电动工具沿着与配件旋转相反的方向发生不受控制的移动。

例如，当磨盘被加工工件阻挡或挤压住时，进入挤压点的磨盘边缘会掘进材料的表面，从而导致磨盘蹬动或弹出。磨盘可能会跳离或跳向操作者，这取决于磨盘在阻碍点处的运动方向。在这些情况下磨盘还可能会发生断裂。

电动工具使用不当和/或操作程序或条件不正确都可能会导致反冲，反冲可以通过采取以下预防措施加以避免。

- ▶ 保持牢牢握住电动工具，并将身体和手臂置于可方便对抗反冲力的位置。如果采取了适当的预防措施，则操作者完全可以控制住反冲力。
- ▶ 在拐角、锋利边缘等位置工作时应特别小心。避免使配件弹起和受到阻碍。拐角、锋利边缘或弹起都有可能会导致旋转配件受到阻碍，从而引起失控或产生反冲。
- ▶ 不要连接带齿的锯条。这类锯条容易引起频繁的反冲和失控。
- ▶ 务必将钻头以与切削刃退出材料相同的方向进入材料（与出屑的方向相同）。以错误方向进给刀具会导致钻头切削刃工作异常，并沿进给方向拉动刀具。
- ▶ 当使用旋转锉刀、切削盘、高速刀具或碳化钨刀具时，务必将工件夹紧。如果这些圆盘在凹槽中稍微倾斜，便会抓紧，并可能产生反冲。当切削盘抓紧时，圆盘本身通常会断裂。当旋转锉刀、高速刀具或碳化钨刀具抓紧时，便可能会从凹槽中跳出，从而可能导致刀具失控。



### 有关磨削和研磨切削操作的特定安全警告：

- ▶ 只能将圆盘类型用于建议的电动工具和建议的应用。例如：不得用切削盘的侧面进行磨削。研磨切削盘专门用于圆周磨削，如果对其施加侧向力，则可能会导致其发生损坏。
- ▶ 对于螺纹磨锥和螺纹塞，只能使用尺寸和长度正确且未松动肩部法兰的未损坏圆盘心轴。正确的心轴可以减少断裂的可能性。
- ▶ 注意不要“卡住”切削盘或对其施加过大的压力。切削深度不得过大。如果切削时对圆盘施加的压力过大，则会增加圆盘的负载，令其容易发生扭转或卡滞，并增加发生反冲或圆盘损坏的可能性。
- ▶ 不要使手与旋转的切断轮成一条直线或位于其后方。否则，如果在圆盘远离您手旋转的某个圆周点处发生反冲，则反冲力将会推动旋转圆盘和电动工具撞向您，从而可能造成伤害。
- ▶ 当圆盘压紧、卡滞或当出于某种原因中断切削时，应关闭电动工具并静止握住电动工具直到圆盘完全停止转动。当圆盘在运动时，切勿将切削盘移离加工件，否则可能会发生反冲。查找并采取正确的纠正措施消除引起圆盘压紧或卡滞的原因。
- ▶ 不得在切削盘处于加工件中时重新启动切削操作。让圆盘达到全速，然后小心地重新切入加工件。如果在圆盘处于加工件中时将电动工具重新启动，则圆盘可能会发生卡滞、跳动或产生反冲。
- ▶ 支撑住面板或任何尺寸过大的工件，以将切断轮受到阻碍和发生反冲的风险降至最低。大型加工件在其自身重量下有下垂的趋势。必须在切削线附近以及在圆盘两侧加工件边缘附近对加工件进行支撑。
- ▶ 对现有的墙壁或其它盲区加工“型腔切口”时应极度小心。伸出的圆盘可能会切到煤气管、水管、电线以及会引起反冲的物体。

### 有关钢丝刷光操作的特定安全警告：

- ▶ 即使在一般操作期间也要注意不要被刷子甩出的钢丝刚毛打到。不得对刷子施加过大负载，以免钢丝受力过大。钢丝刚毛容易刺入单薄衣物和/或皮肤。
- ▶ 在使用电刷之前，让电刷以运行速度运行至少一分钟。在这段时间，任何人都不得站在前方或与电刷成一条直线。在磨合期间，松脱的刚毛或钢丝将被排出。
- ▶ 务必远离放电时的旋转钢丝刷。在使用这些刷子的过程中，小颗粒和微小金属碎片可能会被高速排出，并可能会嵌入皮肤中。

## 2.3 电池的使用和维护

- ▶ 遵守与锂离子电池的运输、储存和使用相关的特殊规定和适用说明。
- ▶ 不要将电池暴露在高温、直射阳光或明火环境下。
- ▶ 请勿拆开、挤压或烧毁电池，不要让它们暴露于超过 80 °C 的高温下。
- ▶ 如果电池受到过物理冲击、从高处跌落过或表现出损坏迹象，则不得使用电池或为其充电。在这种情况下，请务必联系您的 **Hilti 维修中心**。
- ▶ 如果电池发热烫手，则可能有故障。在这种情况下，将产品放在不易燃的地方，远离易燃材料，一边观察电池情况，一边等待其冷却。在这种情况下，请务必联系您的 **Hilti 维修中心**。

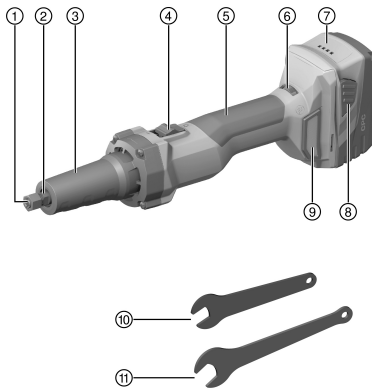
## 2.4 附加的安全说明

- ▶ 使用产品时，务必确保配套工具或工件的磨削灰尘、飞溅的火花和可能飞溅的碎片不会击中您。
- ▶ 更换配套工具时，只能使用正确且未损坏的扳手。
- ▶ 配套工具必须运转良好。切勿使用运转不良的配套工具。
- ▶ 当产品仍在运行时，不要试图移除切屑或材料碎片。将本产品关闭。
- ▶ 当且仅当电动工具位于待加工的工件位置，方可接通该工具。
- ▶ 更换配套工具时要戴防护手套，因为配套工具和夹头在使用过程中会发热。
- ▶ 工作间隙抽时间休息，放松舒展并活络手指，改善手指的血液循环状况。工作期间长时间暴露于振动环境中可能导致手指、手掌和手腕部位血管和神经系统紊乱。
- ▶ 确保工作场所通风良好，必要时佩戴适用于产生的灰尘类型的呼吸器。
- ▶ 在插入配套工具前，请清洁刀柄。确保配套工具的刀柄始终插入夹头至少 20 mm。插入配套工具后，务必将夹紧螺母牢固拧紧。配套工具不够牢固可能会使工件在操作过程中松动并飞离产品。
- ▶ 只能使用符合技术数据规范的配套工具。



### 3 说明

#### 3.1 产品概述



- ① 夹头夹紧螺母
- ② 主轴
- ③ 颈部 / 前把手
- ④ 可上锁的“打开/关闭”开关
- ⑤ 手柄
- ⑥ 转速调节旋钮
- ⑦ 电池
- ⑧ 电池释放按钮
- ⑨ 防尘过滤器
- ⑩ 小扳手, 12 mm
- ⑪ 大扳手, 17 mm

#### 3.2 预期用途

所述的产品是模具磨机。其为金属加工而设计。它设计用于磨削和磨削切割、钢丝刷清理、抛光和布线。只能使用刀柄直径适合安装在产品上的夹头的配套工具。符合技术数据中的信息。本产品仅适用于干式应用，无需用水冷却。

- 本产品仅可与 Hilti B 22 系列锂离子电池搭配使用。
- 此类电池仅限使用 Hilti 认可的充电器充电。更多信息可访问 [Hilti Store](#) 或 [www.hilti.group](http://www.hilti.group)

#### 3.3 供货清单

模具磨机, 2 个扳手, 操作说明

经批准可以与本产品搭配使用的其它系统产品, 可以在您当地的 [Hilti Store](#) 购买或访问 [www.hilti.group](http://www.hilti.group) 在线订购

#### 3.4 锂离子电池充电状态显示屏

按下两个电池释放按钮中的一个后, 显示锂离子电池的充电状态。

状态	含义
4 个 LED 亮起。	充电状态: 75% 至 100%
3 个 LED 亮起。	充电状态: 50% 至 75%
2 个 LED 亮起。	充电状态: 25% 至 50%
1 个 LED 亮起。	充电状态: 10% 至 25%
1 个 LED 闪烁。	充电状态: < 10%



当电动工具在使用时或在刚使用完之后, 不会指示充电状态。若电池充电状态 LED 闪烁, 请参考故障排除章节中的信息。

### 4 技术数据

符合 EPTA Procedure 01 要求的重量 (包括 B228.0 电池)	2.6 kg	
额定转速	10,000 rpm ... 25,000 rpm	
所需的最小转速, 配套工具	≥ 25,000 rpm	
工作直径, 配套工具	≤ 55 mm	
刀柄直径, 配套工具	夹头, 6 mm	6 mm
	夹头, 1/4 英寸	1/4 in



对边宽度, 主轴	12 mm
对边宽度, 夹紧螺母	17 mm
存放温度	-20 °C ... 70 °C
适合工作的环境温度	-17 °C ... 60 °C

#### 4.1 噪音信息和振动值按照 EN 62841 标准

这些说明中给出的声压和振动值按照标准化测试的要求测得，可用于比较一种电动工具与另一种电动工具。它们还可用于初步评价受振动影响的程度。

提供的数据代表本电动工具的主要应用。但是，如果将电动工具用于不同的应用、使用不同的配套工具或维护不良，则数据可能不同。这可能会显著增加操作者在整个工作期间受振动影响的程度。

对受振动影响程度的准确估计还应考虑当关闭电动工具或当它运行但实际未进行工作时的情况。这可能会显著减小操作者在整个工作期间受振动影响的程度。

此外，应确定附加安全措施，以保护操作者免受噪音和/或振动影响，例如：正确维护电动工具和配套工具、保持双手温暖、制订合理的工作计划等。

##### 噪音信息

排放声压级 ( $L_{pA}$ )	76 dB(A)
声压级的不确定性 ( $K_{pA}$ )	3 dB(A)
声功率级 ( $L_{WA}$ )	87 dB(A)
声功率级的不确定性 ( $K_{WA}$ )	3 dB(A)

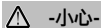
##### 振动信息

振动排放值 ( $a_n$ )，取决于配套工具的直径	< 25 mm	0.7 m/s <sup>2</sup>
	25 ... < 50 mm	15.9 m/s <sup>2</sup>
	50 ... 55 mm	22.2 m/s <sup>2</sup>
不确定性 (K)		1.5 m/s <sup>2</sup>

#### 4.2 电池

电池工作电压	21.6 V
工作环境温度	-17 °C ... 60 °C
存放温度	-20 °C ... 40 °C
电池充电起始温度	-10 °C ... 45 °C

## 5 工作现场的准备工作



-小心-

人身伤害的危险 意外启动会带来伤害风险！

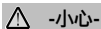
- ▶ 插入电池前，确保已关闭产品。
- ▶ 对电动工具执行任何调节或更换配件前，先取出电池。

请遵守本文档中以及产品上的安全说明和警告。

### 5.1 为电池充电

1. 为电池充电之前，请阅读充电器的操作说明。
2. 确保电池和充电器上的触点均清洁、干燥。
3. 使用认可的充电器为电池充电。

### 5.2 插入电池



-小心-

电池短路或跌落 有导致受伤的危险！

- ▶ 插入电池之前，确保产品上的触点以及设备上的触点均无异物。
- ▶ 确保电池接合正确。





1. 在首次使用电池之前，要给电池完全充电。
2. 将电池推入电池座中，直至听到它接合的“咔嚓”声。
3. 检查并确认电池已可靠就位。

### 5.3 拆卸电池

1. 按下电池释放按钮。
2. 将电池从工具中取出。

### 5.4 更换配套工具

#### 注意

**损坏风险** 如果在空夹头上拧紧夹紧螺母，则连接到夹头。

- ▶ 在夹头中没有插入配套工具的情况下，切勿拧紧夹紧螺母。

#### -小心-

**人身伤害和物品损坏的危险** 如果配套工具不正确或损坏。

- ▶ 请勿使用损坏的配套工具。开始工作前，检查模具磨机是否运转平稳，振动小。

1. 用小扳手握住夹头，然后用大扳手松开夹紧螺母。
2. 将配套工具拉出夹头。
3. 将配套工具的刀柄尽可能插入夹头。
4. 外露轴长度  $L_0$  不得超过 10 mm。配套工具的刀柄必须插入夹头至少 20 mm。
5. 用小扳手握住夹头，然后用大扳手拧紧夹紧螺母。
6. 检查并确保配套工具牢牢固定。

## 6 操作

请遵守本文档以及产品上的安全说明和警告。

### 6.1 打开

1. 按下“打开/关闭”开关的后部。
2. 向前滑动“打开/关闭”开关。
  - ▶ 电机运行。
3. 锁定“打开/关闭”开关。

### 6.2 工作类型

1. 打开工具。→ 页码 188
2. 通过转动速度调节旋钮，设定一个适合配套工具和计划用途的速度。
3. 只能使用配套工具的预期工作面。示例：切勿尝试使用研磨切削盘的扁平侧进行磨削。研磨切削盘的设计用途是使用其圆周边缘进行磨削。
4. 固定工件。切勿尝试一只手拿着小工件，另一只手拿着模具磨机。应始终用双手稳稳握住模具磨机上的把手。
5. 将模具磨机置于工件上。施加适度的压力，不要将配套工具按入材料。

### 6.3 关闭

- ▶ 按下“打开/关闭”开关的后部。
  - ▶ “打开/关闭”开关跳到关闭位置，电机停止。

## 7 维护和保养

#### -警告-

**插入电池时存在人身伤害危险！**

- ▶ 执行维护和保养任务之前，请务必先取出电池。





## 本工具的维护和保养

- 小心地清除顽固污渍。
- 使用干燥的刷子小心清洁通风孔。
- 请仅使用略湿的布清洁壳体。不要使用含硅清洁剂，否则可能腐蚀塑料件。

## 锂离子电池的保养

- 确保电池远离油和油脂。
- 请仅使用略湿的布清洁壳体。不要使用含硅清洁剂，否则可能腐蚀塑料件。
- 注意避免湿气侵入。

## 维护

- 定期检查所有可见部件和控制器是否出现损坏迹象，确保其全部正常工作。
- 如果发现损坏迹象或如果有部件发生故障，不要操作本产品。立即将产品交由 Hilti 维修中心修复。
- 清洁和维护之后，安装所有护板或保护装置，检查并确认其正常工作。

为确保安全和可靠的操作，仅限使用喜利得原装备件和消耗品。Hilti 批准用于配合产品使用的备件、消耗品和配件可到您当地的 **Hilti Store** 购买或通过以下网址在线订购：[www.hilti.group](http://www.hilti.group)。

## 7.1 更换夹紧螺母

### 注意

**损坏风险** 如果在空夹头上拧紧夹紧螺母，则连接到夹头。

- ▶ 在夹头中没有插入配套工具的情况下，切勿拧紧夹紧螺母。

1. 用小扳手握住主轴，然后用大扳手松开夹紧螺母。
2. 如果适用，将配套工具拉出夹头。
3. 从模具磨机上拧下夹紧螺母和夹头。
4. 将新夹紧螺母和夹头放在主轴上，接合螺纹并将夹紧螺母松动拧到主轴上。不要拧紧夹紧螺母。

## 8 运输和存放无绳工具

### 运输

#### -小心-

**运输途中的意外启动！**

- ▶ 运输产品前务必将电池取出！
- ▶ 拆下电池。
- ▶ 切勿松散、未加保护地运输大批量电池。
- ▶ 配套工具和电池经过长期运输后，在使用之前，检查其是否受损。

### 存放

#### -小心-

**电池故障或泄漏导致的意外损坏！**

- ▶ 存放产品前务必将电池取出！
- ▶ 将工具、配套工具和电池存放在尽量凉爽和干燥的地方。
- ▶ 切勿将电池存放在阳光直射位置、加热单元上或窗玻璃后。
- ▶ 将工具、配套工具和电池存放在儿童或非授权人员无法接近的干燥位置。
- ▶ 工具、配套工具和电池经过长期存放后，在使用之前，检查其是否受损。

## 9 故障排除

如果您遇到的问题未在该表中列出或您无法自行解决问题，请联系 **Hilti** 维修中心。

故障	可能原因	解决方案
电池比平常更快耗尽。	非常低的环境温度。	▶ 允许电池缓慢加热到室温。
电池未接合 (没有发出咔哒声)。	电池上的固定凸耳脏污。	▶ 清洁固定凸耳，然后重新安装电池。



故障	可能原因	解决方案
1 个 LED 闪烁。 设备不工作。	电池电量低。	▶ 更换电池，并对已放电电池充电。
	电池过热或过冷。	▶ 使电池缓慢冷却或变暖至室温。
4 个 LED 全部闪烁。 设备不工作。	工具已过载。	▶ 关闭电动工具然后再次打开。然后使电动工具空载运行约 30 秒。
电动工具或电池过热。	电气故障	▶ 立刻关闭电动工具，拆下电池，进行观察，使其冷却并联系 Hilti 维修中心。
电动工具不能达到全功率。	使用了一个容量不足的电池。	▶ 使用容量足够的电池。
电机没有制动作用。	电池电量低。	▶ 更换电池，并对已放电电池充电。
	电动工具短时间过载。	▶ 关闭电动工具然后再次打开。
电动工具剧烈振动。	配套工具与电动工具不兼容。	▶ 只能使用符合技术数据规范的配套工具。
	配套工具损坏、不正确或不平衡。	▶ 只能使用完好无损的配套工具。
	设备发生故障	▶ 如果可以排除配套工具的原因，请咨询 Hilti 维修中心。

## 10 废弃处置

大部分用于 Hilti 工具和设备生产的材料是可回收利用的。在可以回收之前，必须正确分离材料。在很多国家，您的旧工具、机器或设备可送至 Hilti 进行回收。敬请联系 Hilti 维修中心或 Hilti 代表获得更多信息。

### 电池处置

电池处置不当可能会造成漏气或漏液，最终导致健康危害。

- ▶ 不得通过邮寄方式发送电池！
- ▶ 用非导电材料（比如绝缘带）包住端子，以防止短路。
- ▶ 在儿童接触不到的地方处置电池。
- ▶ 请至 Hilti Store 处置电池，或咨询当地政府下属的垃圾处置或公共健康和机构，以获取处置说明。



- ▶ 不得将电动工具、电子设备或电池作为生活垃圾处置！

## 11 RoHS (有害物质限制)

单击链接跳转到有害物质表：[qr.hilti.com/r11229136](http://qr.hilti.com/r11229136)。

文档末尾以二维码形式提供指向 RoHS 表的链接。

## 12 制造商保修

- ▶ 如果您有保修条件方面的问题，请联系您当地的 Hilti 公司代表。



# EC Declaration of Conformity | UK Declaration of Conformity



**Manufacturer:**  
**Hilti Corporation**  
Feldkircherstraße 100  
9494 Schaan | Liechtenstein

**Importer:**  
**Hilti (Gt. Britain) Limited**  
1 Trafford Wharf Road, Old Trafford  
Manchester, M17 1BY

## GDG 6-A22 (01)

Serial Numbers: 1-9999999999

2006/42/EC | Supply of Machinery (Safety)  
Regulations 2008

EN 60745-1:2009 +  
A11:2010

EN 60745-2-23:2013

2014/30/EU | Electromagnetic Compatibility  
Regulations 2016

EN 55014-1:2017 +  
A11:2020

EN 55014-2:2015

2011/65/EU | The Restriction of the Use of  
Certain Hazardous Substances in Electrical and  
Electronic Equipment Regulations 2012

Schaan, 06.07.2021

**Dr. Tahar Zrilli**  
Head of Quality and Process Management  
Business Area Electric Tools & Accessories

**Tassilo Deinzer**  
Executive Vice President  
Business Unit Power Tools & Accessories

ROHS





Hilti Corporation  
LI-9494 Schaan  
Tel.:+423 234 21 11  
Fax:+423 234 29 65  
[www.hilti.group](http://www.hilti.group)



2277410