

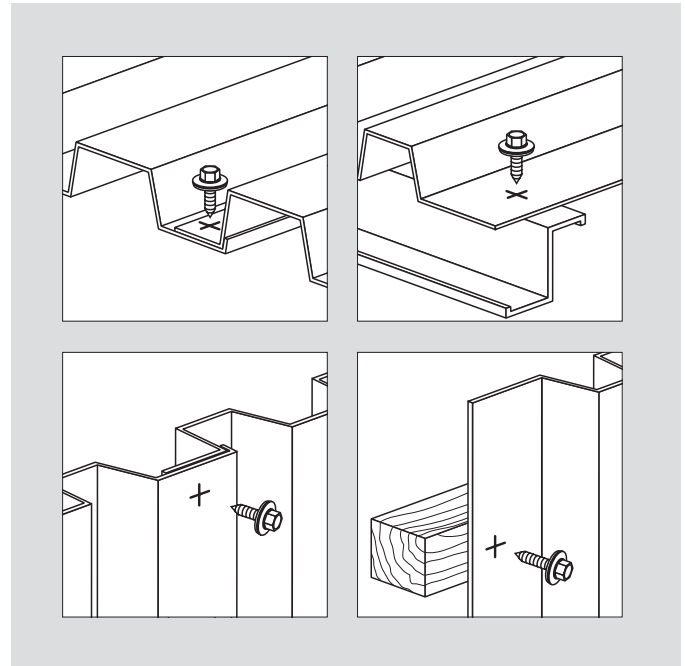
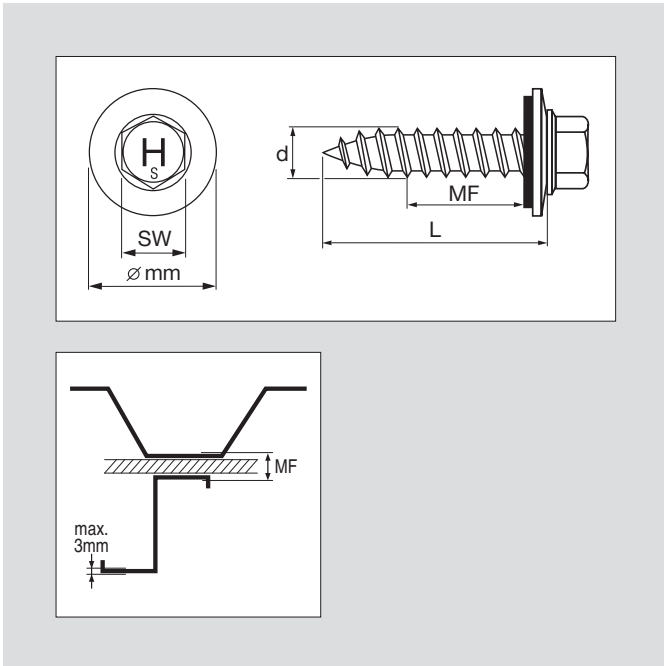
Content

			Seite
10.1			
	Stainless steel self-tapping screws (Ø16 mm)	S-MP 53 S	97
10.2			
	Stainless steel self-tapping screws (Ø19 mm)	S-MP 63 S	98
10.3			
	Stainless steel self-tapping screws (Ø22 mm)	S-MP 73 S	99
10.4			
	Stainless steel self-tapping screws (Ø16 mm)	S-MP 52 S	100
10.5			
	Stainless steel self-tapping screws (Ø19 mm)	S-MP 62 S	101
10.6			
	Stainless steel self-tapping screws (Ø22 mm)	S-MP 72 S	102
10.7			
	Stainless steel self-tapping screws (Ø16 mm)	S-MP 54 S	103
10.8			
	Stainless steel self-tapping screws (Ø19 mm)	S-MP 64 S	104
10.9			
	Stainless steel self-tapping screws (Ø22 mm)	S-MP 74 S	105



10.1 Stainless steel self-tapping screws (Ø16 mm) S-MP 53 S

The universal self-tapping screw for thin materials and wood



Ordering description	Minimum thickness of base material	Thickness fastened range (MF) steel	Screw diameter (d)	Screw length (L)	Washer size	EPDM-thickness	Screw drive/recess type	Sales quantity	Item number
Self-tapping screw S-MP53S 6,5x19		1.2 - 8 mm	6.5 mm	19 mm	16 mm	2 mm	Hexagon 3/8	500 pc	80448
Self-tapping screw S-MP53S 6,5x25		1.2 - 14 mm	6.5 mm	25 mm	16 mm	2 mm	Hexagon 3/8	500 pc	80362
Self-tapping screw S-MP53S 6,5x32		1.2 - 21 mm	6.5 mm	32 mm	16 mm	2 mm	Hexagon 3/8	250 pc	80450
Self-tapping screw S-MP53S 6,5x38	wood, 26 mm	1.2 - 27 mm	6.5 mm	38 mm	16 mm	2 mm	Hexagon 3/8	250 pc	80451
Self-tapping screw S-MP53S 6,5x50	wood, 26 mm	1.2 - 39 mm	6.5 mm	50 mm	16 mm	2 mm	Hexagon 3/8	250 pc	80337
Self-tapping screw S-MP53S 6,5x63	wood, 26 mm	1.2 - 52 mm	6.5 mm	63 mm	16 mm	2 mm	Hexagon 3/8	100 pc	85332
Self-tapping screw S-MP53S 6,5x75	wood, 26 mm	1.2 - 64 mm	6.5 mm	75 mm	16 mm	2 mm	Hexagon 3/8	100 pc	224558
Self-tapping screw S-MP53S 6,5x88	wood, 26 mm	1.2 - 77 mm	6.5 mm	88 mm	16 mm	2 mm	Hexagon 3/8	100 pc	85334
Self-tapping screw S-MP53S 6,5x100	wood, 26 mm	1.2 - 89 mm	6.5 mm	100 mm	16 mm	2 mm	Hexagon 3/8	100 pc	85335
Self-tapping screw S-MP53S 6,5x125	wood, 26 mm	1.2 - 114 mm	6.5 mm	125 mm	16 mm	2 mm	Hexagon 3/8	100 pc	219093
Self-tapping screw S-MP53S 6,5x150	wood, 26 mm	1.2 - 139 mm	6.5 mm	150 mm	16 mm	2 mm	Hexagon 3/8	100 pc	219094
Self-tapping screw S-MP53S 6,5x175	wood, 26 mm	1.2 - 164 mm	6.5 mm	175 mm	16 mm	2 mm	Hexagon 3/8	100 pc	224559

Reference: max steel thickness 3 mm

Recommended pre-drill diameter for t_i

t _i /mm (Steel)	0.5 - 0.63	0.7 - 0.75	0.8 - 1.3	1.4 - 3.0
Pre-drill-Ø	3.5 mm	4.0 mm	4.5 mm	5.0 mm

Pre-drill-Ø Wood: 4.5 mm

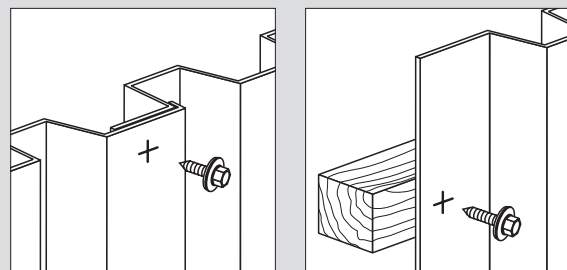
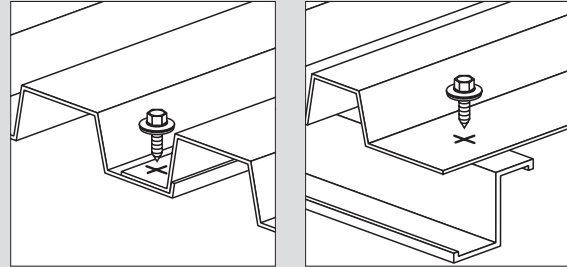
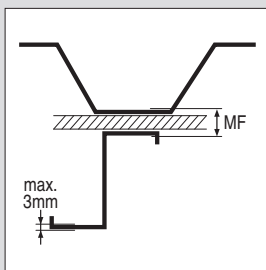
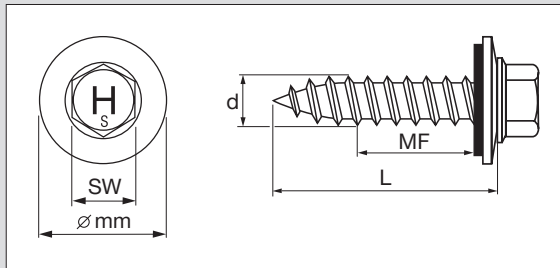
Reference:

- More Information see approval ETA-10/0182 (Chapter 16)

10.2 Stainless steel self-tapping screws (Ø19 mm) S-MP 63 S



The universal self-tapping screw for thin materials and wood



Ordering description	Minimum thickness of base material	Thickness fastened range (MF) steel	Screw diameter (d)	Screw length (L)	Washer size	EPDM-thickness	Screw drive/recess type	Sales quantity	Item number
Self-tapping screw S-MP63S 6,5x19		1.2 - 8 mm	6.5 mm	19 mm	19 mm	2 mm	Hexagon 3/8	500 pc	285217
Self-tapping screw S-MP63S 6,5x25		1.2 - 14 mm	6.5 mm	25 mm	19 mm	2 mm	Hexagon 3/8	500 pc	285218
Self-tapping screw S-MP63S 6,5x32		1.2 - 21 mm	6.5 mm	32 mm	19 mm	2 mm	Hexagon 3/8	250 pc	285219
Self-tapping screw S-MP63S 6,5x38	wood, 26 mm	1.2 - 27 mm	6.5 mm	38 mm	19 mm	2 mm	Hexagon 3/8	250 pc	285220
Self-tapping screw S-MP63S 6,5x50	wood, 26 mm	1.2 - 39 mm	6.5 mm	50 mm	19 mm	2 mm	Hexagon 3/8	250 pc	285221
Self-tapping screw S-MP63S 6,5x63	wood, 26 mm	1.2 - 52 mm	6.5 mm	63 mm	19 mm	2 mm	Hexagon 3/8	100 pc	285222
Self-tapping screw S-MP63S 6,5x75	wood, 26 mm	1.2 - 64 mm	6.5 mm	75 mm	19 mm	2 mm	Hexagon 3/8	100 pc	285223
Self-tapping screw S-MP63S 6,5x88	wood, 26 mm	1.2 - 77 mm	6.5 mm	88 mm	19 mm	2 mm	Hexagon 3/8	100 pc	285224
Self-tapping screw S-MP63S 6,5x100	wood, 26 mm	1.2 - 89 mm	6.5 mm	100 mm	19 mm	2 mm	Hexagon 3/8	100 pc	285225
Self-tapping screw S-MP63S 6,5x125	wood, 26 mm	1.2 - 114 mm	6.5 mm	125 mm	19 mm	2 mm	Hexagon 3/8	100 pc	285226
Self-tapping screw S-MP63S 6,5x150	wood, 26 mm	1.2 - 139 mm	6.5 mm	150 mm	19 mm	2 mm	Hexagon 3/8	100 pc	285227
Self-tapping screw S-MP63S 6,5x175	wood, 26 mm	1.2 - 164 mm	6.5 mm	175 mm	19 mm	2 mm	Hexagon 3/8	100 pc	285228

Reference: max steel thickness 3 mm

Recommended pre-drill diameter for t_{II}

t_{II} /mm (Steel)	0.5 - 0.63	0.7 - 0.75	0.8 - 1.3	1.4 - 3.0
Pre-drill-Ø	3.5 mm	4.0 mm	4.5 mm	5.0 mm

Pre-drill-Ø Wood: 4.5 mm

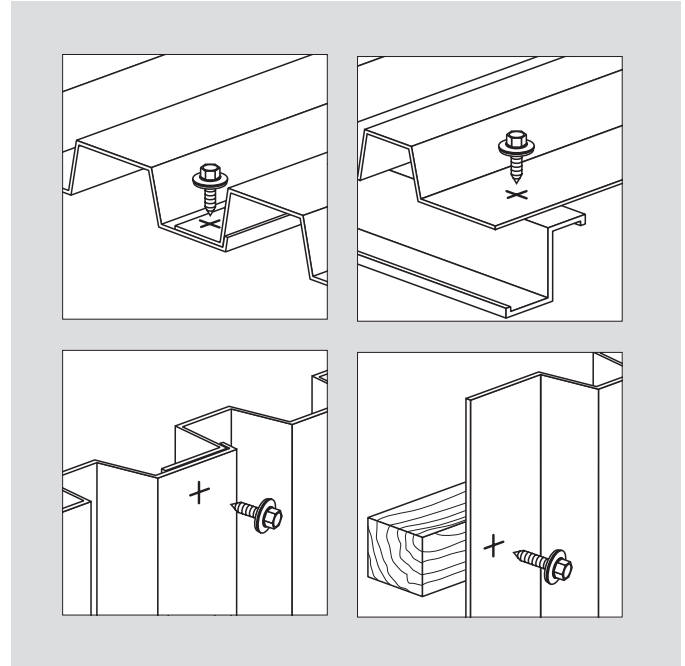
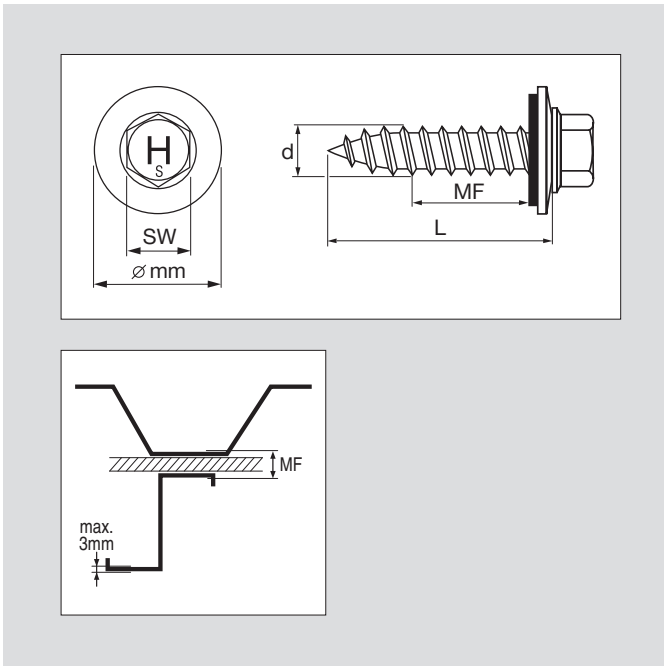
Reference:

- More Information see approval ETA-10/0182 (Chapter 16)



10.3 Stainless steel self-tapping screws (Ø22 mm) S-MP 73 S

The universal self-tapping screw for thin materials and wood



Ordering description	Minimum thickness of base material	Thickness fastened range (MF) steel	Screw diameter (d)	Screw length (L)	Washer size	EPDM-thickness	Screw drive/recess type	Sales quantity	Item number
Self-tapping screw S-MP73S 6,5x19		1.2 - 8 mm	6.5 mm	19 mm	22 mm	2 mm	Hexagon 3/8	500 pc	285205
Self-tapping screw S-MP73S 6,5x25		1.2 - 14 mm	6.5 mm	25 mm	22 mm	2 mm	Hexagon 3/8	500 pc	285206
Self-tapping screw S-MP73S 6,5x32		1.2 - 21 mm	6.5 mm	32 mm	22 mm	2 mm	Hexagon 3/8	250 pc	285207
Self-tapping screw S-MP73S 6,5x38	wood, 26 mm	1.2 - 27 mm	6.5 mm	38 mm	22 mm	2 mm	Hexagon 3/8	250 pc	285208
Self-tapping screw S-MP73S 6,5x50	wood, 26 mm	1.2 - 39 mm	6.5 mm	50 mm	22 mm	2 mm	Hexagon 3/8	250 pc	285209
Self-tapping screw S-MP73S 6,5x63	wood, 26 mm	1.2 - 52 mm	6.5 mm	63 mm	22 mm	2 mm	Hexagon 3/8	100 pc	285210
Self-tapping screw S-MP73S 6,5x75	wood, 26 mm	1.2 - 64 mm	6.5 mm	75 mm	22 mm	2 mm	Hexagon 3/8	100 pc	285211
Self-tapping screw S-MP73S 6,5x88	wood, 26 mm	1.2 - 77 mm	6.5 mm	88 mm	22 mm	2 mm	Hexagon 3/8	100 pc	285212
Self-tapping screw S-MP73S 6,5x100	wood, 26 mm	1.2 - 89 mm	6.5 mm	100 mm	22 mm	2 mm	Hexagon 3/8	100 pc	285213
Self-tapping screw S-MP73S 6,5x125	wood, 26 mm	1.2 - 114 mm	6.5 mm	125 mm	22 mm	2 mm	Hexagon 3/8	100 pc	285214
Self-tapping screw S-MP73S 6,5x150	wood, 26 mm	1.2 - 139 mm	6.5 mm	150 mm	22 mm	2 mm	Hexagon 3/8	100 pc	285215
Self-tapping screw S-MP73S 6,5x175	wood, 26 mm	1.2 - 164 mm	6.5 mm	175 mm	22 mm	2 mm	Hexagon 3/8	100 pc	285216

Reference: max steel thickness 3 mm

Recommended pre-drill diameter for t_p

t _p /mm (Steel)	0.5 - 0.63	0.7 - 0.75	0.8 - 1.3	1.4 - 3.0
Pre-drill-Ø	3.5 mm	4.0 mm	4.5 mm	5.0 mm

Pre-drill-Ø Wood: 4.5 mm

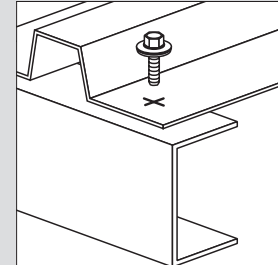
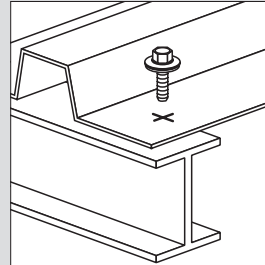
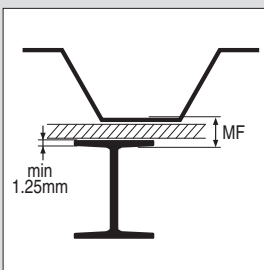
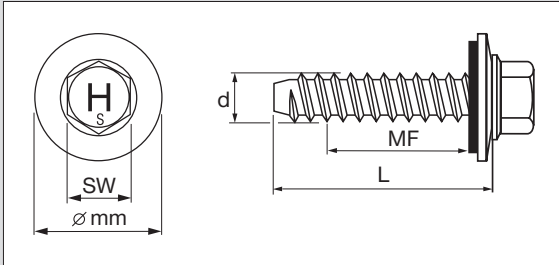
Reference:

- More Information see approval ETA-10/0182 (Chapter 16)

10.4 Stainless steel self-tapping screws (Ø16 mm) S-MP 52 S



The universal self-tapping screw for thick base materials



Ordering description	Minimum thickness of base material	Thickness fastened range (MF) steel	Screw diameter (d)	Screw length (L)	Washer size	EPDM-thickness	Screw drive/recess type	Sales quantity	Item number
Self-tapping screw S-MP52S 6,3x22	Steel, 1.25 mm	1.9 - 9 mm	6.3 mm	22 mm	16 mm	2 mm	Hexagon 8	500 pc	2065045
Self-tapping screw S-MP52S 6,3x25	Steel, 1.25 mm	1.9 - 12 mm	6.3 mm	25 mm	16 mm	2 mm	Hexagon 8	500 pc	2065046
Self-tapping screw S-MP52S 6,3x32	Steel, 1.25 mm	1.9 - 19 mm	6.3 mm	32 mm	16 mm	2 mm	Hexagon 8	250 pc	2065047
Self-tapping screw S-MP52S 6,3x38	Steel, 1.25 mm	1.9 - 25 mm	6.3 mm	38 mm	16 mm	2 mm	Hexagon 8	250 pc	2065048
Self-tapping screw S-MP52S 6,3x50	Steel, 1.25 mm	1.9 - 37 mm	6.3 mm	50 mm	16 mm	2 mm	Hexagon 8	250 pc	2065049
Self-tapping screw S-MP52S 6,3x63	Steel, 1.25 mm	1.9 - 50 mm	6.3 mm	63 mm	16 mm	2 mm	Hexagon 8	100 pc	2065110
Self-tapping screw S-MP52S 6,3x75	Steel, 1.25 mm	1.9 - 62 mm	6.3 mm	75 mm	16 mm	2 mm	Hexagon 8	100 pc	2065111
Self-tapping screw S-MP52S 6,3x88	Steel, 1.25 mm	1.9 - 75 mm	6.3 mm	88 mm	16 mm	2 mm	Hexagon 8	100 pc	2065112
Self-tapping screw S-MP52S 6,3x100	Steel, 1.25 mm	1.9 - 87 mm	6.3 mm	100 mm	16 mm	2 mm	Hexagon 8	100 pc	2065113
Self-tapping screw S-MP52S 6,3x125	Steel, 1.25 mm	1.9 - 112 mm	6.3 mm	125 mm	16 mm	2 mm	Hexagon 8	100 pc	2065114
Self-tapping screw S-MP52S 6,3x150	Steel, 1.25 mm	1.9 - 138 mm	6.3 mm	150 mm	16 mm	2 mm	Hexagon 8	100 pc	2065115
Self-tapping screw S-MP52S 6,3x175	Steel, 1.25 mm	1.9 - 162 mm	6.3 mm	175 mm	16 mm	2 mm	Hexagon 8	100 pc	2065116
Self-tapping screw S-MP52S 6,3x200	Steel, 1.25 mm	1.9 - 187 mm	6.3 mm	200 mm	16 mm	2 mm	Hexagon 8	100 pc	2065117
Self-tapping screw S-MP52S 6,3x225	Steel, 1.25 mm	1.9 - 212 mm	6.3 mm	225 mm	16 mm	2 mm	Hexagon 8	100 pc	2065118
Self-tapping screw S-MP52S 6,3x250	Steel, 1.25 mm	1.9 - 237 mm	6.3 mm	250 mm	16 mm	2 mm	Hexagon 8	100 pc	2065119
Self-tapping screw S-MP52S 6,3x275	Steel, 1.25 mm	1.9 - 262 mm	6.3 mm	275 mm	16 mm	2 mm	Hexagon 8	100 pc	2065120

Reference: max steel thickness 12 mm, 6 mm steel incl. in MF

Recommended pre-drill diameter for t_b

t_b /mm (Steel)	1.25 - 1.5	1.6 - 4.0	4.1 - 6.9	≥ 7.0
Pre-drill-Ø	5.0 mm	5.3 mm	5.5 mm	5.7 mm

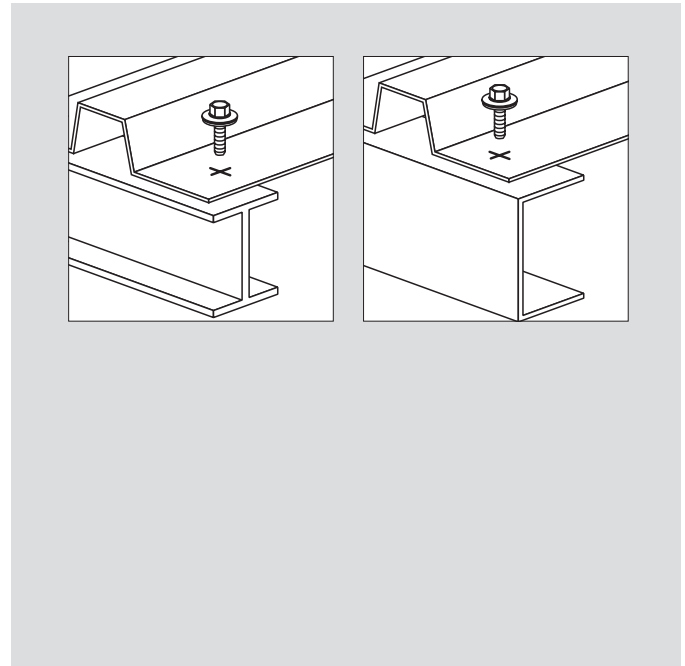
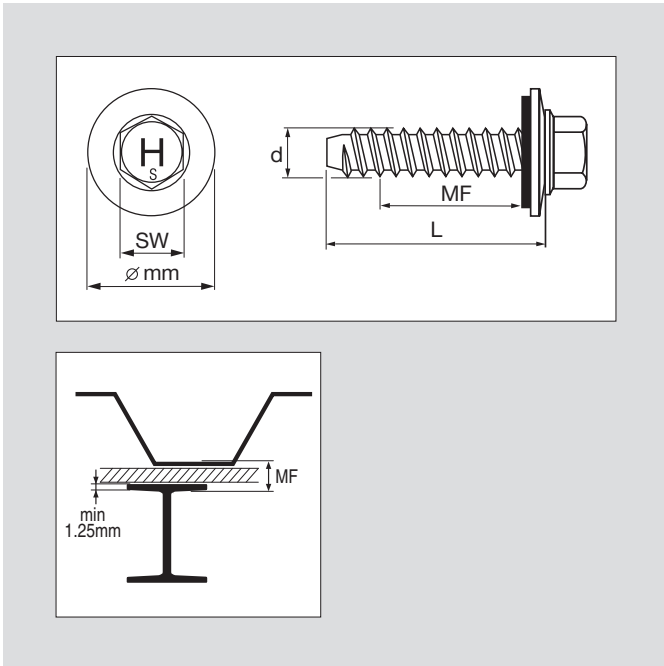
Reference:

- More Information see approval ETA-10/0182 (Chapter 16)



10.5 Stainless steel self-tapping screws (Ø19 mm) S-MP 62 S

The universal self-tapping screw for thick base materials



Ordering description	Minimum thickness of base material	Thickness fastened range (MF) steel	Screw diameter (d)	Screw length (L)	Washer size	EPDM-thickness	Screw drive/recess type	Sales quantity	Item number
Self-tapping screw S-MP62S 6,3x22	Steel, 1,25 mm	1,9 - 9 mm	6,3 mm	22 mm	19 mm	2 mm	Hexagon 8	500 pc	2065121
Self-tapping screw S-MP62S 6,3x25	Steel, 1,25 mm	1,9 - 12 mm	6,3 mm	25 mm	19 mm	2 mm	Hexagon 8	500 pc	2065122
Self-tapping screw S-MP62S 6,3x32	Steel, 1,25 mm	1,9 - 19 mm	6,3 mm	32 mm	19 mm	2 mm	Hexagon 8	250 pc	2065123
Self-tapping screw S-MP62S 6,3x38	Steel, 1,25 mm	1,9 - 25 mm	6,3 mm	38 mm	19 mm	2 mm	Hexagon 8	250 pc	2065124
Self-tapping screw S-MP62S 6,3x50	Steel, 1,25 mm	1,9 - 37 mm	6,3 mm	50 mm	19 mm	2 mm	Hexagon 8	250 pc	2065125
Self-tapping screw S-MP62S 6,3x63	Steel, 1,25 mm	1,9 - 50 mm	6,3 mm	63 mm	19 mm	2 mm	Hexagon 8	100 pc	2065126
Self-tapping screw S-MP62S 6,3x75	Steel, 1,25 mm	1,9 - 62 mm	6,3 mm	75 mm	19 mm	2 mm	Hexagon 8	100 pc	2065127
Self-tapping screw S-MP62S 6,3x88	Steel, 1,25 mm	1,9 - 75 mm	6,3 mm	88 mm	19 mm	2 mm	Hexagon 8	100 pc	2065128
Self-tapping screw S-MP62S 6,3x100	Steel, 1,25 mm	1,9 - 87 mm	6,3 mm	100 mm	19 mm	2 mm	Hexagon 8	100 pc	2065129
Self-tapping screw S-MP62S 6,3x125	Steel, 1,25 mm	1,9 - 112 mm	6,3 mm	125 mm	19 mm	2 mm	Hexagon 8	100 pc	2065130
Self-tapping screw S-MP62S 6,3x150	Steel, 1,25 mm	1,9 - 138 mm	6,3 mm	150 mm	19 mm	2 mm	Hexagon 8	100 pc	2065131
Self-tapping screw S-MP62S 6,3x175	Steel, 1,25 mm	1,9 - 162 mm	6,3 mm	175 mm	19 mm	2 mm	Hexagon 8	100 pc	2065132
Self-tapping screw S-MP62S 6,3x200	Steel, 1,25 mm	1,9 - 187 mm	6,3 mm	200 mm	19 mm	2 mm	Hexagon 8	100 pc	2065133
Self-tapping screw S-MP62S 6,3x225	Steel, 1,25 mm	1,9 - 212 mm	6,3 mm	225 mm	19 mm	2 mm	Hexagon 8	100 pc	2065134
Self-tapping screw S-MP62S 6,3x250	Steel, 1,25 mm	1,9 - 237 mm	6,3 mm	250 mm	19 mm	2 mm	Hexagon 8	100 pc	2065136
Self-tapping screw S-MP62S 6,3x275	Steel, 1,25 mm	1,9 - 262 mm	6,3 mm	275 mm	19 mm	2 mm	Hexagon 8	100 pc	2065137

Reference: max steel thickness 12 mm, 6 mm steel incl. in MF

Recommended pre-drill diameter for t_p

t _p /mm (Steel)	1.25 - 1.5	1.6 - 4.0	4.1 - 6.9	≥ 7.0
Pre-drill-Ø	5.0 mm	5.3 mm	5.5 mm	5.7 mm

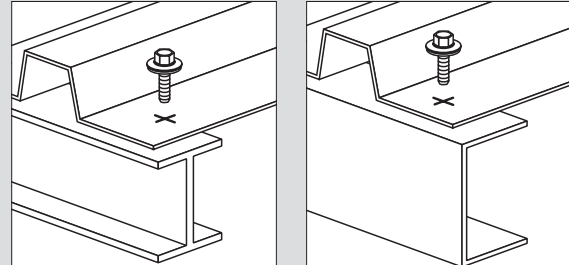
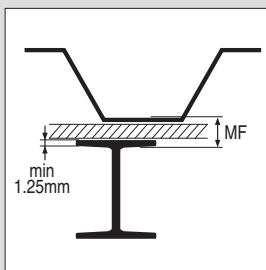
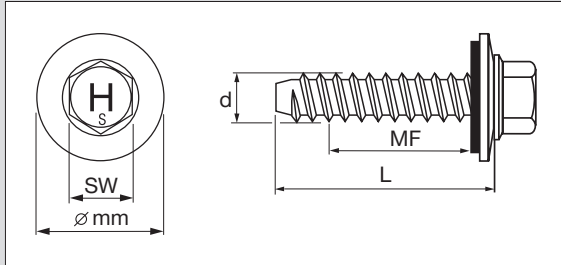
Reference:

- More Information see approval ETA-10/0182 (Chapter 16)

10.6 Stainless steel self-tapping screws (Ø22 mm) S-MP 72 S



The universal self-tapping screw for thick base materials



Ordering description	Minimum thickness of base material	Thickness fastened range (MF) steel	Screw diameter (d)	Screw length (L)	Washer size	EPDM-thickness	Screw drive/recess type	Sales quantity	Item number
Self-tapping screw S-MP72S 6,3x22	Steel, 1.25 mm	1.9 - 9 mm	6.3 mm	22 mm	22 mm	2 mm	Hexagon 8	500 pc	2065138
Self-tapping screw S-MP72S 6,3x25	Steel, 1.25 mm	1.9 - 12 mm	6.3 mm	25 mm	22 mm	2 mm	Hexagon 8	100 pc	2065139
Self-tapping screw S-MP72S 6,3x32	Steel, 1.25 mm	1.9 - 19 mm	6.3 mm	32 mm	22 mm	2 mm	Hexagon 8	250 pc	2065140
Self-tapping screw S-MP72S 6,3x38	Steel, 1.25 mm	1.9 - 25 mm	6.3 mm	38 mm	22 mm	2 mm	Hexagon 8	250 pc	2065141
Self-tapping screw S-MP72S 6,3x50	Steel, 1.25 mm	1.9 - 37 mm	6.3 mm	50 mm	22 mm	2 mm	Hexagon 8	250 pc	2065142
Self-tapping screw S-MP72S 6,3x63	Steel, 1.25 mm	1.9 - 50 mm	6.3 mm	63 mm	22 mm	2 mm	Hexagon 8	100 pc	2065143
Self-tapping screw S-MP72S 6,3x75	Steel, 1.25 mm	1.9 - 62 mm	6.3 mm	75 mm	22 mm	2 mm	Hexagon 8	100 pc	2065144
Self-tapping screw S-MP72S 6,3x88	Steel, 1.25 mm	1.9 - 75 mm	6.3 mm	88 mm	22 mm	2 mm	Hexagon 8	100 pc	2065145
Self-tapping screw S-MP72S 6,3x100	Steel, 1.25 mm	1.9 - 87 mm	6.3 mm	100 mm	22 mm	2 mm	Hexagon 8	100 pc	2065146
Self-tapping screw S-MP72S 6,3x125	Steel, 1.25 mm	1.9 - 112 mm	6.3 mm	125 mm	22 mm	2 mm	Hexagon 8	100 pc	2065147
Self-tapping screw S-MP72S 6,3x150	Steel, 1.25 mm	1.9 - 138 mm	6.3 mm	150 mm	22 mm	2 mm	Hexagon 8	100 pc	2065148
Self-tapping screw S-MP72S 6,3x175	Steel, 1.25 mm	1.9 - 162 mm	6.3 mm	175 mm	22 mm	2 mm	Hexagon 8	100 pc	2065149
Self-tapping screw S-MP72S 6,3x200	Steel, 1.25 mm	1.9 - 187 mm	6.3 mm	200 mm	22 mm	2 mm	Hexagon 8	100 pc	2065150
Self-tapping screw S-MP72S 6,3x225	Steel, 1.25 mm	1.9 - 212 mm	6.3 mm	225 mm	22 mm	2 mm	Hexagon 8	100 pc	2065151
Self-tapping screw S-MP72S 6,3x250	Steel, 1.25 mm	1.9 - 237 mm	6.3 mm	250 mm	22 mm	2 mm	Hexagon 8	100 pc	2065152
Self-tapping screw S-MP72S 6,3x275	Steel, 1.25 mm	1.9 - 262 mm	6.3 mm	275 mm	22 mm	2 mm	Hexagon 8	100 pc	2065153

Reference: max steel thickness 12 mm, 6 mm steel incl. in MF

Recommended pre-drill diameter for t_{II}

t_{II} /mm (Steel)	1.25 - 1.5	1.6 - 4.0	4.1 - 6.9	≥ 7.0
Pre-drill-Ø	5.0 mm	5.3 mm	5.5 mm	5.7 mm

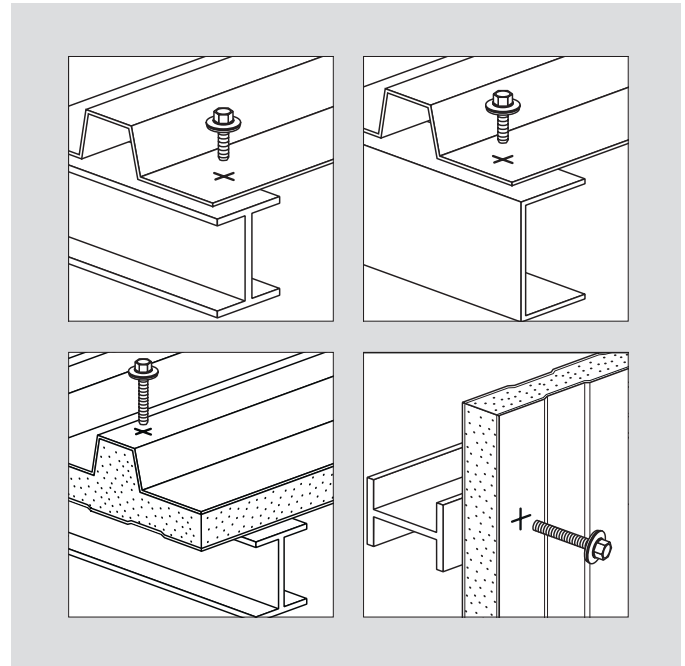
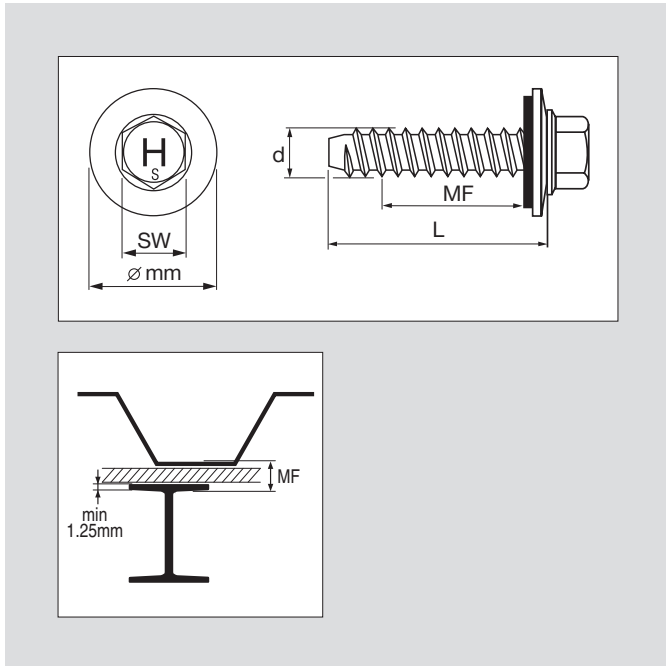
Reference:

- More Information see approval ETA-10/0182 (Chapter 16)



10.7 Stainless steel self-tapping screws (Ø16 mm) S-MP 54 S

The universal self-tapping screw for thick base materials



Ordering description	Minimum thickness of base material	Thickness fastened range (MF) steel	Screw diameter (d)	Screw length (L)	Washer size	EPDM-thickness	Screw drive/recess type	Sales quantity	Item number
Self-tapping screw S-MP54S 6,3x22	Steel, 1,25 mm	1,9 - 9 mm	6,3 mm	22 mm	16 mm	2 mm	Hexagon 8	500 pc	244214
Self-tapping screw S-MP54S 6,3x25	Steel, 1,25 mm	1,9 - 12 mm	6,3 mm	25 mm	16 mm	2 mm	Hexagon 8	100 pc	283199
Self-tapping screw S-MP54S 6,3x32	Steel, 1,25 mm	1,9 - 19 mm	6,3 mm	32 mm	16 mm	2 mm	Hexagon 8	250 pc	283200
Self-tapping screw S-MP54S 6,3x38	Steel, 1,25 mm	1,9 - 25 mm	6,3 mm	38 mm	16 mm	2 mm	Hexagon 8	250 pc	283201
Self-tapping screw S-MP54S 6,3x50	Steel, 1,25 mm	1,9 - 37 mm	6,3 mm	50 mm	16 mm	2 mm	Hexagon 8	250 pc	283202
Self-tapping screw S-MP54S 6,3x63	Steel, 1,25 mm	1,9 - 50 mm	6,3 mm	63 mm	16 mm	2 mm	Hexagon 8	100 pc	283203
Self-tapping screw S-MP54S 6,3x75	Steel, 1,25 mm	1,9 - 62 mm	6,3 mm	75 mm	16 mm	2 mm	Hexagon 8	100 pc	283204
Self-tapping screw S-MP54S 6,3x88	Steel, 1,25 mm	1,9 - 75 mm	6,3 mm	88 mm	16 mm	2 mm	Hexagon 8	100 pc	283205
Self-tapping screw S-MP54S 6,3x100	Steel, 1,25 mm	1,9 - 87 mm	6,3 mm	100 mm	16 mm	2 mm	Hexagon 8	100 pc	283206
Self-tapping screw S-MP54S 6,3x125	Steel, 1,25 mm	1,9 - 112 mm	6,3 mm	125 mm	16 mm	2 mm	Hexagon 8	100 pc	283341
Self-tapping screw S-MP54S 6,3x150	Steel, 1,25 mm	1,9 - 138 mm	6,3 mm	150 mm	16 mm	2 mm	Hexagon 8	100 pc	283536
Self-tapping screw S-MP54S 6,3x175	Steel, 1,25 mm	1,9 - 162 mm	6,3 mm	175 mm	16 mm	2 mm	Hexagon 8	100 pc	283537
Self-tapping screw S-MP54S 6,3x200	Steel, 1,25 mm	1,9 - 187 mm	6,3 mm	200 mm	16 mm	2 mm	Hexagon 8	100 pc	403179
Self-tapping screw S-MP54S 6,3x225	Steel, 1,25 mm	1,9 - 212 mm	6,3 mm	225 mm	16 mm	2 mm	Hexagon 8	100 pc	403180
Self-tapping screw S-MP54S 6,3x250	Steel, 1,25 mm	1,9 - 237 mm	6,3 mm	250 mm	16 mm	2 mm	Hexagon 8	100 pc	403181
Self-tapping screw S-MP54S 6,3x275	Steel, 1,25 mm	1,9 - 262 mm	6,3 mm	275 mm	16 mm	2 mm	Hexagon 8	100 pc	403182

Reference: 6 mm basematerial incl. in MF

Recommended pre-drill diameter for t_p

t _p /mm (Steel)	1.25 - 1.5	1.6 - 4.0	4.1 - 6.9	≥ 7.0
Pre-drill-Ø	5.0 mm	5.3 mm	5.5 mm	5.7 mm

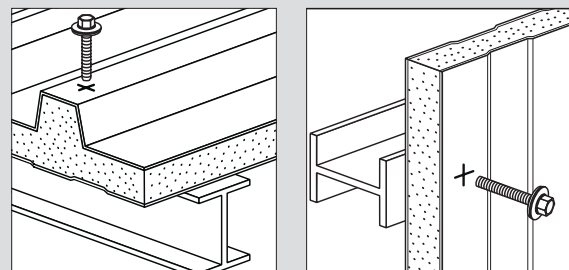
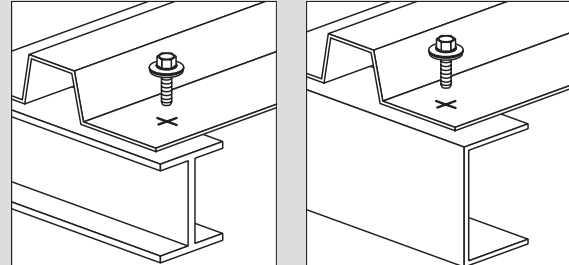
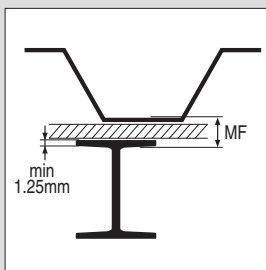
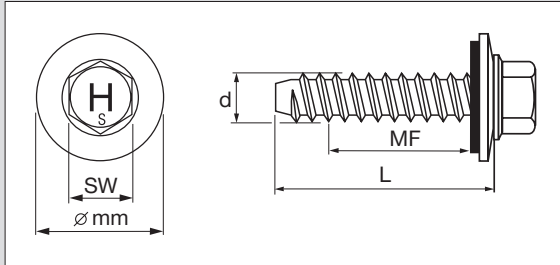
Reference:

- More Information see approval ETA-10/0182 and ETA-13/0179 (Chapter 16)

10.8 Stainless steel self-tapping screws (Ø19 mm) S-MP 64 S



The universal self-tapping screw for thick base materials



Ordering description	Minimum thickness of base material	Thickness fastened range (MF) steel	Screw diameter (d)	Screw length (L)	Washer size	EPDM-thickness	Screw drive/recess type	Sales quantity	Item number
Self-tapping screw S-MP64S 6,3x22	Steel, 1.25 mm	1.9 - 9 mm	6.3 mm	22 mm	19 mm	2 mm	Hexagon 8	500 pc	283538
Self-tapping screw S-MP64S 6,3x25	Steel, 1.25 mm	1.9 - 12 mm	6.3 mm	25 mm	19 mm	2 mm	Hexagon 8	100 pc	283540
Self-tapping screw S-MP64S 6,3x32	Steel, 1.25 mm	1.9 - 19 mm	6.3 mm	32 mm	19 mm	2 mm	Hexagon 8	250 pc	283541
Self-tapping screw S-MP64S 6,3x38	Steel, 1.25 mm	1.9 - 25 mm	6.3 mm	38 mm	19 mm	2 mm	Hexagon 8	250 pc	283542
Self-tapping screw S-MP64S 6,3x50	Steel, 1.25 mm	1.9 - 37 mm	6.3 mm	50 mm	19 mm	2 mm	Hexagon 8	250 pc	283544
Self-tapping screw S-MP64S 6,3x63	Steel, 1.25 mm	1.9 - 50 mm	6.3 mm	63 mm	19 mm	2 mm	Hexagon 8	100 pc	283545
Self-tapping screw S-MP64S 6,3x75	Steel, 1.25 mm	1.9 - 62 mm	6.3 mm	75 mm	19 mm	2 mm	Hexagon 8	100 pc	283546
Self-tapping screw S-MP64S 6,3x88	Steel, 1.25 mm	1.9 - 75 mm	6.3 mm	88 mm	19 mm	2 mm	Hexagon 8	100 pc	283547
Self-tapping screw S-MP64S 6,3x100	Steel, 1.25 mm	1.9 - 87 mm	6.3 mm	100 mm	19 mm	2 mm	Hexagon 8	100 pc	283552
Self-tapping screw S-MP64S 6,3x125	Steel, 1.25 mm	1.9 - 112 mm	6.3 mm	125 mm	19 mm	2 mm	Hexagon 8	100 pc	283553
Self-tapping screw S-MP64S 6,3x150	Steel, 1.25 mm	1.9 - 138 mm	6.3 mm	150 mm	19 mm	2 mm	Hexagon 8	100 pc	283554
Self-tapping screw S-MP64S 6,3x175	Steel, 1.25 mm	1.9 - 162 mm	6.3 mm	175 mm	19 mm	2 mm	Hexagon 8	100 pc	283555
Self-tapping screw S-MP64S 6,3x200	Steel, 1.25 mm	1.9 - 187 mm	6.3 mm	200 mm	19 mm	2 mm	Hexagon 8	100 pc	403183
Self-tapping screw S-MP64S 6,3x225	Steel, 1.25 mm	1.9 - 212 mm	6.3 mm	225 mm	19 mm	2 mm	Hexagon 8	100 pc	403184
Self-tapping screw S-MP64S 6,3x250	Steel, 1.25 mm	1.9 - 237 mm	6.3 mm	250 mm	19 mm	2 mm	Hexagon 8	100 pc	403185
Self-tapping screw S-MP64S 6,3x275	Steel, 1.25 mm	1.9 - 262 mm	6.3 mm	275 mm	19 mm	2 mm	Hexagon 8	100 pc	403186

Reference: 6 mm basematerial incl. in MF

Recommended pre-drill diameter for t_{II}

t_{II} /mm (Steel)	1.25 - 1.5	1.6 - 4.0	4.1 - 6.9	≥ 7.0
Pre-drill-Ø	5.0 mm	5.3 mm	5.5 mm	5.7 mm

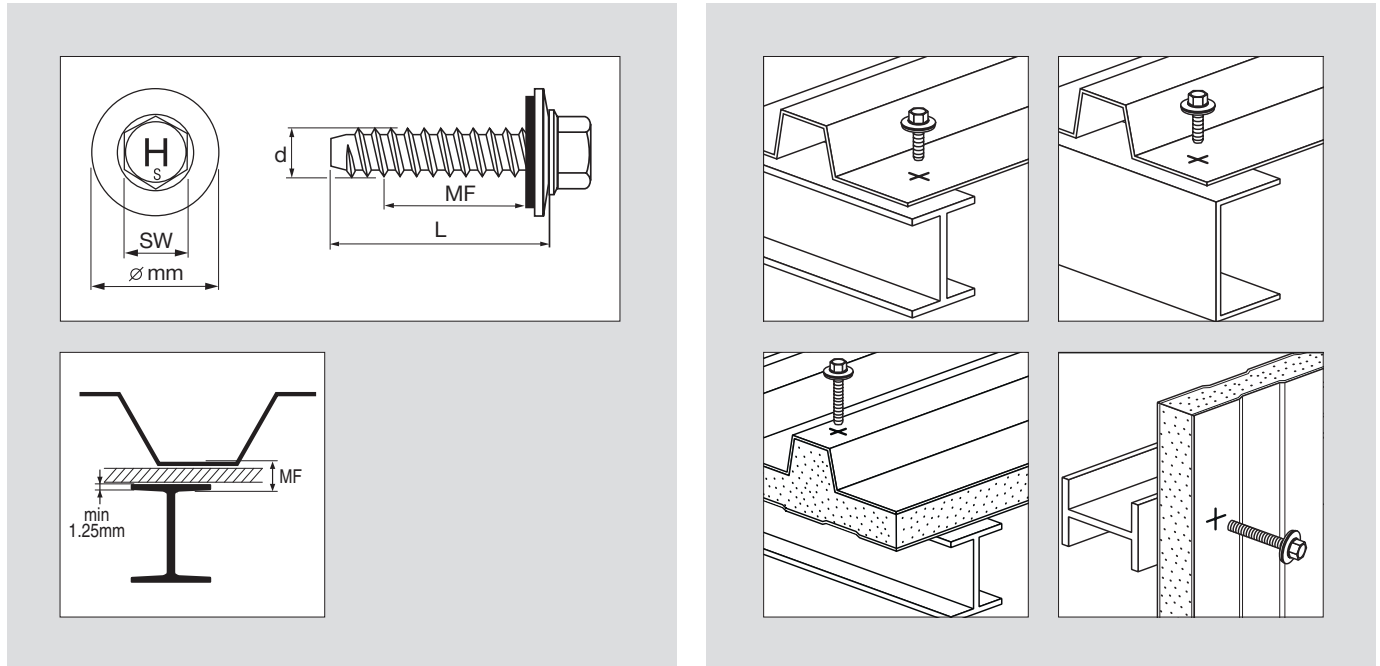
Reference:

- More Information see approval ETA-10/0182 and ETA-13/0179 (Chapter 16)



10.9 Stainless steel self-tapping screws (Ø22 mm) S-MP 74 S

The universal self-tapping screw for thick base materials



Ordering description	Minimum thickness of base material	Thickness fastened range (MF) steel	Screw diameter (d)	Screw length (L)	Washer size	EPDM-thickness	Screw drive/recess type	Sales quantity	Item number
Self-tapping screw S-MP74S 6,3x22	Steel, 1,25 mm	1,9 - 9 mm	6,3 mm	22 mm	22 mm	2 mm	Hexagon 8	500 pc	283556
Self-tapping screw S-MP74S 6,3x25	Steel, 1,25 mm	1,9 - 12 mm	6,3 mm	25 mm	22 mm	2 mm	Hexagon 8	100 pc	283557
Self-tapping screw S-MP74S 6,3x32	Steel, 1,25 mm	1,9 - 19 mm	6,3 mm	32 mm	22 mm	2 mm	Hexagon 8	250 pc	283558
Self-tapping screw S-MP74S 6,3x38	Steel, 1,25 mm	1,9 - 25 mm	6,3 mm	38 mm	22 mm	2 mm	Hexagon 8	250 pc	283559
Self-tapping screw S-MP74S 6,3x50	Steel, 1,25 mm	1,9 - 37 mm	6,3 mm	50 mm	22 mm	2 mm	Hexagon 8	250 pc	283560
Self-tapping screw S-MP74S 6,3x63	Steel, 1,25 mm	1,9 - 50 mm	6,3 mm	63 mm	22 mm	2 mm	Hexagon 8	100 pc	283561
Self-tapping screw S-MP74S 6,3x75	Steel, 1,25 mm	1,9 - 62 mm	6,3 mm	75 mm	22 mm	2 mm	Hexagon 8	100 pc	283562
Self-tapping screw S-MP74S 6,3x88	Steel, 1,25 mm	1,9 - 75 mm	6,3 mm	88 mm	22 mm	2 mm	Hexagon 8	100 pc	283563
Self-tapping screw S-MP74S 6,3x100	Steel, 1,25 mm	1,9 - 87 mm	6,3 mm	100 mm	22 mm	2 mm	Hexagon 8	100 pc	283564
Self-tapping screw S-MP74S 6,3x125	Steel, 1,25 mm	1,9 - 112 mm	6,3 mm	125 mm	22 mm	2 mm	Hexagon 8	100 pc	283565
Self-tapping screw S-MP74S 6,3x150	Steel, 1,25 mm	1,9 - 138 mm	6,3 mm	150 mm	22 mm	2 mm	Hexagon 8	100 pc	283623
Self-tapping screw S-MP74S 6,3x175	Steel, 1,25 mm	1,9 - 162 mm	6,3 mm	175 mm	22 mm	2 mm	Hexagon 8	100 pc	283624
Self-tapping screw S-MP74S 6,3x200	Steel, 1,25 mm	1,9 - 187 mm	6,3 mm	200 mm	22 mm	2 mm	Hexagon 8	100 pc	403187
Self-tapping screw S-MP74S 6,3x225	Steel, 1,25 mm	1,9 - 212 mm	6,3 mm	225 mm	22 mm	2 mm	Hexagon 8	100 pc	403188
Self-tapping screw S-MP74S 6,3x250	Steel, 1,25 mm	1,9 - 237 mm	6,3 mm	250 mm	22 mm	2 mm	Hexagon 8	100 pc	403189
Self-tapping screw S-MP74S 6,3x275	Steel, 1,25 mm	1,9 - 262 mm	6,3 mm	275 mm	22 mm	2 mm	Hexagon 8	100 pc	403190

Reference: 6 mm basematerial incl. in MF

Recommended pre-drill diameter for t_p

t _p /mm (Steel)	1.25 - 1.5	1.6 - 4.0	4.1 - 6.9	≥ 7.0
Pre-drill-Ø	5.0 mm	5.3 mm	5.5 mm	5.7 mm

Reference:
 ■ More Information see approval ETA-10/0182 and ETA-13/0179 (Chapter 16)