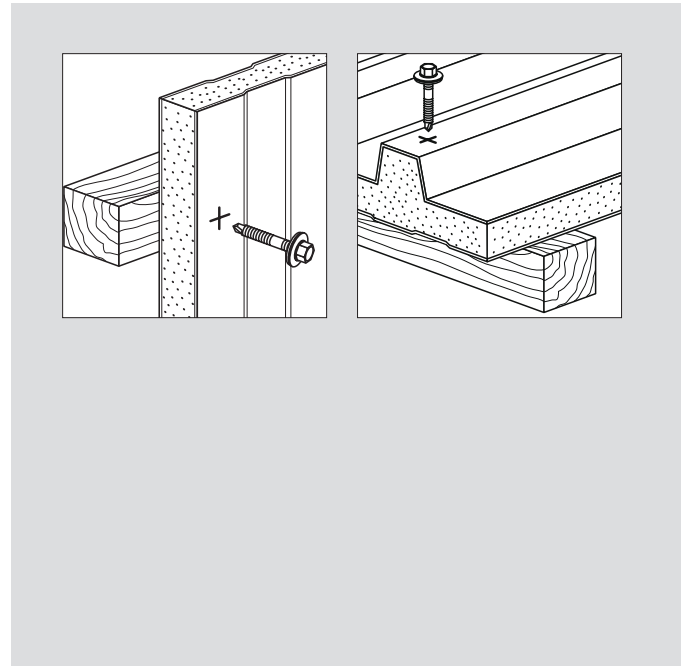
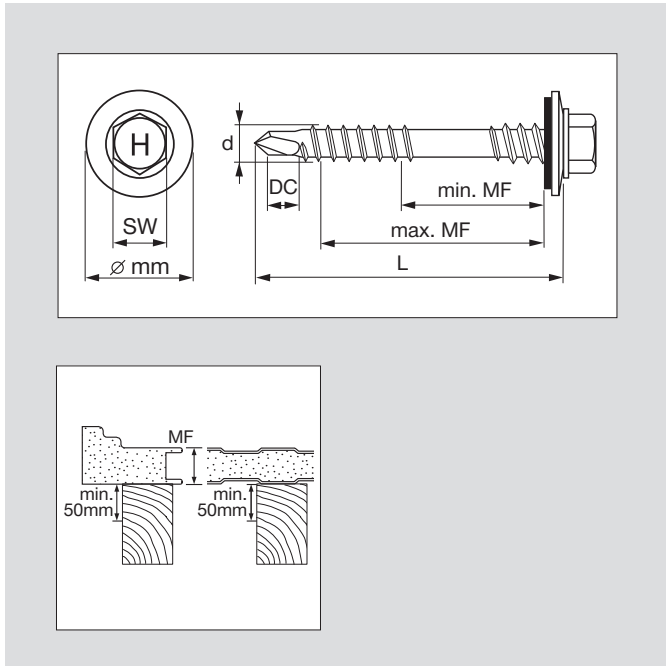


Contents

7.1			Seite
	Carbon steel sandwich panel screw (Ø19)	S-CDW 61 C	77
7.2			
	Carbon steel sandwich panel screw (Ø16)	S-CD 53 C	78
7.3			
	Carbon steel sandwich panel screw (Ø19)	S-CD 63 C	79
7.4			
	Carbon steel sandwich panel screw (Ø16)	S-CD 55 C	80
7.5			
	Carbon steel sandwich panel screw (Ø19)	S-CD 65 C	81

7.1 Carbon steel sandwich panel screw (Ø19) S-CDW 61 C

The sandwich panel screw for fastening on wood base materials



7

Ordering description	Minimum thickness of base material	Thickness fastened range (MF)	Screw diameter (d)	Screw length (L)	Washer size	EPDM-thickness	Screw drive/recess type	Sales quantity	Item number
Sandwich panel screw S-CDW61C 6,5X100	wood, 50 mm	27 - 47 mm	6.5 mm	100 mm	19 mm	2 mm	Hexagon 8	100 pc	206981
Sandwich panel screw S-CDW61C 6,5X110	wood, 50 mm	37 - 57 mm	6.5 mm	110 mm	19 mm	2 mm	Hexagon 8	100 pc	206982
Sandwich panel screw S-CDW61C 6,5X120	wood, 50 mm	47 - 67 mm	6.5 mm	120 mm	19 mm	2 mm	Hexagon 8	100 pc	206983
Sandwich panel screw S-CDW61C 6,5X140	wood, 50 mm	67 - 87 mm	6.5 mm	140 mm	19 mm	2 mm	Hexagon 8	100 pc	206984
Sandwich panel screw S-CDW61C 6,5X160	wood, 50 mm	87 - 107 mm	6.5 mm	160 mm	19 mm	2 mm	Hexagon 8	100 pc	206985
Sandwich panel screw S-CDW61C 6,5X180	wood, 50 mm	107 - 127 mm	6.5 mm	180 mm	19 mm	2 mm	Hexagon 8	100 pc	206986
Sandwich panel screw S-CDW61C 6,5X200	wood, 50 mm	127 - 147 mm	6.5 mm	200 mm	19 mm	2 mm	Hexagon 8	100 pc	206987
Sandwich panel screw S-CDW61C 6,5X220	wood, 50 mm	147 - 167 mm	6.5 mm	220 mm	19 mm	2 mm	Hexagon 8	100 pc	206988
Sandwich panel screw S-CDW61C 6,5X230	wood, 50 mm	157 - 177 mm	6.5 mm	230 mm	19 mm	2 mm	Hexagon 8	100 pc	206989

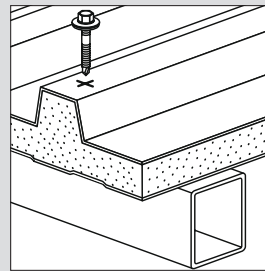
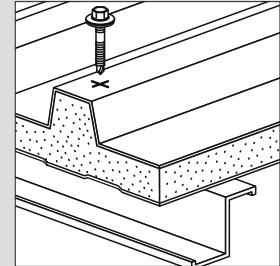
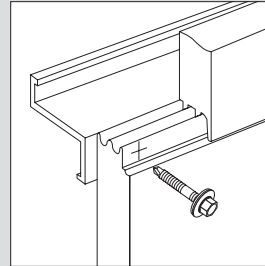
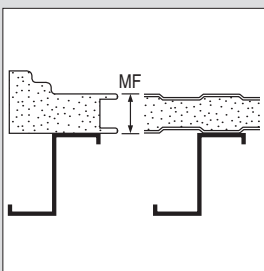
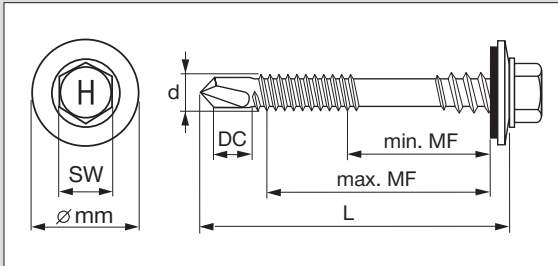
Reference:

- Technical data see chapter 16.9

7.2 Carbon steel sandwich panel screw (Ø16) S-CD 53 C



The sandwich panel screws for fastening on light and medium base materials



7

Ordering description	Drilling capacity range (DC)	Thickness fastened range (MF)	Screw diameter (d)	Screw length (L)	Washer size	EPDM-thickness	Screw drive/recess type	Sales quantity	Item number
Sandwich panel screw S-CD53C 5,5x76	2 - 6 mm	38 - 48 mm	5.5 mm	76 mm	16 mm	3 mm	Hexagon 8	100 pc	2025960
Sandwich panel screw S-CD53C 5,5x86	2 - 6 mm	48 - 58 mm	5.5 mm	86 mm	16 mm	3 mm	Hexagon 8	100 pc	2025961
Sandwich panel screw S-CD53C 5,5x96	2 - 6 mm	58 - 68 mm	5.5 mm	96 mm	16 mm	3 mm	Hexagon 8	100 pc	2025962
Sandwich panel screw S-CD53C 5,5x116	2 - 6 mm	68 - 88 mm	5.5 mm	116 mm	16 mm	3 mm	Hexagon 8	100 pc	2025963
Sandwich panel screw S-CD53C 5,5x136	2 - 6 mm	78 - 108 mm	5.5 mm	136 mm	16 mm	3 mm	Hexagon 8	100 pc	2025964
Sandwich panel screw S-CD53C 5,5x156	2 - 6 mm	98 - 128 mm	5.5 mm	156 mm	16 mm	3 mm	Hexagon 8	100 pc	2025965
Sandwich panel screw S-CD53C 5,5x186	2 - 6 mm	128 - 158 mm	5.5 mm	186 mm	16 mm	3 mm	Hexagon 8	100 pc	2025966
Sandwich panel screw S-CD53C 5,5x216	2 - 6 mm	138 - 188 mm	5.5 mm	216 mm	16 mm	3 mm	Hexagon 8	100 pc	2025967
Sandwich panel screw S-CD53C 5,5x256	2 - 6 mm	178 - 228 mm	5.5 mm	256 mm	16 mm	3 mm	Hexagon 8	100 pc	2025968
Sandwich panel screw S-CD53C 5,5x286	2 - 6 mm	208 - 258 mm	5.5 mm	286 mm	16 mm	3 mm	Hexagon 8	100 pc	2025969

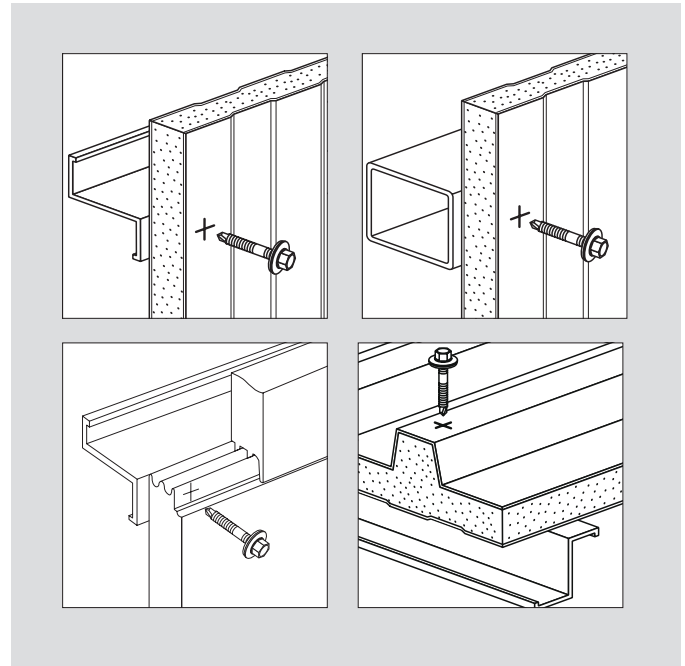
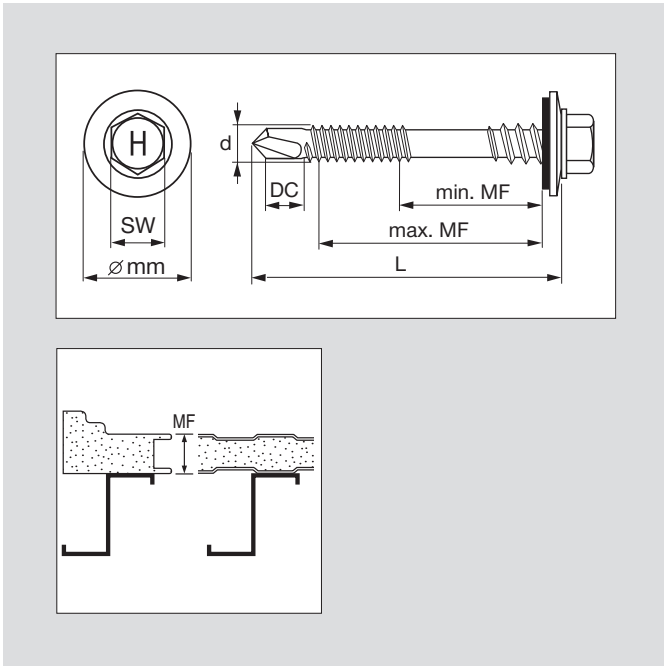
Reference:

- Technical data see chapter 16.9



7.3 Carbon steel sandwich panel screw (Ø19) S-CD 63 C

The sandwich panel screws for fastening on light and medium base materials



7

Ordering description	Drilling capacity range (DC)	Thickness fastened range (MF)	Screw diameter (d)	Screw length (L)	Washer size	EPDM-thickness	Screw drive/recess type	Sales quantity	Item number
Sandwich panel screw S-CD63C 5,5x76	2 - 6 mm	38 - 48 mm	5.5 mm	76 mm	19 mm	3 mm	Hexagon 8	100 pc	413344
Sandwich panel screw S-CD63C 5,5x86	2 - 6 mm	48 - 58 mm	5.5 mm	86 mm	19 mm	3 mm	Hexagon 8	100 pc	413345
Sandwich panel screw S-CD63C 5,5x96	2 - 6 mm	58 - 68 mm	5.5 mm	96 mm	19 mm	3 mm	Hexagon 8	100 pc	413346
Sandwich panel screw S-CD63C 5,5x116	2 - 6 mm	68 - 88 mm	5.5 mm	116 mm	19 mm	3 mm	Hexagon 8	100 pc	413339
Sandwich panel screw S-CD63C 5,5x136	2 - 6 mm	78 - 108 mm	5.5 mm	136 mm	19 mm	3 mm	Hexagon 8	100 pc	413340
Sandwich panel screw S-CD63C 5,5x156	2 - 6 mm	98 - 128 mm	5.5 mm	156 mm	19 mm	3 mm	Hexagon 8	100 pc	413341
Sandwich panel screw S-CD63C 5,5x186	2 - 6 mm	128 - 158 mm	5.5 mm	186 mm	19 mm	3 mm	Hexagon 8	100 pc	413342
Sandwich panel screw S-CD63C 5,5x216	2 - 6 mm	138 - 188 mm	5.5 mm	216 mm	19 mm	3 mm	Hexagon 8	100 pc	413343
Sandwich panel screw S-CD63C 5,5x256	2 - 6 mm	178 - 228 mm	5.5 mm	256 mm	19 mm	3 mm	Hexagon 8	100 pc	413347
Sandwich panel screw S-CD63C 5,5x286	2 - 6 mm	208 - 258 mm	5.5 mm	286 mm	19 mm	3 mm	Hexagon 8	100 pc	413348

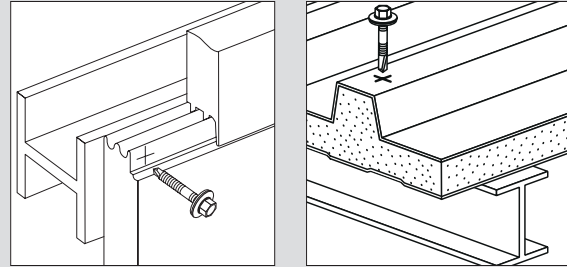
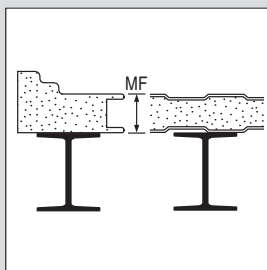
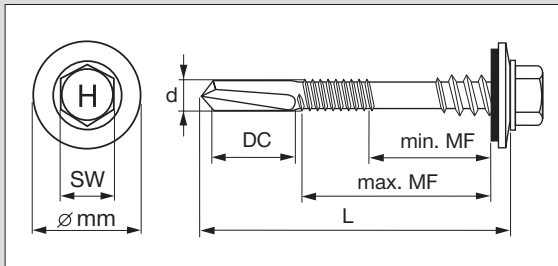
Reference:

- Technical data see chapter 16.9

7.4 Carbon steel sandwich panel screw (Ø16) S-CD 55 C



The sandwich panel screw for thick base materials



7

Ordering description	Drilling capacity range (DC)	Thickness fastened range (MF)	Screw diameter (d)	Screw length (L)	Washer size	EPDM-thickness	Screw drive/recess type	Sales quantity	Item number
Sandwich panel screw S-CD55C 5,5x108	3.5 - 15 mm	58 - 68 mm	5.5 mm	108 mm	16 mm	3 mm	Hexagon 8	100 pc	2025476
Sandwich panel screw S-CD55C 5,5x128	3.5 - 15 mm	68 - 88 mm	5.5 mm	128 mm	16 mm	3 mm	Hexagon 8	100 pc	2025477
Sandwich panel screw S-CD55C 5,5x148	3.5 - 15 mm	78 - 108 mm	5.5 mm	148 mm	16 mm	3 mm	Hexagon 8	100 pc	2025478
Sandwich panel screw S-CD55C 5,5x168	3.5 - 15 mm	98 - 128 mm	5.5 mm	168 mm	16 mm	3 mm	Hexagon 8	100 pc	2025479
Sandwich panel screw S-CD55C 5,5x198	3.5 - 15 mm	128 - 158 mm	5.5 mm	198 mm	16 mm	3 mm	Hexagon 8	100 pc	2025950
Sandwich panel screw S-CD55C 5,5x228	3.5 - 15 mm	138 - 188 mm	5.5 mm	228 mm	16 mm	3 mm	Hexagon 8	100 pc	2025951
Sandwich panel screw S-CD55C 5,5x268	3.5 - 15 mm	178 - 228 mm	5.5 mm	268 mm	16 mm	3 mm	Hexagon 8	100 pc	2025952
Sandwich panel screw S-CD55C 5,5x298	3.5 - 15 mm	208 - 258 mm	5.5 mm	298 mm	16 mm	3 mm	Hexagon 8	100 pc	2025953

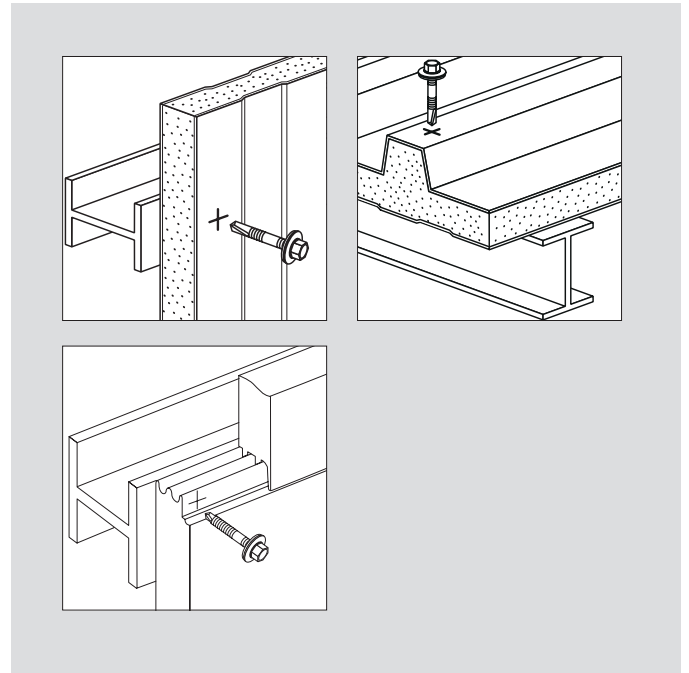
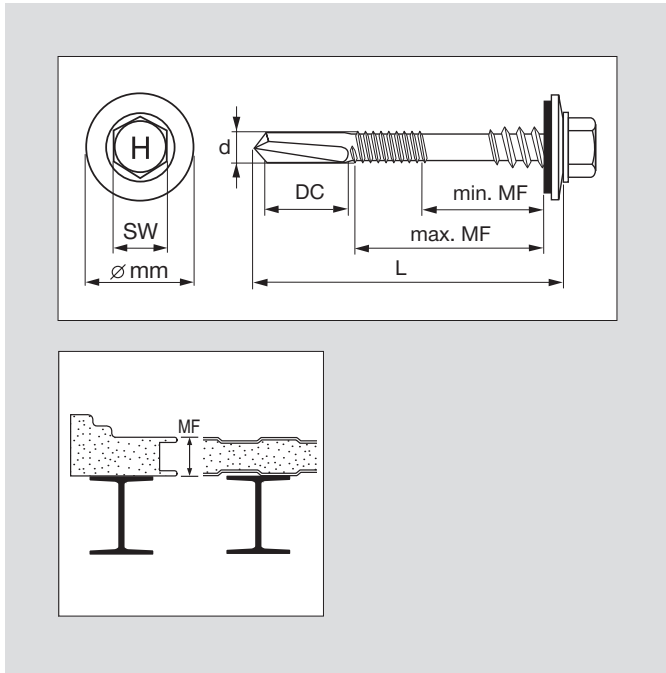
Reference:

- Technical data see chapter 16.9

7.5 Carbon steel sandwich panel screw (Ø19) S-CD 65 C



The sandwich panel screw for thick base materials



7

Ordering description	Drilling capacity range (DC)	Thickness fastened range (MF)	Screw diameter (d)	Screw length (L)	Washer size	EPDM-thickness	Screw drive/recess type	Sales quantity	Item number
Sandwich panel screw S-CD65C 5,5x108	3.5 - 15 mm	58 - 68 mm	5.5 mm	108 mm	19 mm	3 mm	Hexagon 8	100 pc	414185
Sandwich panel screw S-CD65C 5,5x128	3.5 - 15 mm	68 - 88 mm	5.5 mm	128 mm	19 mm	3 mm	Hexagon 8	100 pc	414186
Sandwich panel screw S-CD65C 5,5x148	3.5 - 15 mm	78 - 108 mm	5.5 mm	148 mm	19 mm	3 mm	Hexagon 8	100 pc	414187
Sandwich panel screw S-CD65C 5,5x168	3.5 - 15 mm	98 - 128 mm	5.5 mm	168 mm	19 mm	3 mm	Hexagon 8	100 pc	290389
Sandwich panel screw S-CD65C 5,5x198	3.5 - 15 mm	128 - 158 mm	5.5 mm	198 mm	19 mm	3 mm	Hexagon 8	100 pc	290390
Sandwich panel screw S-CD65C 5,5x228	3.5 - 15 mm	138 - 188 mm	5.5 mm	228 mm	19 mm	3 mm	Hexagon 8	100 pc	290391
Sandwich panel screw S-CD65C 5,5x268	3.5 - 15 mm	178 - 228 mm	5.5 mm	268 mm	19 mm	3 mm	Hexagon 8	100 pc	290392
Sandwich panel screw S-CD65C 5,5x298	3.5 - 15 mm	208 - 258 mm	5.5 mm	298 mm	19 mm	3 mm	Hexagon 8	100 pc	414289

Reference:

- Technical data see chapter 16.9