

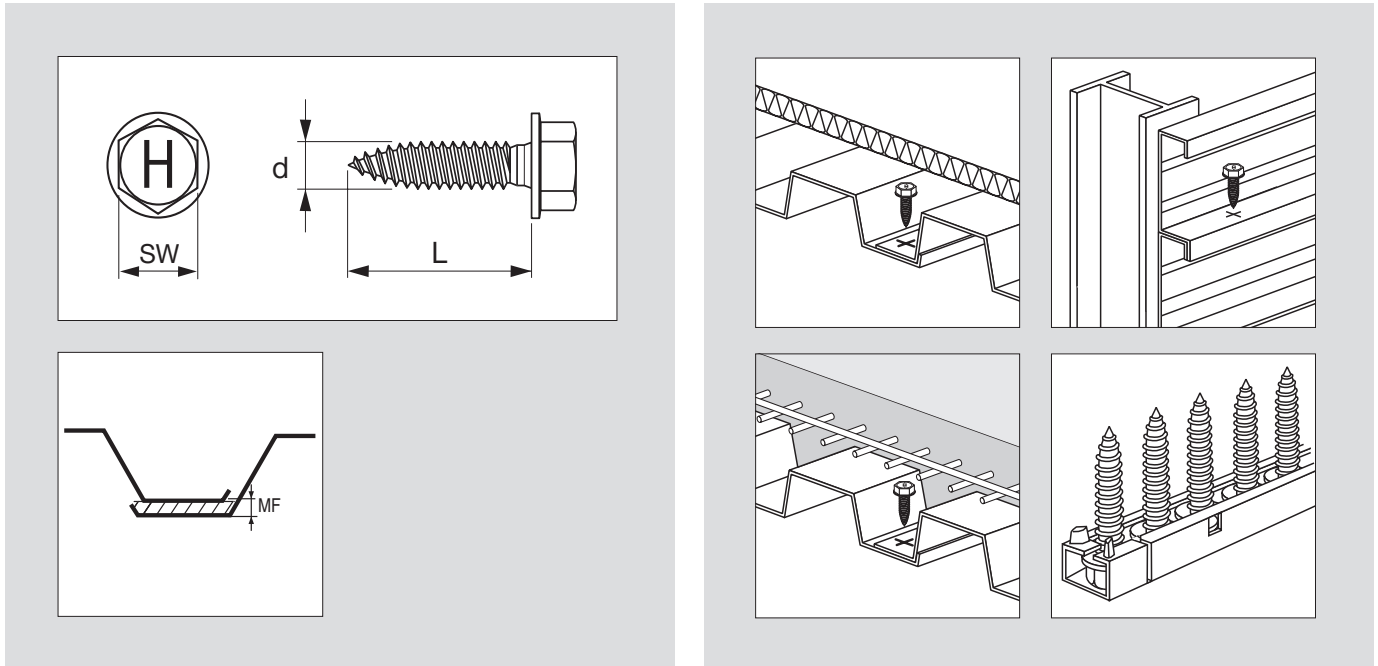
Content

			Page
5.1			
5.1.1	Carbon steel overlapping screw, chipless	S-MS 01 Z	31
5.1.2	Carbon steel self-drilling screw	S-MD 01 Z	32
5.1.3	Carbon steel self-drilling screw	S-MD 03 Z	33
5.1.4	Carbon steel self-drilling screw	S-MD 05 GZ	34
5.2			
5.2.1	Carbon steel self-drilling with pressed-on flange	S-MD/MDU 21 Z	35
5.2.2	Carbon steel self-drilling with pressed-on flange	S-MD 23 Z	36
5.2.3	Carbon steel self-drilling with pressed-on flange	S-MD 25 GZ	37
5.3			
5.3.1	Collated carbon steel self-drilling screw	S-MS/MD/MDU	38
5.4			
5.4.1	Carbon steel overlapping screw, chipless (Ø 14, 16)	S-MS 41 Z/51 Z	39
5.4.2	Carbon steel self-drilling Screw (Ø 16)	S-MD 51 Z	40
5.4.3	Carbon steel self-drilling Screw (Ø 16)	S-MD 51 LZ	41
5.4.4	Carbon steel self-drilling Screw (Ø 16)	S-MD 53 Z	42
5.4.5	Carbon steel self-drilling Screw (Ø 16)	S-MD 55 GZ	43
5.4.6	Carbon steel self-drilling Screw (Ø 19)	S-MD 65 GZ	44
5.4.7	Colored carbon steel overlapping screw, chipless (Ø 14, 16)	S-MS 41 Z/51 Z RAL	45
5.4.8	Colored carbon self-drilling Screw (Ø 16)	S-MD 51 Z RAL	46
5.4.9	Colored carbon self-drilling Screw (Ø 16)	S-MD 51 LZ RAL	47
5.4.10	Colored carbon self-drilling Screw (Ø 16)	S-MD 53 Z RAL	48
5.4.11	Colored carbon self-drilling Screw (Ø 16)	S-MD 55 GZ RAL	49
5.5			
	Carbon steel self-drilling screw	S-MD 01 ZW S-MD 03 ZW S-MD 05 ZW	50



5.1.1 Carbon steel overlapping screw, chipless S-MS 01 Z

The fastest chipless overlapping screw



5

Ordering description	Drilling capacity range (DC)	Thickness fastened range (MF)	Screw diameter (d)	Screw length (L)	Screw drive/recess type	Sales quantity	Item number
Self-drill screw S-MS01Z 4,8x20	2x 0.5 mm - 2x 1.25 mm	1.0 - 2.5 mm	4.8 mm	20 mm	Hexagon 8	1000 pc	385448
Self-drill screw S-MS01Z 4,8x20 M	2x 0.5 mm - 2x 1.25 mm	1.0 - 2.5 mm	4.8 mm	20 mm	Hexagon 8	250 pc	385450

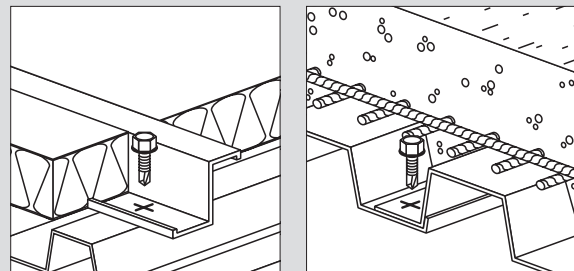
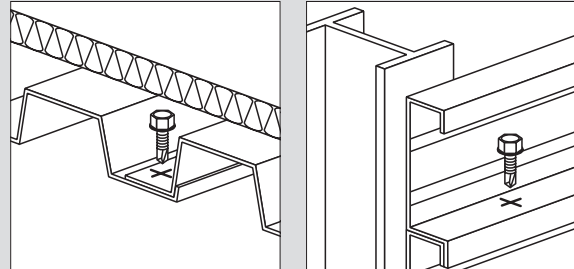
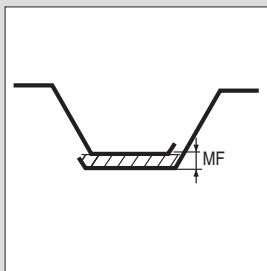
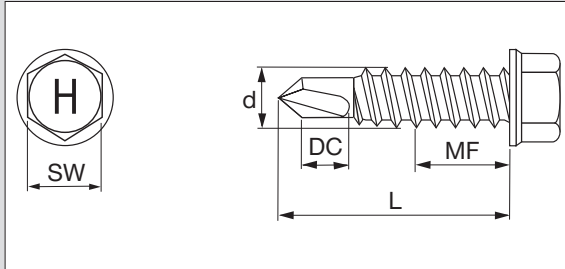
Reference:

- More Information see approval ETA-10/0182 (Chapter 16)

5.1.2 Carbon steel self-drilling screw S-MD 01 Z



Universal carbon self-drilling screw for a wide range of light inside applications



Ordering description	Reference	Drilling capacity range (DC)	Thickness fastened range (MF)	Screw diameter (d)	Screw length (L)	Screw drive/recess type	Sales quantity	Item number
Self-drill screw S-MD01Z 4,2X13		1.2 - 2.5 mm	1.2 - 4.5 mm	4.2 mm	13 mm	Hexagon 7	1000 pc	224500
Self-drill screw S-MD01Z 4,2X16		1.2 - 2.5 mm	1.2 - 7.5 mm	4.2 mm	16 mm	Hexagon 7	1000 pc	10405
Self-drill screw S-MD01Y 4,8X16	no approval	1.2 - 2.75 mm	1.2 - 7 mm	4.8 mm	16 mm	Hexagon 8	1000 pc	257732
Self-drill screw S-MD01Z 4,8X13		1.2 - 2.75 mm	1.2 - 4 mm	4.8 mm	13 mm	Hexagon 8	1000 pc	224501
Self-drill screw S-MD01Z 4,8X19		1.2 - 2.75 mm	1.2 - 10 mm	4.8 mm	19 mm	Hexagon 8	500 pc	219557
Self-drill screw S-MD01Z 5,5X19		1.2 - 3 mm	1.2 - 9 mm	5.5 mm	19 mm	Hexagon 8	500 pc	219558
Self-drill screw S-MD01Z 6,3X19		1.2 - 3 mm	1.2 - 8 mm	6.3 mm	19 mm	Hexagon 3/8	500 pc	219559

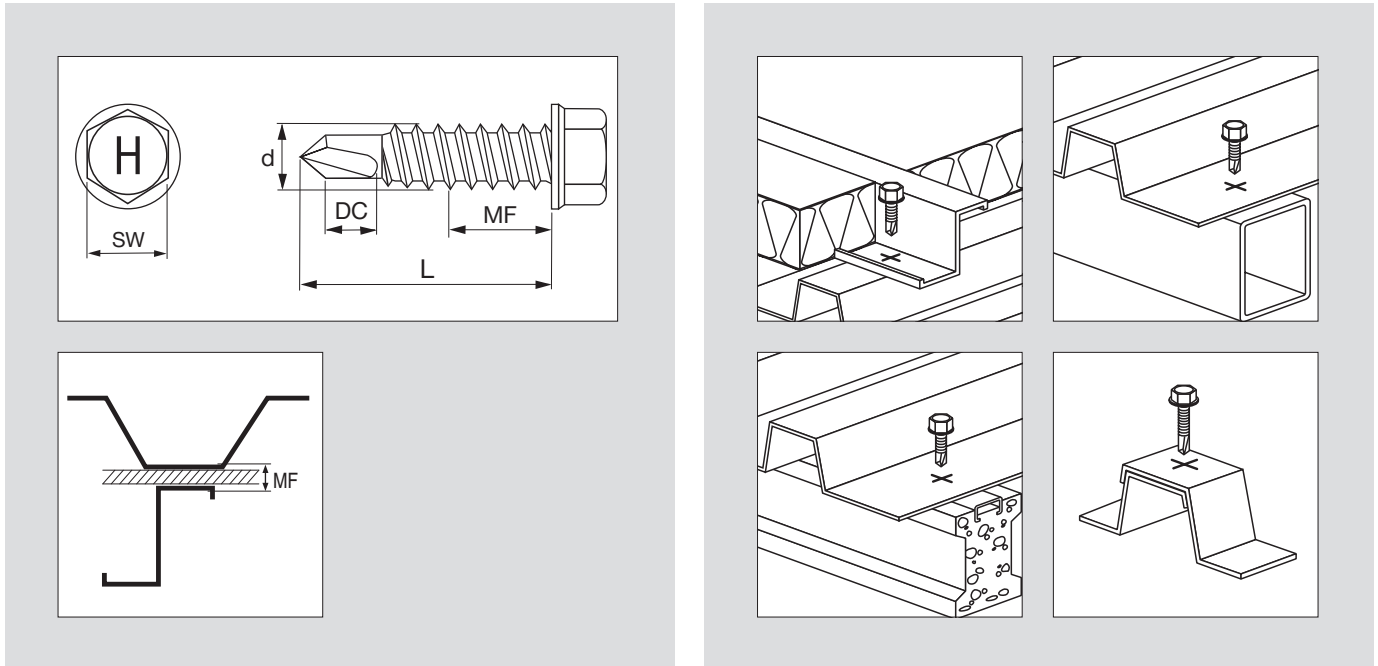
Reference:

- More Information see approval ETA-10/0182 (Chapter 16)

5.1.3 Carbon steel self-drilling screw S-MD 03 Z



The universal and robust self-drilling screws for a wide range of fastenings on steel framing



5

Ordering description	Reference	Drilling capacity range (DC)	Thickness fastened range (MF)	Screw diameter (d)	Screw length (L)	Screw drive/recess type	Sales quantity	Item number
Self-drill screw S-MD03Z 4,2X16	Without RT, no approval	2.1 - 3.5 mm	2.1 - 6 mm	4.2 mm	16 mm	Hexagon 7	1000 pc	219013
Self-drill screw S-MD03Z 4,8X16	Without RT	2.1 - 4.5 mm	2.1 - 5 mm	4.8 mm	16 mm	Hexagon 8	500 pc	219015
Self-drill screw S-MD03Z 4,8X19	Without RT	2.1 - 4.5 mm	2.1 - 8 mm	4.8 mm	19 mm	Hexagon 8	500 pc	219016
Self-drill screw S-MD03Z 5,5x19		2.6 - 6 mm	2.6 - 7 mm	5.5 mm	19 mm	Hexagon 8	500 pc	413415
Self-drill screw S-MD03Z 5,5x22		2.6 - 6 mm	2.6 - 10 mm	5.5 mm	22 mm	Hexagon 8	500 pc	413416
Self-drill screw S-MD03Z 5,5x25		2.6 - 6 mm	2.6 - 13 mm	5.5 mm	25 mm	Hexagon 8	500 pc	413417
Self-drill screw S-MD03Z 5,5x32		2.6 - 6 mm	2.6 - 20 mm	5.5 mm	32 mm	Hexagon 8	500 pc	413419
Self-drill screw S-MD03Z 5,5x38		2.6 - 6 mm	2.6 - 26 mm	5.5 mm	38 mm	Hexagon 8	500 pc	413420
Self-drill screw S-MD03Z 5,5x50		2.6 - 6 mm	2.6 - 38 mm	5.5 mm	50 mm	Hexagon 8	500 pc	414293
Self-drill screw S-MD03Z 6,3x19		2.6 - 6 mm	2.6 - 7 mm	6.3 mm	19 mm	Hexagon 8	500 pc	413421
Self-drill screw S-MD03Z 6,3x22		2.6 - 6 mm	2.6 - 10 mm	6.3 mm	22 mm	Hexagon 8	500 pc	413422
Self-drill screw S-MD03Z 6,3x25		2.6 - 6 mm	2.6 - 13 mm	6.3 mm	25 mm	Hexagon 8	500 pc	413423
Self-drill screw S-MD03Z 6,3x32		2.6 - 6 mm	2.6 - 20 mm	6.3 mm	32 mm	Hexagon 8	500 pc	413424
Self-drill screw S-MD03Z 6,3x38		2.6 - 6 mm	2.6 - 26 mm	6.3 mm	38 mm	Hexagon 8	500 pc	414295
Self-drill screw S-MD03Z 6,3x50		2.6 - 6 mm	2.6 - 38 mm	6.3 mm	50 mm	Hexagon 8	250 pc	413425
Self-drill screw S-MD03Z 6,3x70		2.6 - 6 mm	2.6 - 58 mm	6.3 mm	70 mm	Hexagon 8	250 pc	413426

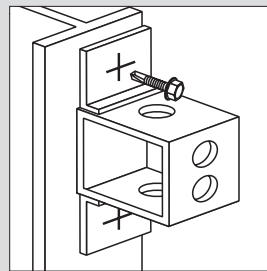
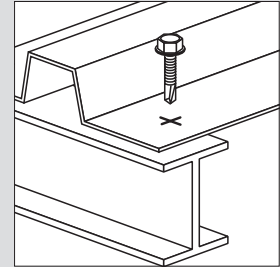
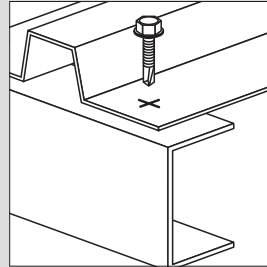
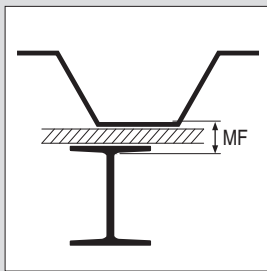
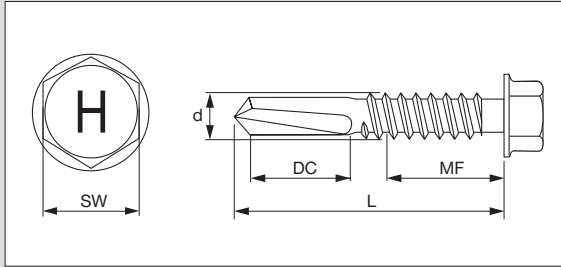
Reference:

- More Information see approval ETA-10/0182 (Chapter 16)

5.1.4 Carbon steel self-drilling screw S-MD 05 GZ



Universal carbon steel self-drilling screw for a wide range of medium and heavy inside applications



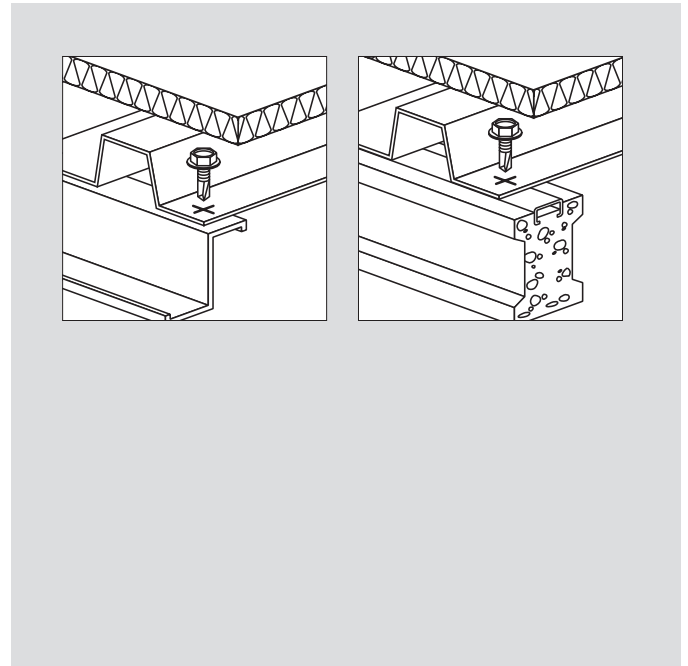
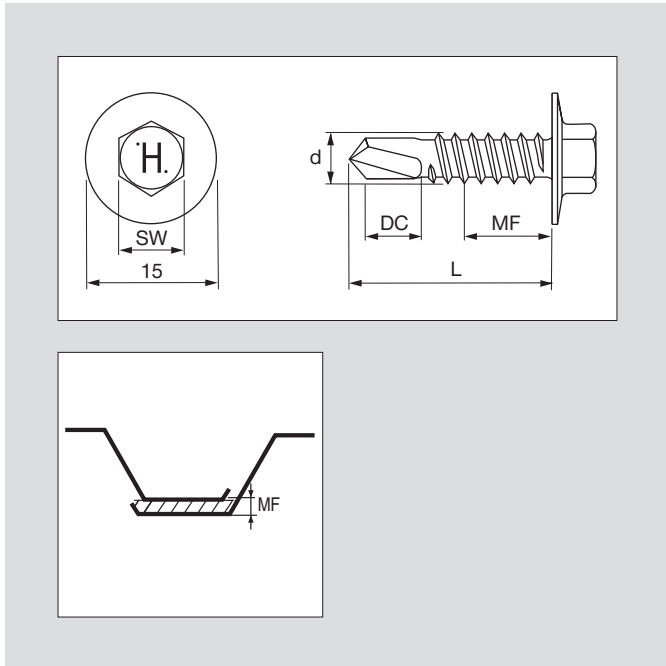
Ordering description	Drilling capacity range (DC)	Thickness fastened range (MF)	Screw diameter (d)	Screw length (L)	Screw drive/recess type	Sales quantity	Item number
Self-drill screw S-MD05GZ 5,5x40	4.6 - 15 mm	4.6 - 18 mm	5.5 mm	40 mm	Hexagon 8	250 pc	2054483
Self-drill screw S-MD05GZ 5,5x52	4.6 - 15 mm	4.6 - 30 mm	5.5 mm	52 mm	Hexagon 8	250 pc	2054484
Self-drill screw S-MD05GZ 5,5x65	4.6 - 15 mm	4.6 - 43 mm	5.5 mm	65 mm	Hexagon 8	100 pc	2054485
Self-drill screw S-MD05GZ 5,5x82	4.6 - 15 mm	4.6 - 60 mm	5.5 mm	82 mm	Hexagon 8	100 pc	2054486
Self-drill screw S-MD05GZ 5,5x102	4.6 - 15 mm	4.6 - 80 mm	5.5 mm	102 mm	Hexagon 8	100 pc	2054487

Reference:

- More Information see approval ETA-10/0182 (Chapter 16)

5.2.1 Carbon steel self-drilling with pressed-on flange S-MD/MDU 21Z

The universal and robust self-drilling screws for a wide range of fastenings on steel framing



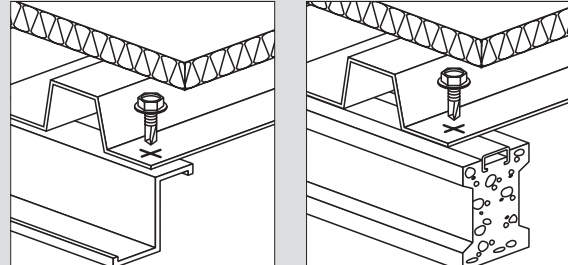
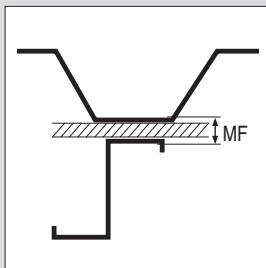
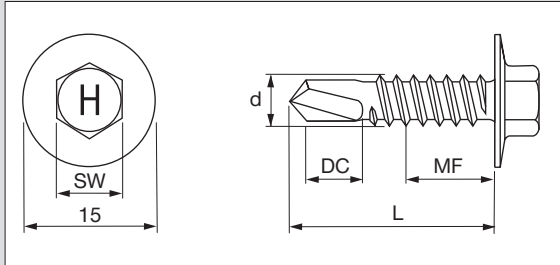
5

Ordering description	Drilling capacity range (DC)	Thickness fastened range (MF)	Screw diameter (d)	Screw length (L)	Washer	Screw drive/recess type	Sales quantity	Item number
Self-drill screw S-MD21Z 5,5X25	1.2 - 3 mm	1.2 - 15 mm	5.5 mm	25 mm	15 mm pressed-on	Hexagon 8	500 pc	234588
Self-drill screw S-MDU21 Z 6,3x22	1.2 - 3 mm	1.2 - 9 mm	6.3 mm	22 mm	15 mm pressed-on	Hexagon 3/8	500 pc	201990

5.2.2 Carbon steel self-drilling with pressed-on flange S-MD 23 Z



The universal and robust self-drilling screws for a wide range of fastenings on steel framing



Ordering description	Drilling capacity range (DC)	Thickness fastened range (MF)	Screw diameter (d)	Screw length (L)	Washer	Screw drive/recess type	Sales quantity	Item number
Self-drill screw S-MD23Z 5,5x22	2.6 - 6 mm	2.6 - 10 mm	5.5 mm	22 mm	15 mm pressed-on	Hexagon 8	500 pc	413427
Self-drill screw S-MD23Z 6,3x19	2.6 - 6 mm	2.6 - 7 mm	6.3 mm	19 mm	15 mm pressed-on	Hexagon 8	500 pc	413429
Self-drill screw S-MD23Z 6,3x22	2.6 - 6 mm	2.6 - 10 mm	6.3 mm	22 mm	15 mm pressed-on	Hexagon 8	500 pc	413430
Self-drill screw S-MD23Z 6,3x25	2.6 - 6 mm	2.6 - 13 mm	6.3 mm	25 mm	15 mm pressed-on	Hexagon 8	500 pc	413432
Self-drill screw S-MD23Z 6,3x50	2.6 - 6 mm	2.6 - 38 mm	6.3 mm	50 mm	15 mm pressed-on	Hexagon 8	250 pc	413433

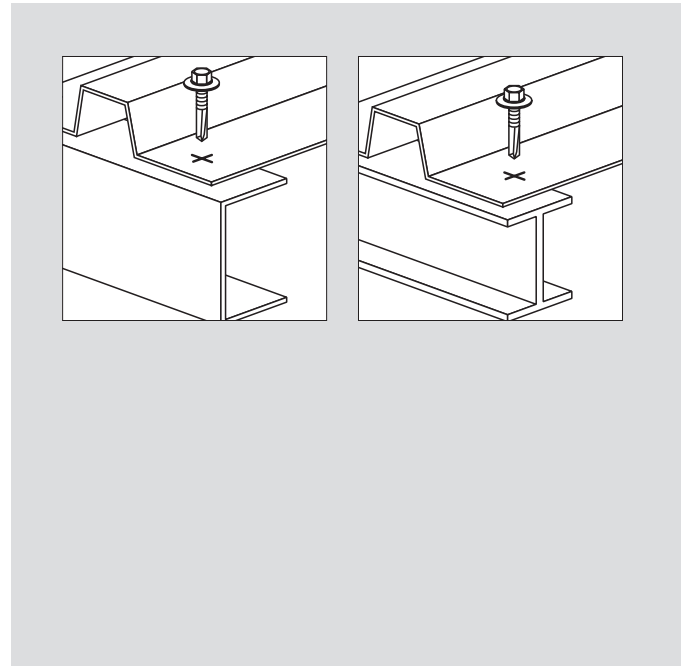
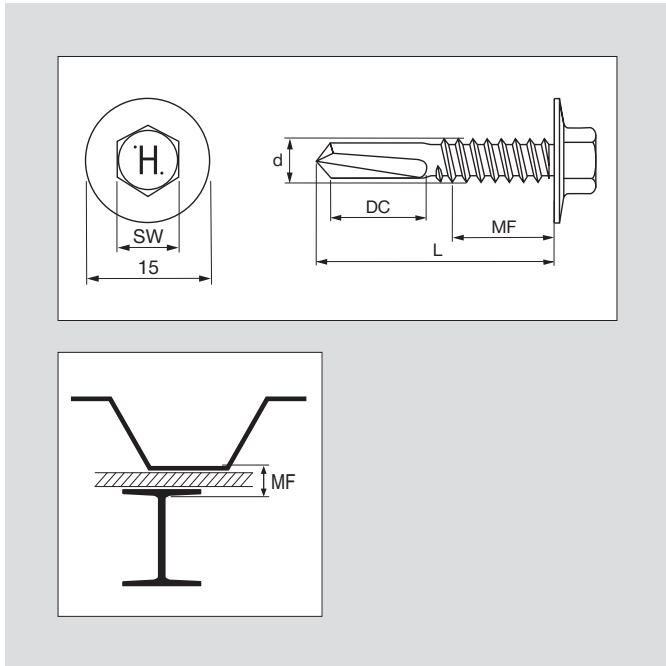
Reference:

- More Information see approval ETA-10/0182 (Chapter 16)

5.2.3 Carbon steel self-drilling with pressed-on flange S-MD 25 GZ



Universal carbon steel self-drilling screw for a wide range of medium and heavy inside applications



5

Ordering description	Drilling capacity range (DC)	Befestigungshöhe (MF)	Screw diameter (d)	Screw length (L)	Washer	Screw drive/recess type	Sales quantity	Item number
Self-drill screw S-MD25GZ 5,5x40	4.6 - 15 mm	4.6 - 18 mm	5.5 mm	40 mm	15 mm pressed-on	Hexagon 8	250 pc	2054488

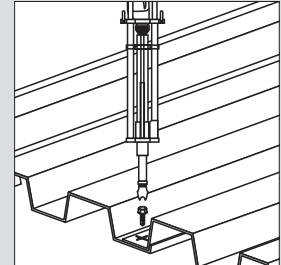
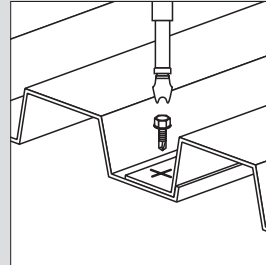
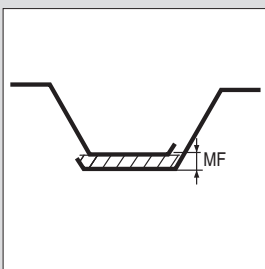
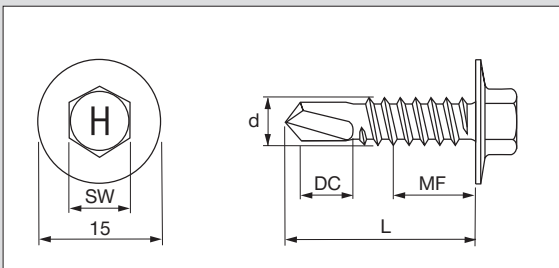
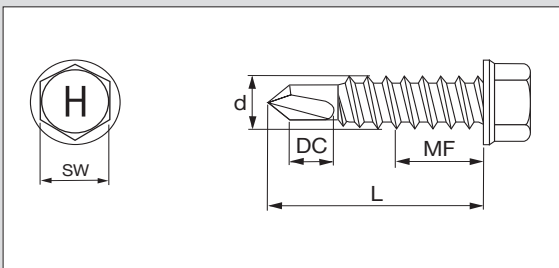
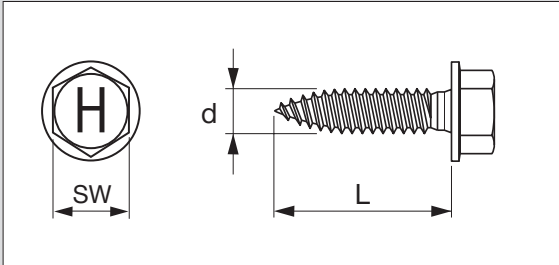
Reference:

- Technical data see chapter 16.9

5.3.1 Collated carbon steel self-drilling screw S-MD/MDU/MS M



Collated carbon steel self-drilling screws for higher productivity



Ordering description	Reference	Drilling capacity range (DC)	Thickness fastened range (MF)	Screw diameter (d)	Screw length (L)	Washer	Standgerät	Screw drive/recess type	Sales quantity	Item number
Self-drill screw S-MS01Z 4,8x20 M	without RT	2x 0.5 mm - 2x 1.25 mm	1.0 - 2.5 mm	4.8 mm	20 mm		SDT 5 SDT 30	Hexagon 8	250 pc	385450
Self-drill screw S-MD01Z 4,8x19 M	without RT	1.2 - 2.75 mm	1.2 - 10 mm	4.8 mm	19 mm		SDT 5 SDT 30	Hexagon 8	250 pc	378978
Self-drill screw S-MD01LZ 4,8x22 M	without RT without ETA	1.6 - 2.75 mm	1.6 - 10 mm	4.8 mm	22 mm		SDT 5 SDT 30	Hexagon 8	250 pc	284488
Self-drill screw S-MDU21Z 6,3x22 M	without RT without ETA	1.2 - 3 mm	1.2 - 9 mm	6.3 mm	22 mm	15 mm pressed-on	SDT 25-15	Hexagon 3/8	200 pc	228237
Self-drill screw S-MD03Z 5,5x25 M		2.6 - 6 mm	2.6 - 13 mm	5.5 mm	25 mm		SDT 5 SDT 30	Hexagon 8	250 pc	413418
Self-drill screw S-MD23Z 5,5x22 M		2.6 - 6 mm	2.6 - 10 mm	5.5 mm	22 mm	15 mm pressed-on	SDT 25-15	Hexagon 10	200 pc	413428
Self-drill screw S-MD23Z 6,3x22 M		2.6 - 6 mm	2.6 - 10 mm	6.3 mm	22 mm	15 mm pressed-on	SDT 25-15	Hexagon 10	200 pc	413431
Self-drill screw S-MD05Z 5,5x40 M		4.6 - 15 mm	4.6 - 18 mm	5.5 mm	40 mm		SDT 5	Hexagon 8	250 pc	2058923

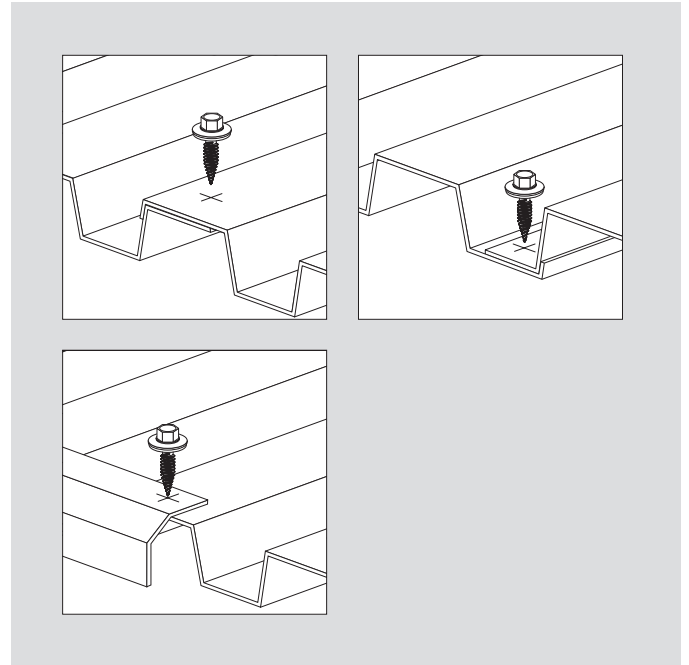
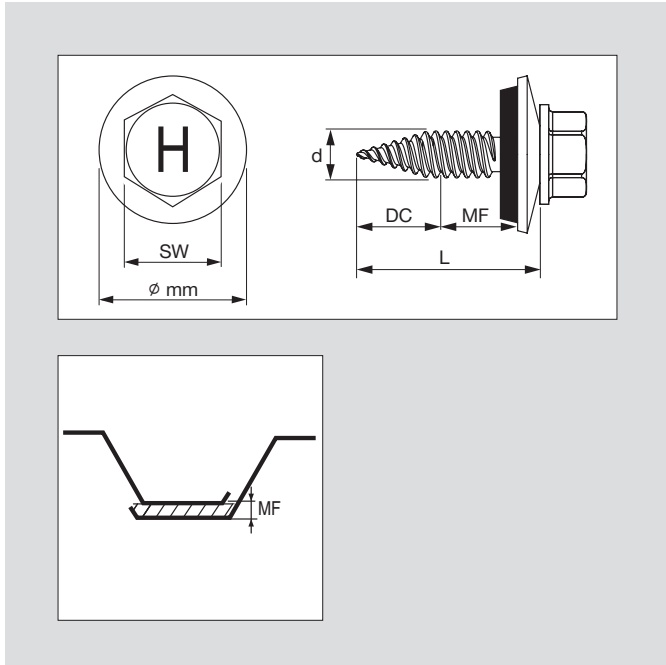
Reference:

- More Information see approval ETA-10/0182 (Chapter 16)

5.4.1
Carbon steel overlapping screw,
chipless (Ø 14, 16)
S-MS 41 Z/51 Z



The fastest chipless overlapping screw with 14 and 16 mm sealing washer



5

Ordering description	Drilling capacity range (DC)	Thickness fastened range (MF)	Screw diameter (d)	Screw length (L)	Washer size	EPDM thickness	Screw drive/recess type	Sales quantity	Item number
Self-drill screw S-MS 41Z 4.8x20	2 x 0.4 mm - 2 x 1.0 mm	0.8 - 4.0 mm	4.8 mm	20 mm	14 mm	2 mm	Hexagon 8	500 pc	2083694
Self-drill screw S-MS 51Z 4.8x20	2 x 0.4 mm - 2 x 1.0 mm	0.8 - 4.0 mm	4.8 mm	20 mm	16 mm	2 mm	Hexagon 8	500 pc	2083695

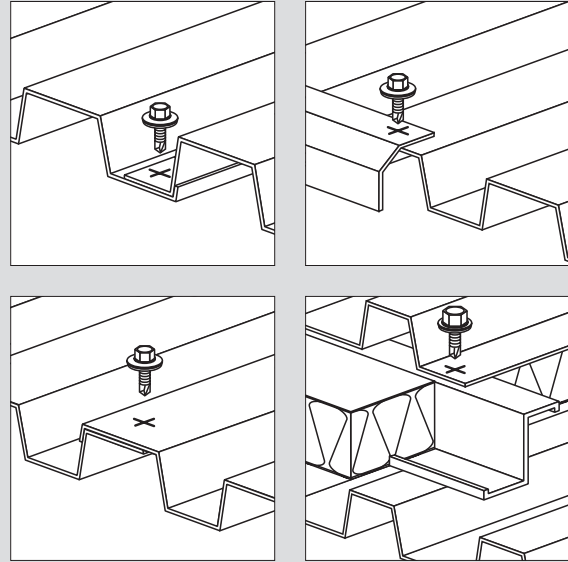
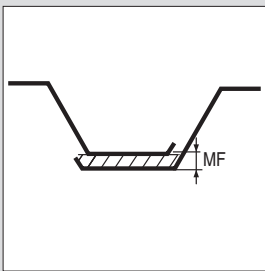
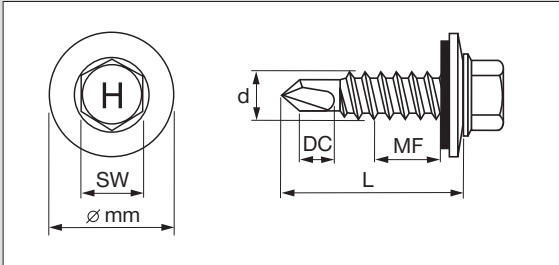
Reference:

- The screws can be processed without a depth gauge and without torque limitation. They are deliberately and systematically overtorqued
- More Information see approval Z-14.1 and Z-14.1-537 (Chapter 16)

5.4.2 Carbon steel self-drilling Screw (Ø19) S-MD 51 Z



Carbon steel self-drilling screw with 16 mm sealing washer for light applications



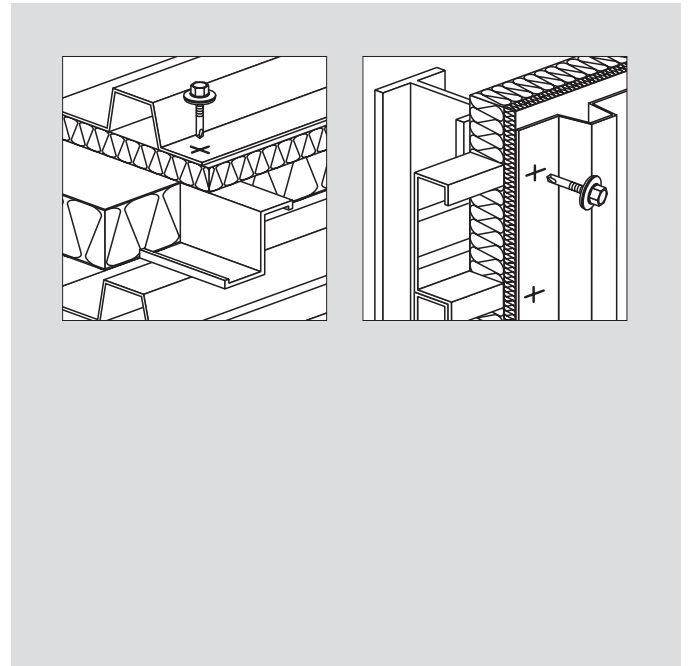
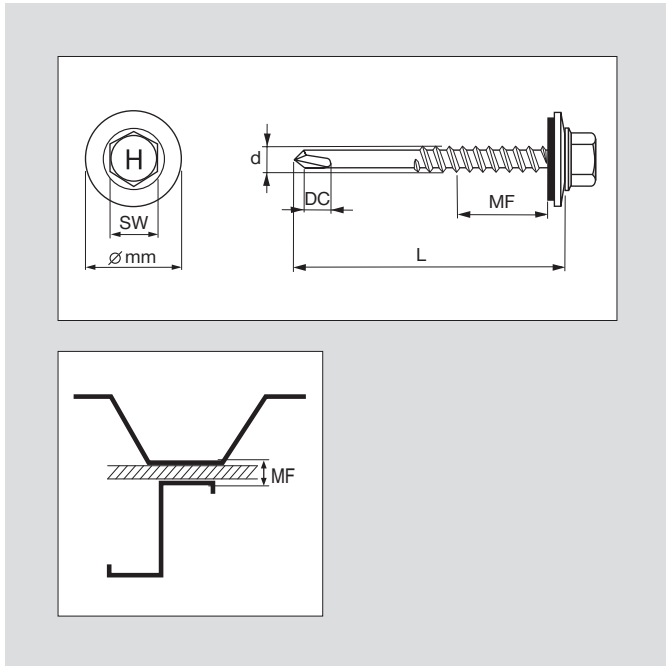
Ordering description	Drilling capacity range (DC)	Thickness fastened range (MF)	Screw diameter (d)	Screw length (L)	Washer size	EPDM-thickness	Screw drive/recess type	Sales quantity	Item number
Self-drill screw S-MD51Z 4,8X19	1.2 - 2.75 mm	1.2 - 8 mm	4.8 mm	19 mm	16 mm	2 mm	Hexagon 8	500 pc	219032
Self-drill screw S-MD51Z 6,3X19	1.2 - 3 mm	1.2 - 6 mm	6.3 mm	19 mm	16 mm	2 mm	Hexagon 3/8	500 pc	219034

Reference:

- More Information see approval ETA-10/0182 (Chapter 16)

5.4.3 Carbon steel self-drilling Screw (Ø16) S-MD 51 LZ

Carbon Steel Self-Drilling Screw with 16 mm sealing washer for light applications



5

Ordering description	Drilling capacity range (DC)	Thickness fastened range (MF)	Screw diameter (d)	Screw length (L)	Washer size	EPDM thickness	Screw drive/recess type	Sales quantity	Item number
Self-drill screw S-MD51LZ 4,8X38	1.2 - 2.75 mm	1.2 - 13 mm	4.8 mm	38 mm	16 mm	2 mm	Hexagon 8	250 pc	252801

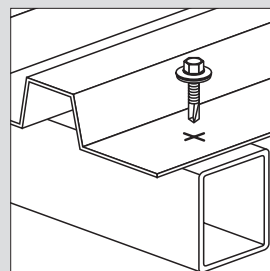
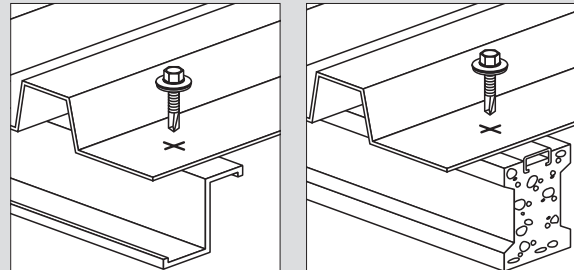
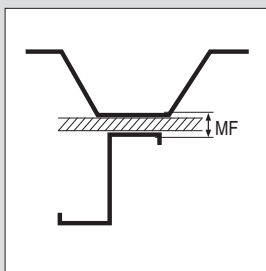
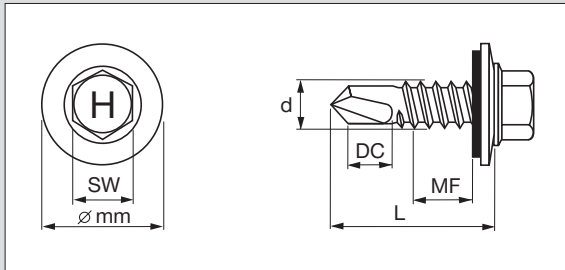
Reference:

- Technical data see chapter 16.9

5.4.4 Carbon steel self-drilling Screw (Ø16) S-MD 53 Z



Carbon Steel Self-Drilling Screw with 16 mm sealing washer for light and medium applications



Ordering description	Reference	Drilling capacity range (DC)	Thickness fastened range (MF)	Screw diameter (d)	Screw length (L)	Washer size	EPDM thickness	Screw drive/recess type	Sales quantity	Item number
Self-drill screw S-MD53Z 4,8X19	Without RT and PS	2.1 - 4.5 mm	2.1 - 6 mm	4.8 mm	19 mm	16 mm	2 mm	Hexagon 8	500 pc	219035
Self-drill screw S-MD53Z 4,8X32	Without RT and PS	2.1 - 4.5 mm	2.1 - 20 mm	4.8 mm	32 mm	16 mm	2 mm	Hexagon 8	1500 pc	224612
Self-drill screw S-MD53Z 5,5x19		2.6 - 6 mm	2.6 - 4 mm	5.5 mm	19 mm	16 mm	2 mm	Hexagon 8	500 pc	413440
Self-drill screw S-MD53Z 5,5x25		2.6 - 6 mm	2.6 - 10 mm	5.5 mm	25 mm	16 mm	2 mm	Hexagon 8	500 pc	413441
Self-drill screw S-MD53Z 5,5x32		2.6 - 6 mm	2.6 - 17 mm	5.5 mm	32 mm	16 mm	2 mm	Hexagon 8	500 pc	413442
Self-drill screw S-MD53Z 5,5x38		2.6 - 6 mm	2.6 - 23 mm	5.5 mm	38 mm	16 mm	2 mm	Hexagon 8	250 pc	413443
Self-drill screw S-MD53Z 5,5x50		2.6 - 6 mm	2.6 - 35 mm	5.5 mm	50 mm	16 mm	2 mm	Hexagon 8	250 pc	413444
Self-drill screw S-MD53Z 6,3x19		2.6 - 6 mm	2.6 - 4 mm	6.3 mm	19 mm	16 mm	2 mm	Hexagon 8	500 pc	413445
Self-drill screw S-MD53Z 6,3x25		2.6 - 6 mm	2.6 - 10 mm	6.3 mm	25 mm	16 mm	2 mm	Hexagon 8	500 pc	413446
Self-drill screw S-MD53Z 6,3x32		2.6 - 6 mm	2.6 - 17 mm	6.3 mm	32 mm	16 mm	2 mm	Hexagon 8	500 pc	413447
Self-drill screw S-MD53Z 6,3x38		2.6 - 6 mm	2.6 - 23 mm	6.3 mm	38 mm	16 mm	2 mm	Hexagon 8	250 pc	413448
Self-drill screw S-MD53Z 6,3x50		2.6 - 6 mm	2.6 - 35 mm	6.3 mm	50 mm	16 mm	2 mm	Hexagon 8	250 pc	413449

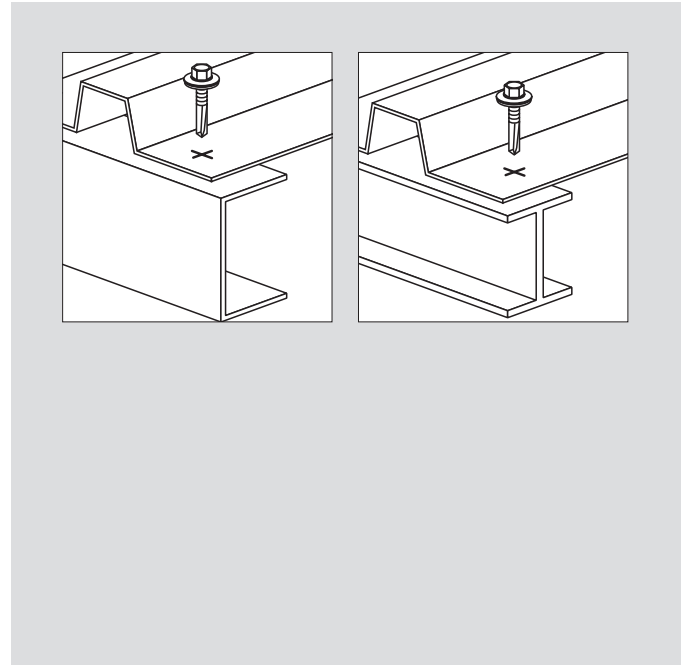
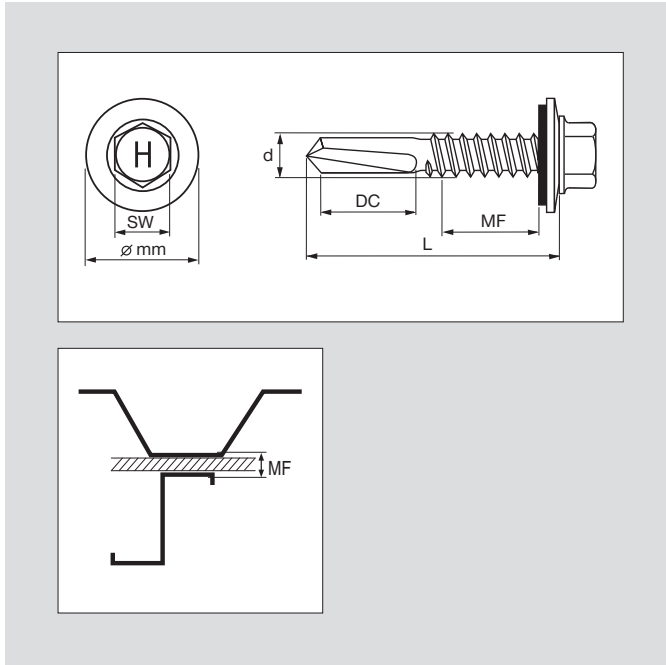
Reference:

- More Information see approval ETA-10/0182 (Chapter 16)

5.4.5 Carbon steel self-drilling Screw (Ø16) S-MD 55 GZ



Carbon steel self-drilling screw with 16 mm sealing washer for medium and heavy applications



5

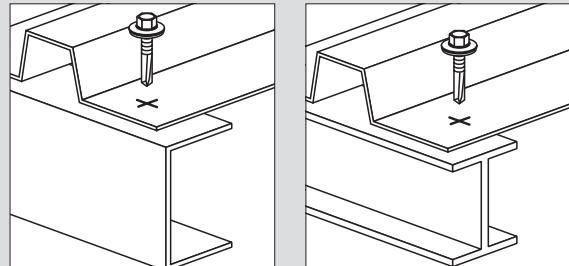
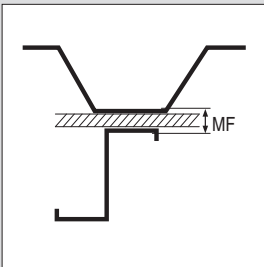
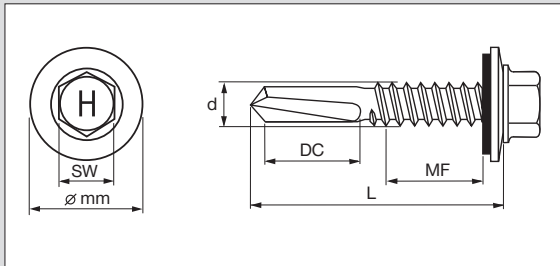
Ordering description	Drilling capacity range (DC)	Thickness fastened range (MF)	Screw diameter (d)	Screw length (L)	Washer size	EPDM thickness	Screw drive/recess type	Sales quantity	Item number
Self-drill screw S-MD55GZ 5,5x40	4.6 - 15 mm	4.6 - 15 mm	5.5 mm	40 mm	16 mm	2 mm	Hexagon 8	250 pc	2054489
Self-drill screw S-MD55GZ 5,5x52	4.6 - 15 mm	4.6 - 27 mm	5.5 mm	52 mm	16 mm	2 mm	Hexagon 8	250 pc	2054830
Self-drill screw S-MD55GZ 5,5x65	4.6 - 15 mm	4.6 - 40 mm	5.5 mm	65 mm	16 mm	2 mm	Hexagon 8	100 pc	2054831
Self-drill screw S-MD55GZ 5,5x82	4.6 - 15 mm	4.6 - 57 mm	5.5 mm	82 mm	16 mm	2 mm	Hexagon 8	100 pc	2054832
Self-drill screw S-MD55GZ 5,5x102	4.6 - 15 mm	4.6 - 77 mm	5.5 mm	102 mm	16 mm	2 mm	Hexagon 8	100 pc	2054833

Reference:

- More Information see approval ETA-10/0182 (Chapter 16)

5.4.6 Carbon steel self-drilling Screw (Ø19) S-MD 65 GZ

Carbon steel self-drilling screw with 19 mm sealing washer for medium and heavy applications



Ordering description	Drilling capacity range (DC)	Thickness fastened range (MF)	Screw diameter (d)	Screw length (L)	Washer size	EPDM thickness	Screw drive/recess type	Sales quantity	Item number
Self-drill screw S-MD65GZ 5,5x40	4.6 - 15 mm	4.6 - 15 mm	5.5 mm	40 mm	19 mm	2 mm	Hexagon 8	250 pc	2090661

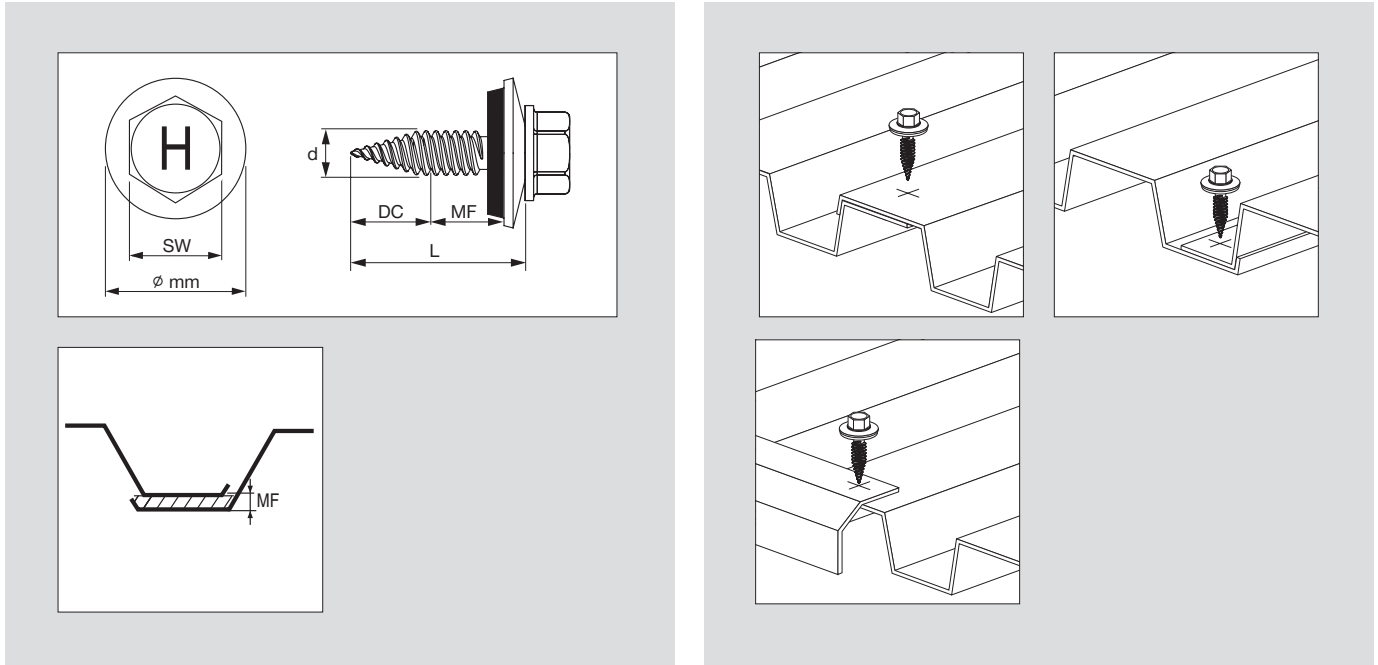
Reference:

- More Information see approval ETA-10/0182 (Chapter 16)

5.4.7
Colored carbon steel overlapping screw,
chipless (Ø14, 16)
S-MS 41 Z/51 Z RAL



The fastest chipless overlapping screw with 14 and 16 mm sealing washer



5

Ordering description	Drilling capacity range (DC)	Thickness fastened range (MF)	Screw diameter (d)	Screw length (L)	Washer size	EPDM thickness	Screw drive/recess type	Sales quantity	Item number
Self-drill screw S-MS41Z 4,8x20 RAL 9006	2 x 0.4 mm - 2 x 1.0 mm	0.8 - 4.0 mm	4.8 mm	20 mm	14 mm	2 mm	Hexagon 8	500 pc	2089264
Self-drill screw S-MS51Z 4,8x20 RAL 9010	2 x 0.4 mm - 2 x 1.0 mm	0.8 - 4.0 mm	4.8 mm	20 mm	16 mm	2 mm	Hexagon 8	500 pc	2089267
Self-drill screw S-MS41Z 4,8x20 RAL 9010	2 x 0.4 mm - 2 x 1.0 mm	0.8 - 4.0 mm	4.8 mm	20 mm	14 mm	2 mm	Hexagon 8	500 pc	2089265
Self-drill screw S-MS51Z 4,8x20 RAL 9006	2 x 0.4 mm - 2 x 1.0 mm	0.8 - 4.0 mm	4.8 mm	20 mm	16 mm	2 mm	Hexagon 8	500 pc	2089266

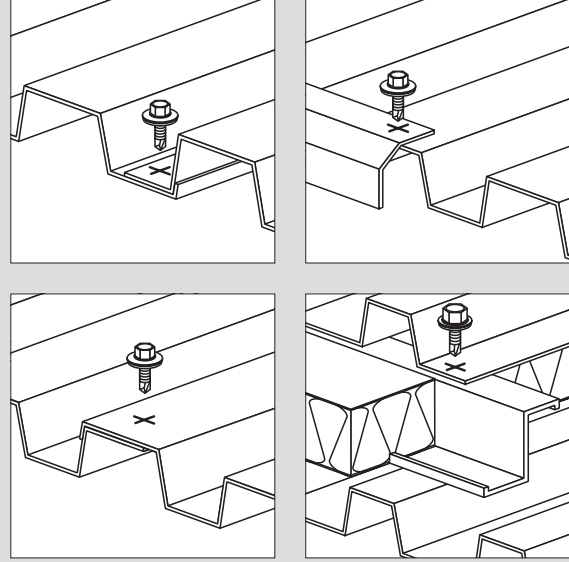
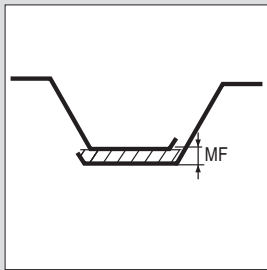
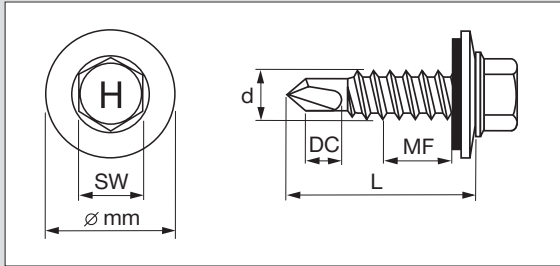
Reference:

- The screws can be processed without a depth gauge and without torque limitation. They are deliberately and systematically overtorqued
- More Information see approval Z-14.1-4 and Z-14.1-537 (Chapter 16)

5.4.8 Colored carbon self-drilling Screw (Ø16) S-MD 51 Z RAL



Carbon steel self-drilling screw with 16 mm sealing washer for light applications



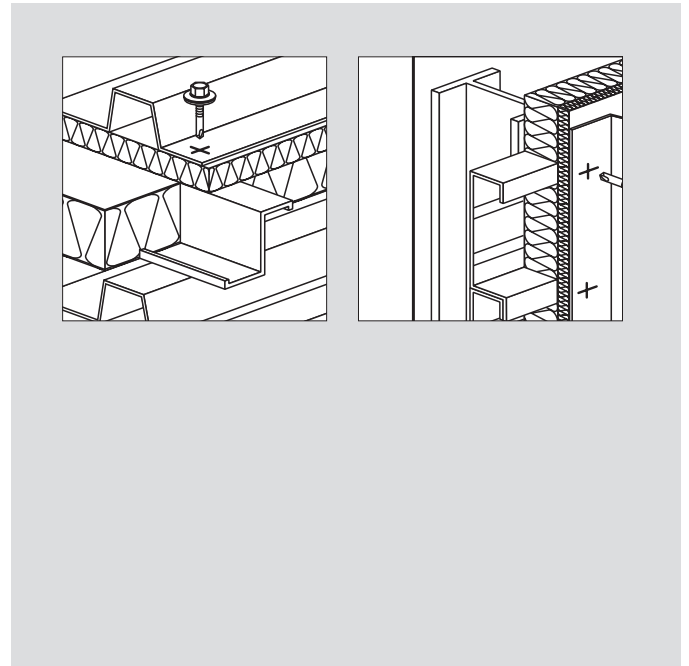
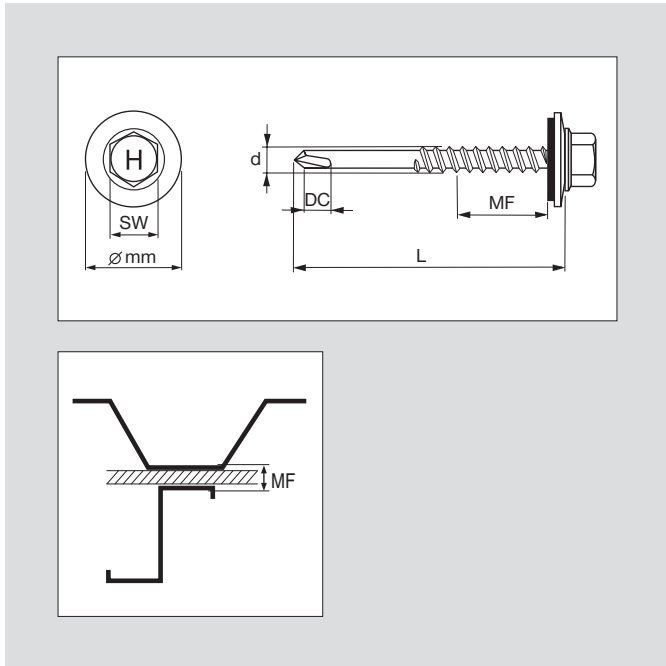
Ordering description	Drilling capacity range (DC)	Thickness fastened range (MF)	Screw diameter (d)	Screw length (L)	Washer size	EPDM thickness	Screw drive/recess type	Sales quantity	Item number
Self-drill screw S-MD 51 Z 4,8x19 RAL9006	1.2 - 2.75 mm	1.2 - 8 mm	4.8 mm	19 mm	16 mm	2 mm	Hexagon 8	500 pc	224614
Self-drill screw S-MD 51 Z 4,8x19 RAL9010	1.2 - 2.75 mm	1.2 - 8 mm	4.8 mm	19 mm	16 mm	2 mm	Hexagon 8	500 pc	224613

Reference:

- More Information see approval ETA-10/0182 (Chapter 16)

5.4.9 Colored carbon self-drilling Screw (Ø16) S-MD 51 LZ RAL

Carbon steel self-drilling screw with 16mm sealing washer for light applications



5

Ordering description	Drilling capacity range (DC)	Thickness fastened range (MF)	Screw diameter (d)	Screw length (L)	Washer size	EPDM thickness	Screw drive/recess type	Sales quantity	Item number
Self-drill screw S-MD 51 LZ 4,8x38 RAL9006	1.2 - 2.75 mm	1.2 - 13 mm	4.8 mm	38 mm	16 mm	2 mm	Hexagon 8	250 pc	258791
Self-drill screw S-MD 51 LZ 4,8x38 RAL9010	1.2 - 2.75 mm	1.2 - 13 mm	4.8 mm	38 mm	16 mm	2 mm	Hexagon 8	250 pc	258790

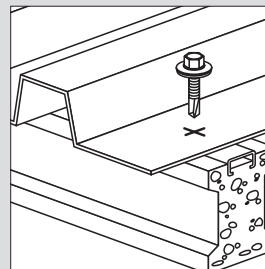
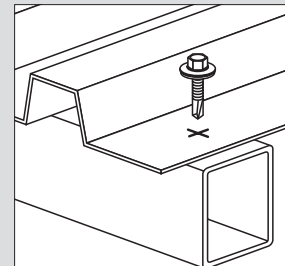
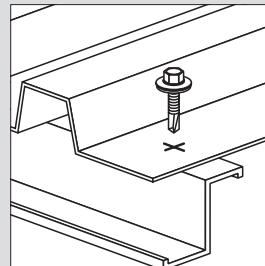
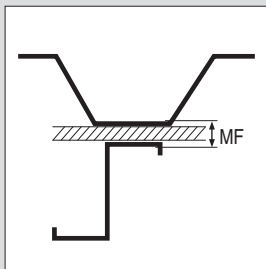
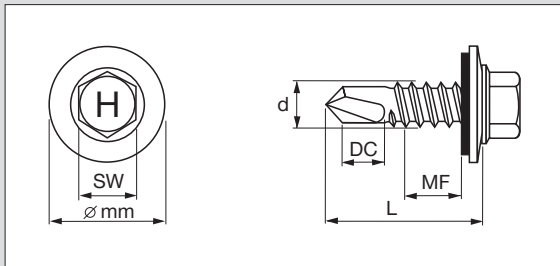
Reference:

- Technical data see chapter 16.9

5.4.10 Colored carbon self-drilling Screw (Ø16) S-MD 53 Z RAL



Carbon Steel Self-Drilling Screw with 16 mm sealing washer for light and medium applications



Ordering description	Drilling capacity range (DC)	Thickness fastened range (MF)	Screw diameter (d)	Screw length (L)	Washer size	EPDM thickness	Screw drive/recess type	Sales quantity	Item number
Self-drill screw S-MD53Z 5,5x25 RAL9006	2.6 - 6 mm	2.6 - 10 mm	6 mm	25 mm	16 mm	2 mm	Hexagon 8	500 pc	413320
Self-drill screw S-MD53Z 5,5x25 RAL9010	2.6 - 6 mm	2.6 - 10 mm	6 mm	25 mm	16 mm	2 mm	Hexagon 8	500 pc	413319

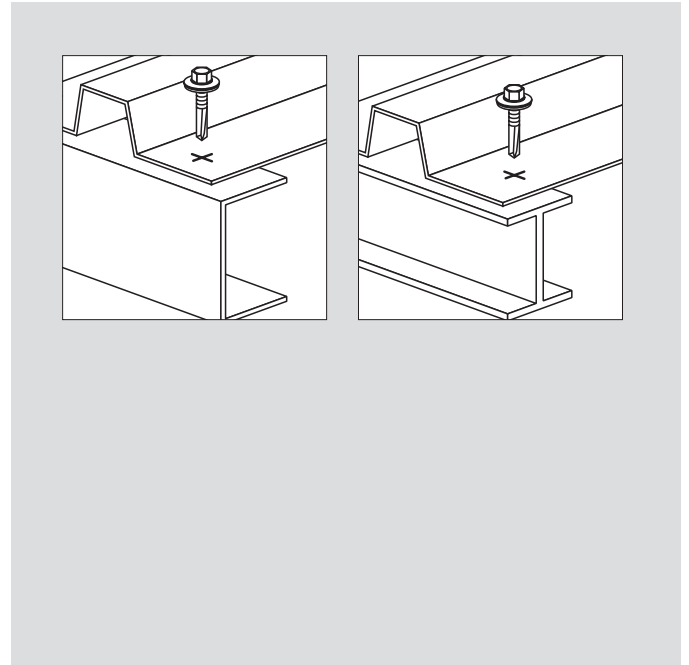
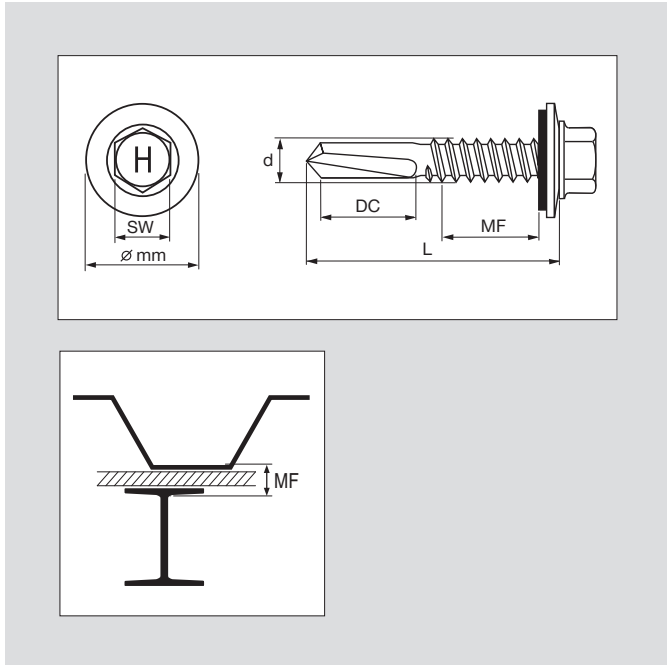
Reference:

- More Information see approval ETA-10/0182 (Chapter 16)

5.4.11
Colored carbon self-drilling Screw (Ø16)
S-MD 55 GZ RAL



Carbon steel self-drilling screw with 16 mm sealing washer for medium and heavy applications



5

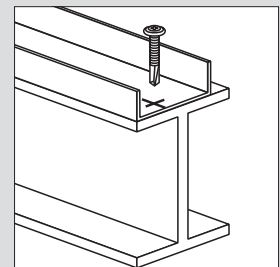
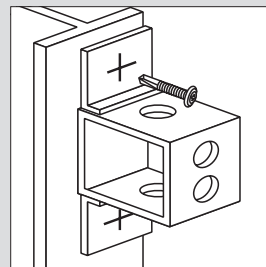
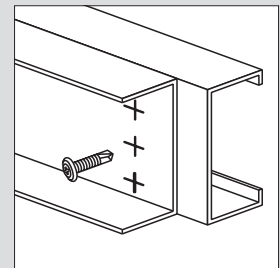
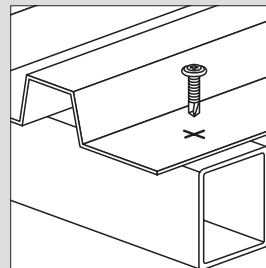
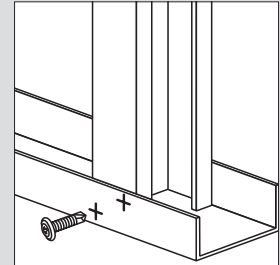
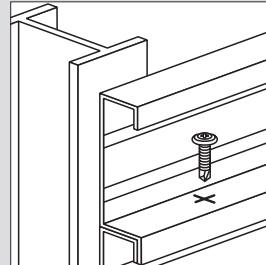
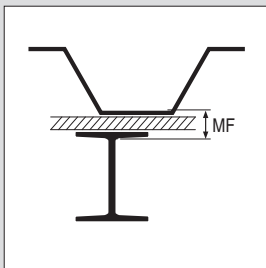
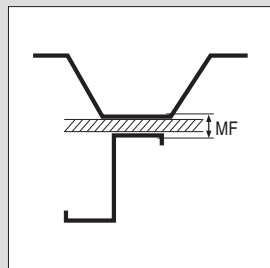
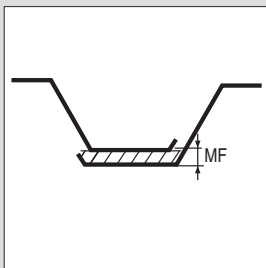
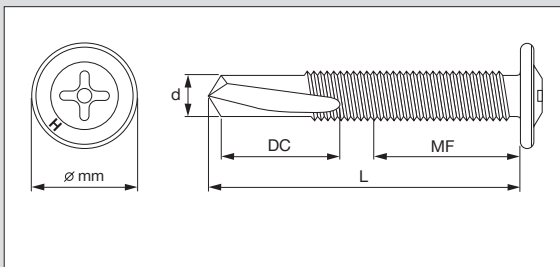
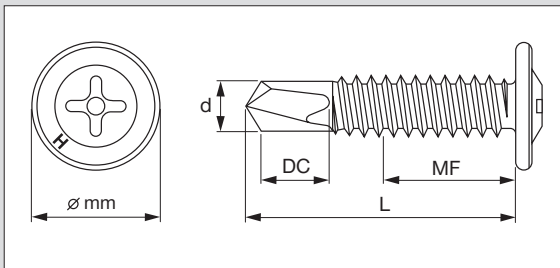
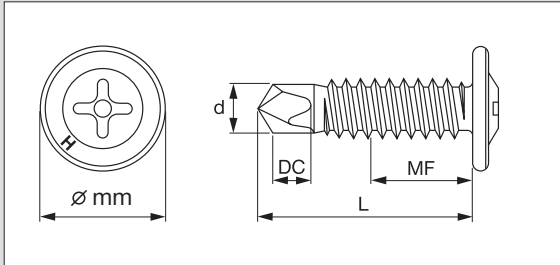
Ordering description	Drilling capacity range (DC)	Thickness fastened range (MF)	Screw diameter (d)	Screw length (L)	Washer size	EPDM thickness	Screw drive/recess type	Sales quantity	Item number
Self-drill screw S-MD55GZ 5,5x40 RAL9010	4.6 - 15 mm	4.6 - 15 mm	5.5 mm	40 mm	16 mm	2 mm	Hexagon 8	250 pc	2054834
Self-drill screw S-MD55GZ 5,5x40 RAL9006	4.6 - 15 mm	4.6 - 15 mm	5.5 mm	40 mm	16 mm	2 mm	Hexagon 8	250 pc	2054835

Reference:

- More Information see approval ETA-10/0182 (Chapter 16)

5.5 Carbon steel self-drilling screw S-MD 01/S-MD 03/S-MD 05 ZW

The carbon steel waferhead screw for fastening metal sheets to steel structures



Ordering description	Drilling capacity range (DC)	Thickness fastened range (MF)	Screw diameter (d)	Screw length (L)	Schraubenkopf- \varnothing	Screw drive/recess type	Sales quantity	Item number
Self-drill screw S-MD01ZW 5,5x19	1.2 - 3 mm	1.2 - 7.5 mm	5.5 mm	19 mm	11 mm	PH #2	1000 pc	408761
Self-drill screw S-MD03ZW 5,5x25	2.6 - 6 mm	2.6 - 12 mm	5.5 mm	25 mm	11 mm	PH #2	1000 pc	408762
Self-drill screw S-MD05ZW 5,5x40	4.6 - 12 mm	4.6 - 18 mm	5.5 mm	40 mm	12.5 mm	PH #3	500 pc	408763

