

HILTI

SF(H) 18-A

Operating instructions

en

Mode d'emploi

fr

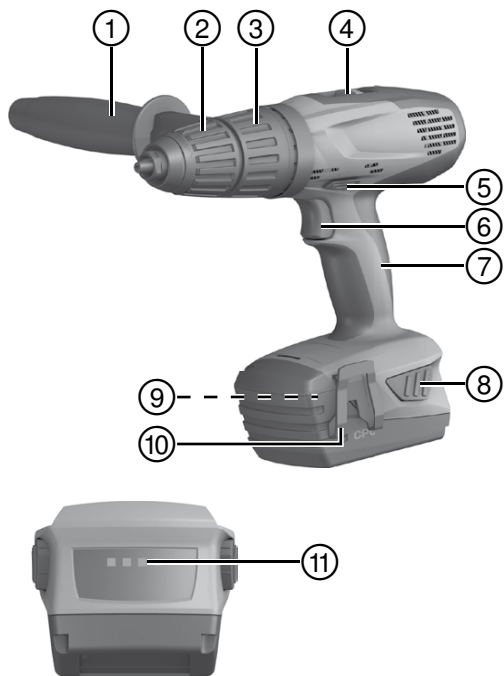
Manual de instrucciones

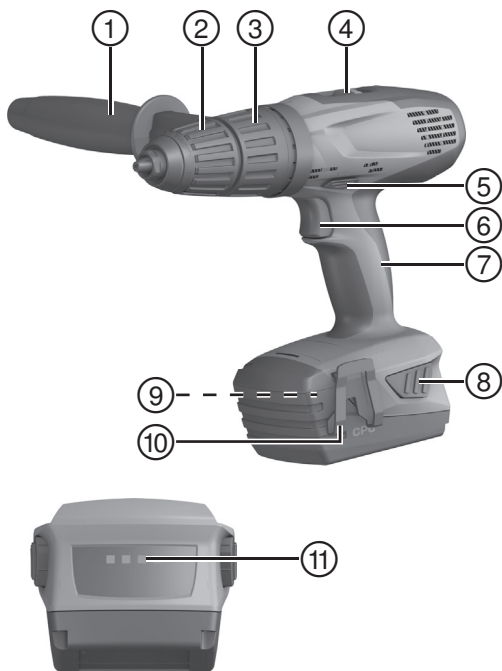
es

Manual de instruções

pt



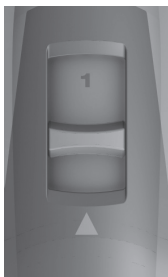




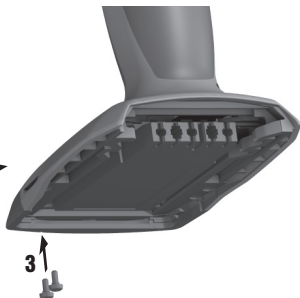
2**3**

4**5**

6



7



ORIGINAL OPERATING INSTRUCTIONS

SFH 18-A cordless drill / driver

It is essential that the operating instructions are read before the power tool is operated for the first time.

Always keep these operating instructions together with the power tool.

Ensure that the operating instructions are with the power tool when it is given to other persons.

en

Contents

1	General information	2
2	Safety instructions	3
3	Description	8
4	Technical data	10
5	Before use	11
6	Operation	12
7	Care and maintenance	14
8	Troubleshooting	15
9	Disposal	16
10	Manufacturer's warranty - tools	17

1 These numbers refer to the illustrations. You can find the illustrations at the beginning of the operating instructions.

In these operating instructions, the designation "power tool" always refers to the SFH 18-A cordless hammer drill / driver with battery fitted.

Product overview **1**

- ① Side handle
- ② Keyless chuck
- ③ Setting ring for torque, drilling and hammer drilling
- ④ 2-speed gear selector switch
- ⑤ Forward / reverse selector switch with transport lock
- ⑥ Control switch (with electronic speed control)
- ⑦ Grip

- ⑧ Release buttons with additional function (charge status display activation)

- ⑨ Type identification plate

- ⑩ Belt hook (optional)

- ⑪ Charge status and fault display (Li-ion battery)

en

1 General information

1.1 Safety notices and their meaning

DANGER

Draws attention to imminent danger that will lead to serious bodily injury or fatality.

WARNING

Draws attention to a potentially dangerous situation that could lead to serious personal injury or fatality.

CAUTION

Draws attention to a potentially dangerous situation that could lead to slight personal injury or damage to the equipment or other property.

NOTE

Draws attention to an instruction or other useful information.

1.2 Explanation of the pictograms and other information

Warning signs



General warning

Obligation signs



Read the operating instructions before use.

Symbols



Direct current



Rated speed under
no load



Revolutions per
minute



Revolutions per
minute



Hammer drilling



Drilling without
hammering

en

Location of identification data on the power tool

The type designation can be found on the type identification plate at the base of the power tool and the serial number on the side of the casing. Make a note of this data in your operating instructions and always refer to it when making an enquiry to your Hilti representative or service department.

Type:

Generation: 02

Serial no.:

2 Safety instructions

NOTE

The safety rules in section 2.1 contain all general safety rules for power tools which, in accordance with the applicable standards, must be listed in the operating instructions. Accordingly, some of the rules listed may not be relevant to this tool.

2.1 General power tool safety warnings

- a)  **WARNING**

Read all safety warnings and instructions. Failure to follow the warnings and instructions may result in electric shock, fire and/or serious injury. **Save all warnings and instructions for future reference.** The term “power tool” in the warnings refers to your mains-operated (corded) power tool or battery-operated (cordless) power tool.

2.1.1 Work area safety

- a) **Keep work area clean and well lit.** Cluttered or dark areas invite accidents.
- b) **Do not operate power tools in explosive atmospheres, such as in the presence of flammable liquids, gases or dust.** Power tools create sparks which may ignite the dust or fumes.
- c) **Keep children and bystanders away while operating a power tool.** Distractions can cause you to lose control.

2.1.2 Electrical safety

- a) **Power tool plugs must match the outlet. Never modify the plug in any way. Do not use any adapter plugs with earthed (grounded) power tools.** Unmodified plugs and matching outlets will reduce risk of electric shock.
- b) **Avoid body contact with earthed or grounded surfaces such as pipes, radiators, ranges and refrigerators.** There is an increased risk of electric shock if your body is earthed or grounded.
- c) **Do not expose power tools to rain or wet conditions.** Water entering a power tool will increase the risk of electric shock.
- d) **Do not abuse the cord. Never use the cord for carrying, pulling or unplugging the power tool. Keep cord away from heat, oil, sharp edges or moving parts.** Damaged or entangled cords increase the risk of electric shock.
- e) **When operating a power tool outdoors, use an extension cord suitable for outdoor use.** Use of a cord suitable for outdoor use reduces the risk of electric shock.
- f) **If operating a power tool in a damp location is unavoidable, use a residual current device (RCD) protected supply.** Use of an RCD reduces the risk of electric shock.

2.1.3 Personal safety

- a) **Stay alert, watch what you are doing and use common sense when operating a power tool. Do not use a power tool while you are tired or under the influence of drugs, alcohol or medication.** A moment of inattention while operating power tools may result in serious personal injury.
- b) **Use personal protective equipment. Always wear eye protection.** Protective equipment such as dust mask, non-skid safety shoes, hard hat, or hearing protection used for appropriate conditions will reduce personal injuries.
- c) **Prevent unintentional starting. Ensure the switch is in the off-position before connecting to power source and/or battery**

pack, picking up or carrying the tool. Carrying power tools with your finger on the switch or energising power tools that have the switch on invites accidents.

- d) **Remove any adjusting key or wrench before turning the power tool on.** A wrench or a key left attached to a rotating part of the power tool may result in personal injury.
- e) **Do not overreach. Keep proper footing and balance at all times.** This enables better control of the power tool in unexpected situations.
- f) **Dress properly. Do not wear loose clothing or jewellery. Keep your hair, clothing and gloves away from moving parts.** Loose clothes, jewellery or long hair can be caught in moving parts.
- g) **If devices are provided for the connection of dust extraction and collection facilities, ensure these are connected and properly used.** Use of dust collection can reduce dust-related hazards.

en

2.1.4 Power tool use and care

- a) **Do not force the power tool. Use the correct power tool for your application.** The correct power tool will do the job better and safer at the rate for which it was designed.
- b) **Do not use the power tool if the switch does not turn it on and off.** Any power tool that cannot be controlled with the switch is dangerous and must be repaired.
- c) **Disconnect the plug from the power source and/or the battery pack from the power tool before making any adjustments, changing accessories, or storing power tools.** Such preventive safety measures reduce the risk of starting the power tool accidentally.
- d) **Store idle power tools out of the reach of children and do not allow persons unfamiliar with the power tool or these instructions to operate the power tool.** Power tools are dangerous in the hands of untrained users.
- e) **Maintain power tools. Check for misalignment or binding of moving parts, breakage of parts and any other condition that may affect the power tool's operation. If damaged, have the power tool repaired before use.** Many accidents are caused by poorly maintained power tools.
- f) **Keep cutting tools sharp and clean.** Properly maintained cutting tools with sharp cutting edges are less likely to bind and are easier to control.
- g) **Use the power tool, accessories and tool bits etc. in accordance with these instructions, taking into account the working conditions and the work to be performed.** Use of the power tool for operations different from those intended could result in a hazardous situation.

2.1.5 Battery tool use and care

- a) **Recharge only with the charger specified by the manufacturer.** A charger that is suitable for one type of battery pack may create a risk of fire when used with another battery pack.
- b) **Use power tools only with specifically designated battery packs.** Use of any other battery packs may create a risk of injury and fire.
- c) **When battery pack is not in use, keep it away from other metal objects, like paper clips, coins, keys, nails, screws or other small metal objects, that can make a connection from one terminal to another.** Shorting the battery terminals together may cause burns or a fire.
- d) **Under abusive conditions, liquid may be ejected from the battery, avoid contact. If contact accidentally occurs, flush with water. If liquid contacts eyes, additionally seek medical help.** Liquid ejected from the battery may cause irritation or burns.

2.1.6 Service

- a) **Have your power tool serviced by a qualified repair person using only identical replacement parts.** This will ensure that the safety of the power tool is maintained.

2.2 Drill safety warnings

- a) **Wear ear protectors when impact drilling.** Exposure to noise can cause hearing loss.
- b) **Use auxiliary handle(s), if supplied with the tool.** Loss of control can cause personal injury.
- c) **Hold power tools by insulated gripping surfaces when performing an operation where the cutting tool may contact hidden wiring.** Contact with a "live" wire will make exposed metal parts of the tool "live" and shock the operator.

2.3 Additional safety rules

2.3.1 Personal safety

- a) **Modification of the machine or tampering with its parts is not permissible.**
- b) **Hold power tool by insulated gripping surfaces, when performing an operation where the fastener may contact hidden wiring.** Fasteners contacting a "live" wire may make exposed metal parts of the power tool "live" and could give the operator an electric shock.
- c) **Keep the grips dry, clean and free from oil and grease.**

- d) **Improve the blood circulation in your fingers by relaxing your hands and exercising your fingers during breaks between working.**
- e) **Avoid touching rotating parts. Switch the power tool on only after bringing it into position at the workpiece.** Touching rotating parts, especially rotating insert tools, may lead to injury.
- f) **Activate the safety lock (forward / reverse switch in the middle position) before storing or transporting the power tool.**
- g) **The appliance is not intended for use by debilitated persons who have received no special training. Keep the appliance out of reach of children.**
- h) Dust from materials, such as paint containing lead, some wood species, concrete / masonry / stone containing silica, and minerals as well as metal, may be harmful. Contact with or inhalation of the dust may cause allergic reactions and/or respiratory or other diseases to the operator or bystanders. Certain kinds of dust are classified as carcinogenic such as oak and beech dust, especially in conjunction with additives for wood conditioning (chromate, wood preservative). Material containing asbestos must only be treated by specialists. **Where the use of a dust-extraction device is possible it shall be used. To achieve a high level of dust collection, use a suitable dust extractor. When indicated wear a respirator appropriate for the type of dust generated. Ensure that the workplace is well ventilated. Follow national requirements for the materials you want to work with.**
- i) **The user and any other persons in the vicinity must wear ANSI Z87.1-approved eye protection, a hard hat, ear protection, protective gloves and breathing protection while the machine is in use.**

en

2.3.2 Careful use of the power tool

- a) **Secure the workpiece. Use clamps or a vice to secure the workpiece.** The workpiece is thus held more securely than by hand and both hands remain free to operate the power tool.
- b) **Check that the insert tools used are compatible with the chuck system and that they are secured in the chuck correctly.**
- c) **Large and heavy insert tools must only be operated in first gear.** There is otherwise a risk that the tool will be damaged when it is switched off or, under unfavorable conditions, the chuck might be detached.

2.3.3 Careful use of the cordless tool

- a) **Ensure the switch is in the off position before inserting battery pack.** Inserting the battery pack into power tools that have the switch on invites accidents.

- b) **Do not expose batteries to high temperatures and keep them away from fire.** This presents a risk of explosion.
- c) **Do not disassemble, squash or incinerate batteries and do not subject them to temperatures over 80°C.** This presents a risk of fire, explosion or injury through contact with caustic substances.
- d) **Avoid ingress of moisture.** Ingress of moisture may cause a short circuit, resulting in burning injuries or fire.
- e) **Observe the special guidelines applicable to the transport, storage and use of Li-ion batteries.**
- f) **Avoid short circuiting the battery terminals. Before inserting the battery in the tool, make sure that the battery terminals and the terminals in the tool are free from foreign objects.** Short circuiting the battery terminals presents a risk of fire, explosion and chemical burns.
- g) **Do not charge or continue to use damaged batteries (e.g. batteries with cracks, broken parts, bent or pushed-in and/or pulled-out contacts).**
- h) If the battery is too hot to touch it may be defective. **Place the tool in a location where it can be kept under observation, well away from flammable materials, and allow it to cool down. Contact Hilti Service after the battery has cooled down.**

2.3.4 Electrical safety

Before beginning work, check the working area (e.g. using a metal detector) to ensure that no concealed electric cables or gas and water pipes are present. External metal parts of the power tool may become live, for example, when an electric cable is damaged accidentally. This presents a serious risk of electric shock.

3 Description

3.1 Use of the product as directed

The SFH 18-A is a hand-held, cordless hammer drill/driver for driving and removing screws, for drilling in steel, wood and plastic and for hammer drilling in lightweight concrete and masonry.

Do not use the battery as a power source for other unspecified appliances. To avoid the risk of injury, use only genuine Hilti accessories and insert tools. The power tool is designed for professional use and may be operated, serviced and maintained only by trained, authorized personnel. This personnel must be informed of any special hazards that may be encountered. The power tool and its ancillary equipment may present hazards when used incorrectly by untrained personnel or when used not as directed.

3.2 Standard equipment includes:

- 1 Power tool
- 1 Side handle
- 1 Operating instructions

NOTE

Approved accessories are available from your Hilti Center or can be ordered online at www.hilti.com.

3.3 Additional items required for operating the tool

A suitable battery of the specified type (see table in the Technical Data section) and a suitable battery charger from the C 436 series.

3.4 Charge state and overheating indicator display on the Li-ion battery

When the lithium-ion battery is in use, the charge status can be indicated by gently pressing one of the battery release buttons (press until resistance is felt - do not release the battery). The display on the rear of the battery provides the following information:

LEDs light constantly	LEDs blink	Charge status C
LED 1, 2, 3, 4	-	$C \geq 75 \%$
LED 1, 2, 3	-	$50 \% \leq C < 75 \%$
LED 1, 2	-	$25 \% \leq C < 50 \%$
LED 1	-	$10 \% \leq C < 25 \%$
-	LED 1	$C < 10 \%$
-	LED 1	The battery has overheated

NOTE

Indication of the charge status is not possible while the power tool is in operation or immediately after operation. If the battery charge status LEDs flash, please refer to the information given in the Troubleshooting section.

3.5 Power tool overloading and overheating indicator

The power tool is equipped with an electronic protection system to prevent overloading and overheating. The power tool switches itself off automatically in the event of overloading and overheating. After releasing the control

switch, the power tool may not restart immediately when the switch is pressed again (while the power tool is cooling down).

LEDs light constantly	LEDs blink	Power tool status
-	LED 1, 2, 3, 4	Power tool over-loaded or over-heated

en

4 Technical data

Right of technical changes reserved.

Power tool	SFH 18-A
Rated voltage (DC voltage)	21.6 V
Weight of power tool	2.9 kg (6.39 lb)
Speed in 1st gear	0...370/min
Speed in 2nd gear	0...2,140/min
Torque with tool set to drilling symbol (soft/flexible joint)	Max. 50 Nm (444 in/lbs)
Torque range (15 settings)	2...12 Nm (12 in/lbs...108 in/lbs)
Hammering speed when drilling in 3rd gear	39,000/min
Hammer drilling in masonry (max. length 100 mm)	∅ 4...12 mm (1/8"...1/2")
Keyless chuck clamping range	∅ 1.5...13 mm (1/16" to 1/2")
Drilling diameter range in wood (soft)	∅ 1.5...32 mm (1/16" to 1 1/4")
Drilling diameter range in wood (hard)	∅ 1.5...20 mm (1/16" to 3/4")
Drilling dia. range in metal	∅ 1.5...13 mm (1/16" to 1/2")

Battery	B 18/3.3 Li-Ion	B 18/2.6 Li-Ion (01)	B 18/2.6 Li-Ion (02)	B 18/5.2 Li-Ion	B 18/1.6 Li-Ion
Rated voltage	21.6 V	21.6 V	21.6 V	21.6 V	21.6 V
Capacity	3.3 Ah	2.6 Ah	2.6 Ah	5.2 Ah	1.6 Ah
Energy content	71.28 Wh	56.16 Wh	56.16 Wh	112.32 Wh	34.56 Wh

Battery	B 18/3.3 Li-Ion	B 18/2.6 Li-Ion (01)	B 18/2.6 Li-Ion (02)	B 18/5.2 Li-Ion	B 18/1.6 Li-Ion
Weight	0.78 kg (1.72 lb)	0.78 kg (1.72 lb)	0.48 kg (1.06 lb)	0.78 kg (1.72 lb)	0.48 kg (1.06 lb)
No. of cells	12	12	6	12	6

en

5 Before use

5.1 Charging a previously used battery

Ensure that the outer surfaces of the battery are clean and dry before inserting the battery in the corresponding charger.

Read the operating instructions for the charger for further information about the charging procedure.

5.2 Inserting the battery 2

CAUTION

Before fitting the battery, check that the power tool is switched off and that the safety lock is engaged (forward/reverse switch in the middle position). Use only the Hilti batteries approved for use with this power tool.

- CAUTION A falling battery may present a risk of injury to yourself and others.**

Check that the battery is securely seated in the tool.

5.3 Removing the battery 3

5.4 Fitting and adjusting the side handle 4

DANGER

Check that the clamping band is engaged in the groove provided on the power tool and that the side handle is tightened securely.

5.5 Transport and storage of batteries

Pull the battery out of the locked position (working position) and move it into the first latching position (transport position).

Observe national and international transport regulations when shipping batteries (transportation by road, rail, sea or air).

6 Operation

CAUTION

The tool may get hot during use. **Wear protective gloves.**

CAUTION

en The power tool may suddenly swing to the side (rotate about its own axis) when drilling, hammer drilling or screwdriving. Always use the power tool with the side handle fitted and hold it securely with both hands.

CAUTION

To avoid injuries caused by the insert tool, wear protective gloves when changing insert tools.

6.1 Setting forward or reverse rotation

NOTE

The forward / reverse switch is used to select the direction of rotation of the drive spindle. An interlock prevents switching while the motor is running. The control switch is locked when the forward / reverse switch is in the middle position. Push the forward / reverse switch to the left (when the power tool is held in the working direction) to select forward rotation. Push the forward / reverse switch to the right (when the power tool is held in the working direction) to select reverse rotation.

6.2 Speed selection using the 2-speed gear switch

WARNING

Large and heavy insert tools must only be operated in first gear. There is otherwise a risk that the tool will be damaged when it is switched off or, under unfavorable conditions, the chuck might be detached.

NOTE

The mechanical 2-speed gear switch can be used to select the speed range required. Speed with a fully-charged battery: 1st gear: 0-370 /min or 2nd gear: 0-2140 /min.

6.3 Switching on / off

Speed of rotation can be controlled smoothly up to maximum speed by pressing the control switch slowly.

6.4 Fitting the drill bit

NOTE

The connection end of the insert tool must be clean and lightly greased. Use Hilti grease as it is compatible with the tool's sealing system.

1. Insert the drill bit in the keyless chuck and then turn the chuck firmly by hand until several clicks are heard.
2. Check that the drill bit is held securely.

6.5 Removing the drill bit

1. Open the keyless chuck.
2. Pull the insert tool out of the chuck.

en

6.6 Drilling

CAUTION

Use clamps or a vice to secure the workpiece. The workpiece is thus held more securely than by hand and both hands remain free to operate the power tool.

1. Turn the torque and operating mode setting ring to the drilling symbol.
2. Move the forward / reverse switch to the “Forward” position.

6.7 Hammer drilling

1. Turn the torque and operating mode setting ring to the hammer drilling symbol.
2. Move the forward / reverse switch to the “Forward” position.

6.8 Screwdriving

6.8.1 Fitting the bit holder / bit

1. Open the keyless chuck.
2. Insert the bit adapter in the keyless chuck and then turn the chuck firmly by hand until tight.
3. Check that the bit adapter is held securely (check by pulling).
4. Fit the bit in the bit holder.

6.8.2 Screwdriving

1. Turn the torque, drilling and hammer drilling setting ring to the required torque setting.
2. Set the forward / reverse switch to the desired direction of rotation.

6.8.3 Removing the bit / bit holder

1. Remove the bit from the bit holder.
2. Open the keyless chuck.
3. Remove the bit adapter.

6.9 Belt hook 7

CAUTION

Check that the belt hook is fitted securely before beginning work.

The belt hook allows the power tool to be attached to a belt worn by the operator. The belt hook can also be fitted to the other side of the power tool for use by left-handed persons.

en

7 Care and maintenance

WARNING

Repairs to the electrical section of the power tool may be carried out only by trained electrical specialists.

7.1 Care of the power tool

CAUTION

Keep the power tool, especially its grip surfaces, clean and free from oil and grease. Do not use cleaning agents which contain silicone.

Never operate the power tool when the ventilation slots are blocked. Clean the ventilation slots carefully using a dry brush. Do not permit foreign objects to enter the interior of the power tool. Clean the outside of the power tool at regular intervals with a slightly damp cloth. Do not use a spray, steam pressure cleaning equipment or running water for cleaning. This may negatively affect the electrical safety of the power tool.

7.2 Care of the Li-ion battery

NOTE

Battery performance drops at low temperatures.

NOTE

Store the battery in a cool and dry place.

In order to achieve maximum battery life, stop using the battery as soon as a significant drop in battery performance is noticed.

NOTE

- If use continues, further battery discharge will be stopped automatically before the battery cells suffer damage.
- Charge the batteries using the specified and approved Hilti battery chargers for Li-ion batteries.

8 Troubleshooting

Fault	Possible cause	Remedy
The power tool doesn't run.	The battery is discharged or is not pushed all the way in.	The battery must be heard to engage with a double click or, respectively, needs to be charged.
	Electrical fault.	Remove the battery from the tool and contact Hilti Service.
The power tool doesn't run and all 4 LEDs blink.	The power tool has been overloaded.	Release the control switch and press it again.
	The overheating prevention cut-out has been activated.	Allow the power tool to cool down. Clean the ventilation slots.
The power tool doesn't run and 1 LED blinks.	The battery is discharged.	Change the battery and charge the empty battery.
	The battery is too hot or too cold.	Bring the battery to the recommended working temperature.
No hammering action.	The torque and operating mode setting ring are not set to the hammer drilling symbol.	Turn the torque and operating mode setting ring to the hammer drilling symbol.
The on / off switch can't be pressed, i.e. the switch is locked.	The forward / reverse switch is in the middle position (transport lock engaged).	Push the forward / reverse switch to the left or right.
The battery runs down more quickly than usual.	Very low ambient temperature.	Allow the battery to warm up slowly to room temperature.
The battery doesn't engage with an audible double click.	The retaining lugs on the battery are dirty.	Clean the retaining lugs and push the battery in until it engages. Contact Hilti Service if the problem persists.

en

Fault	Possible cause	Remedy
The power tool or the battery gets very hot.	Electrical fault.	Switch the tool off immediately, remove the battery and contact Hilti Service.
	The power tool has been overloaded (application limits exceeded).	Use the right power tool for the job (don't use a low-powered tool for heavy work).

9 Disposal

CAUTION

Improper disposal of the equipment may have serious consequences: the burning of plastic components generates toxic fumes which may present a health hazard. Batteries may explode if damaged or exposed to very high temperatures, causing poisoning, burns, acid burns or environmental pollution. Careless disposal may permit unauthorized and improper use of the equipment. This may result in serious personal injury, injury to third parties and pollution of the environment.

CAUTION

Dispose of defective batteries right away. Keep them out of reach of children. Do not disassemble or incinerate the batteries.

CAUTION

Batteries that have reached the end of their life must be disposed of in accordance with national regulations or returned to Hilti.



Most of the materials from which Hilti power tools or appliances are manufactured can be recycled. The materials must be correctly separated before they can be recycled. In many countries, Hilti has already made arrangements for taking back your old power tools or appliances for recycling. Please ask your Hilti customer service department or Hilti representative for further information.

10 Manufacturer's warranty - tools

Please contact your local Hilti representative if you have questions about the warranty conditions.

en

NOTICE ORIGINALE

SFH 18-A Visseuse-perceuse sans fil

fr

Avant de mettre l'appareil en marche, lire impérativement son mode d'emploi et bien respecter les consignes.

Le présent mode d'emploi doit toujours accompagner l'appareil.

Ne pas prêter ou céder l'appareil à un autre utilisateur sans lui fournir le mode d'emploi.

Sommaire

1	Consignes générales	19
2	Consignes de sécurité	20
3	Description	27
4	Caractéristiques techniques	28
5	Mise en service	29
6	Utilisation	30
7	Nettoyage et entretien	33
8	Guide de dépannage	34
9	Recyclage	35
10	Garantie constructeur des appareils	36

1 Les numéros renvoient aux illustrations. Les illustrations se trouvent au début de la notice d'utilisation.

Dans le présent mode d'emploi, « l'appareil » désigne toujours la visseuse perceuse à percussion sans fil SFH 18-A avec accu encliqueté.

Description du produit **1**

- ① Poignée latérale
- ② Mandrin à serrage rapide
- ③ Bague de réglage du couple de rotation, perçage et perçage à percussion
- ④ Commutateur à 2 vitesses
- ⑤ Inverseur du sens de rotation droite / gauche avec dispositif de blocage

- ⑥ Interrupteur de commande (avec variateur de vitesse électronique)

- ⑦ Poignée

- ⑧ Boutons de déverrouillage avec fonction supplémentaire d'activation de l'indicateur de l'état de charge

- ⑨ Plaquette signalétique

- ⑩ Patte d'accrochage (en option)

- ⑪ Affichage de l'état de charge et des défauts (accu Li-Ion)

fr

1 Consignes générales

1.1 Termes signalant un danger et leur signification

DANGER

Pour un danger imminent qui peut entraîner de graves blessures corporelles ou la mort.

AVERTISSEMENT

Pour attirer l'attention sur une situation pouvant présenter des dangers susceptibles d'entraîner des blessures corporelles graves ou la mort.

ATTENTION

Pour attirer l'attention sur une situation pouvant présenter des dangers susceptibles d'entraîner des blessures corporelles légères ou des dégâts matériels.

REMARQUE

Pour des conseils d'utilisation et autres informations utiles.

1.2 Explication des pictogrammes et autres symboles d'avertissement

Symboles d'avertissement



Avertissement
danger général

Symboles d'obligation



Lire le mode
d'emploi avant
d'utiliser l'appareil

fr

Symboles



Courant continu

n_0

Vitesse nominale à
vide

/min

Tours par minute

RPM

Tours par minute



Perçage à
percussion



Perçage sans
percussion

Emplacement des détails d'identification sur l'appareil

La désignation du modèle figure sur la plaque signalétique sous le pied de l'appareil et le numéro de série sur le côté du carter. Inscrire ces renseignements dans le mode d'emploi et toujours s'y référer pour communiquer avec notre représentant ou agence Hilti.

Type :

Génération : 02

N° de série :

2 Consignes de sécurité

REMARQUE

Les indications de sécurité du chapitre 2.1 contiennent toutes les indications générales de sécurité pour les appareils électriques qui, selon les normes applicables, doivent être spécifiées dans le présent mode d'emploi. Par conséquent, il est possible que certaines indications ne se rapportent pas à cet appareil.

2.1 Indications générales de sécurité pour les appareils électriques

a) AVERTISSEMENT

Lire et comprendre toutes les consignes de sécurité et instructions.

Le non-respect des consignes de sécurité et instructions indiquées ci-après peut entraîner un choc électrique, un incendie et / ou de graves blessures sur les personnes. **Les consignes de sécurité et instructions doivent être intégralement conservées pour les utilisations futures.**

La notion d'« outil électroportatif » mentionnée dans les consignes de sécurité se rapporte à des outils électriques raccordés au secteur (avec câble de raccordement) et à des outils électriques à batterie (sans câble de raccordement).

fr

2.1.1 Sécurité sur le lieu de travail

- Maintenez l'endroit de travail propre et bien éclairé.** Un lieu de travail en désordre ou mal éclairé augmente le risque d'accidents.
- N'utilisez pas l'outil électroportatif dans un environnement présentant des risques d'explosion et où se trouvent des liquides, des gaz ou poussières inflammables.** Les outils électroportatifs génèrent des étincelles risquant d'enflammer les poussières ou les vapeurs.
- Tenez les enfants et autres personnes éloignés durant l'utilisation de l'outil électroportatif.** En cas d'inattention vous risquez de perdre le contrôle de l'appareil.

2.1.2 Sécurité relative au système électrique

- La fiche de secteur de l'outil électroportatif doit être appropriée à la prise de courant. Ne modifiez en aucun cas la fiche. N'utilisez pas de fiches d'adaptateur avec des outils électroportatifs avec mise à la terre.** Les fiches non modifiées et les prises de courant appropriées réduisent le risque de choc électrique.
- Éviter le contact physique avec des surfaces mises à la terre tels que tuyaux, radiateurs, cuisinières et réfrigérateurs.** Il y a un risque élevé de choc électrique au cas où votre corps serait relié à la terre.
- N'exposez pas les outils électroportatifs à la pluie ou à l'humidité.** La pénétration d'eau dans un outil électroportatif augmente le risque d'un choc électrique.
- N'utilisez pas le câble à d'autres fins que celles prévues, n'utilisez pas le câble pour porter l'outil électroportatif ou pour l'accrocher ou encore pour le débrancher de la prise de courant. Maintenez le câble éloigné des sources de chaleur, des parties grasses, des bords tranchants ou des parties de l'appareil en rotation.** Un câble endommagé ou torsadé augmente le risque d'un choc électrique.

- e) **Au cas où vous utiliseriez l'outil électroportatif à l'extérieur, utilisez uniquement une rallonge homologuée pour les applications extérieures.** L'utilisation d'une rallonge électrique homologuée pour les applications extérieures réduit le risque d'un choc électrique.
- f) **Si l'utilisation de l'outil électroportatif dans un environnement humide ne peut pas être évitée, un interrupteur de protection contre les courants de court-circuit doit être utilisé.** L'utilisation d'un tel interrupteur de protection réduit le risque d'une décharge électrique.

2.1.3 Sécurité des personnes

- a) **Restez vigilant, surveillez ce que vous faites. Faites preuve de bon sens en utilisant l'outil électroportatif. N'utilisez pas l'outil électroportatif lorsque vous êtes fatigué ou après avoir consommé de l'alcool, des drogues ou avoir pris des médicaments.** Un moment d'inattention lors de l'utilisation de l'outil électroportatif peut entraîner de graves blessures sur les personnes.
- b) **Portez des équipements de protection. Portez toujours des lunettes de protection.** Le fait de porter des équipements de protection personnels tels que masque antipoussière, chaussures de sécurité antidérapantes, casque de protection ou protection acoustique suivant le travail à effectuer, réduit le risque de blessures.
- c) **Éviter une mise en service par mégarde. S'assurer que l'outil électroportatif est arrêté avant de le brancher à la source de courant et/ou au bloc-accu, de le prendre ou de le porter.** Le fait de porter l'outil électroportatif avec le doigt sur l'interrupteur ou de brancher l'appareil sur la source de courant lorsque l'interrupteur est en position de fonctionnement, peut entraîner des accidents.
- d) **Enlevez tout outil de réglage ou toute clé avant de mettre l'outil électroportatif en fonctionnement.** Une clé ou un outil se trouvant sur une partie en rotation peut causer des blessures.
- e) **Adoptez une bonne posture. Veillez à garder toujours une position stable et équilibrée.** Ceci vous permet de mieux contrôler l'outil électroportatif dans des situations inattendues.
- f) **Portez des vêtements appropriés. Ne portez pas de vêtements amples ni de bijoux. Maintenez cheveux, vêtements et gants éloignés des parties de l'appareil en rotation.** Des vêtements amples, des bijoux ou des cheveux longs peuvent être happés par des pièces en mouvement.
- g) **Si des dispositifs servant à aspirer ou à recueillir les poussières doivent être utilisés, vérifiez que ceux-ci sont effectivement raccordés et qu'ils sont correctement utilisés.** L'utilisation d'un dispositif d'aspiration peut réduire les risques dus aux poussières.

2.1.4 Utilisation et maniemment de l'outil électroportatif

- a) **Ne surchargez pas l'appareil. Utilisez l'outil électroportatif approprié au travail à effectuer.** Avec l'outil électroportatif approprié, vous travaillerez mieux et avec plus de sécurité à la vitesse pour laquelle il est prévu.
- b) **N'utilisez pas un outil électroportatif dont l'interrupteur est défectueux.** Un outil électroportatif qui ne peut plus être mis en ou hors fonctionnement est dangereux et doit être réparé.
- c) **Retirez la fiche de la prise de courant et/ou le bloc-accu avant d'effectuer des réglages sur l'appareil, de changer les accessoires, ou de ranger l'appareil.** Cette mesure de précaution empêche une mise en fonctionnement par mégarde de l'outil électroportatif.
- d) **Gardez les outils électroportatifs non utilisés hors de portée des enfants. Ne permettez pas l'utilisation de l'appareil à des personnes qui ne se sont pas familiarisées avec celui-ci ou qui n'ont pas lu ces instructions.** Les outils électroportatifs sont dangereux lorsqu'ils sont utilisés par des personnes non initiées.
- e) **Prendre soin des outils électroportatifs. Vérifier que les parties en mouvement fonctionnent correctement et qu'elles ne sont pas coincées, et contrôler si des parties sont cassées ou endommagées de sorte que le bon fonctionnement de l'outil électroportatif s'en trouve entravé. Faire réparer les parties endommagées avant d'utiliser l'appareil.** De nombreux accidents sont dus à des outils électroportatifs mal entretenus.
- f) **Maintenez les outils de coupe aiguisés et propres.** Des outils soigneusement entretenus avec des bords tranchants bien aiguisés se coincent moins souvent et peuvent être guidés plus facilement.
- g) **L'outil électroportatif, les accessoires, les outils à monter, etc. doivent être utilisés conformément à ces instructions. Tenez compte également des conditions de travail et du travail à effectuer.** L'utilisation des outils électroportatifs à d'autres fins que celles prévues peut entraîner des situations dangereuses.

fr

2.1.5 Utilisation et maniemment de l'outil sur accu

- a) **Ne chargez les accumulateurs que dans des chargeurs recommandés par le fabricant.** Si un chargeur approprié à un type spécifique d'accumulateurs est utilisé avec des blocs-accus non recommandés pour celui-ci, il y a risque d'incendie.
- b) **Dans les outils électroportatifs, n'utilisez que les accumulateurs spécialement prévus pour ceux-ci.** L'utilisation de tout autre accumulateur peut entraîner des blessures et des risques d'incendie.

- c) **Tenez l'accumulateur non utilisé à l'écart de tous objets métalliques tels qu'agrafes, pièces de monnaie, clés, clous, vis ou autres, étant donné qu'un pontage peut provoquer un court-circuit.** Un court-circuit entre les contacts d'accu peut provoquer des brûlures ou un incendie.
- d) **En cas d'utilisation abusive, du liquide peut sortir de l'accumulateur. Éviter tout contact avec ce liquide. En cas de contact par mégarde, rincez soigneusement avec de l'eau. Au cas où le liquide rentrerait dans les yeux, consultez en plus un médecin.** Le liquide qui sort de l'accumulateur peut entraîner des irritations de la peau ou causer des brûlures.

2.1.6 Service

- a) **Ne faire réparer l'outil électroportatif que par un personnel qualifié et seulement avec des pièces de rechange d'origine.** Ceci permet d'assurer la sécurité de l'outil électroportatif.

2.2 Indications de sécurité pour les perceuses

- a) **Porter un casque antibruit lors du perçage à percussion.** Le bruit peut entraîner des pertes auditives.
- b) **Utiliser la poignée supplémentaire livrée avec l'appareil.** La perte de contrôle peut entraîner des blessures.
- c) **Tenir l'appareil par les surfaces isolées des poignées lors des travaux pendant lesquels l'outil utilisé risque de toucher des câbles électriques cachés.** Le contact avec un câble sous tension risque de mettre les parties métalliques de l'appareil sous tension et de provoquer une décharge électrique.

2.3 Consignes de sécurité supplémentaires

2.3.1 Sécurité des personnes

- a) **Toute manipulation ou modification de l'appareil est interdite.**
- b) **Lors des travaux pendant lesquels la vis risque de toucher des câbles électriques cachés, tenir l'appareil uniquement par les surfaces isolées des poignées.** Le contact de la vis avec un câble conducteur risque aussi de mettre les parties métalliques de l'appareil sous tension et de provoquer une décharge électrique.
- c) **Veiller à ce que les poignées soient toujours sèches, propres et exemptes de traces de graisse et d'huile.**
- d) **Faire régulièrement des pauses et des exercices de relaxation et de massage des doigts pour favoriser l'irrigation sanguine dans les doigts.**

- e) **Éviter de toucher des pièces en rotation. Brancher l'appareil uniquement dans l'espace de travail.** Le fait de toucher des pièces en rotation, en particulier des outils en rotation, risque d'entraîner des blessures.
- f) **Activer le blocage (inverseur D/G sur la position médiane) pour le stockage et le transport de l'appareil.**
- g) **L'appareil n'est pas destiné à être utilisé par des personnes affaiblies sans encadrement. L'appareil doit être tenu à l'écart des enfants.**
- h) Les poussières de matériaux telles que des peintures contenant du plomb, certains types de bois, du béton / de la maçonnerie / des pierres naturelles qui contiennent du quartz ainsi que des minéraux et des métaux peuvent être nuisibles à la santé. Le contact ou l'aspiration de poussière peut provoquer des réactions allergiques et/ou des maladies respiratoires de l'utilisateur ou de toute personne se trouvant à proximité. Certaines poussières, telles que des poussières de chêne ou de hêtre, sont considérées comme cancérigènes, en particulier lorsqu'elles sont combinées à des additifs destinés au traitement du bois (chromate, produit de protection du bois). Les matériaux contenant de l'amiante doivent seulement être manipulés par un personnel spécialisé. **Un dispositif d'aspiration doit être utilisé dans la mesure du possible. Pour une aspiration de poussière efficace, il convient d'utiliser un dépoussiéreur mobile adéquat. Le cas échéant, porter un masque antipoussière adapté au type de poussière considérée. Veiller à ce que la place de travail soit bien ventilée. Respecter les prescriptions locales en vigueur qui s'appliquent aux matériaux travaillés.**
- i) **L'utilisateur et les personnes se trouvant à proximité pendant l'utilisation de l'appareil doivent porter des lunettes de protection adaptées homologuées selon ANSI Z87.1, un casque de protection, un casque antibruit, des gants de protection et un masque respiratoire léger.**

2.3.2 Utilisation et emploi soigneux de l'outil électroportatif

- a) **Bien fixer la pièce. Pour ce faire, utiliser un dispositif de serrage ou un étau, pour maintenir la pièce travaillée en place.** Elle sera ainsi mieux tenue qu'à la main, et les deux mains restent alors libres pour commander l'appareil.
- b) **Vérifier que les outils sont bien munis du système d'emmanchement adapté à l'appareil et qu'ils sont toujours correctement verrouillés dans le porte-outil.**
- c) **Les outils à monter gros et lourds doivent uniquement être utilisés à la première vitesse.** Il y a sinon un risque d'endommager l'appareil à

la mise à l'arrêt ou, dans des situations défavorables, que le mandrin de perçage se détache.

2.3.3 Utilisation et emploi soigneux des appareils sans fil

- fr
- a) **Vérifiez que l'appareil est effectivement en position d'arrêt avant de monter l'accumulateur.** Le fait de monter un accumulateur dans un outil électroportatif en position de fonctionnement peut causer des accidents.
 - b) **Ne pas exposer les accus à des températures élevées ni au feu.** Il y a risque d'explosion.
 - c) **Les accus ne doivent pas être démontés, écrasés, chauffés à une température supérieure à 80 °C ou jetés au feu.** Sinon, il y a risque d'incendie, d'explosion et de brûlure par l'acide.
 - d) **Éviter toute pénétration d'humidité.** Toute infiltration d'humidité risque de provoquer un court-circuit et des brûlures ou un incendie.
 - e) **Respecter les directives spécifiques relatives au transport, au stockage et à l'utilisation des accus Li-Ions.**
 - f) **Éviter tout court-circuit sur l'accu. Avant de réinsérer l'accu dans l'appareil, s'assurer que les contacts de l'accu et dans l'appareil sont exempts de corps étrangers.** Si les contacts d'un accu sont court-circuités, il y a risque d'incendie, d'explosion et de brûlure par acide.
 - g) **Les accus endommagés (par exemple des accus fissurés, dont certaines pièces sont cassées, dont les contacts sont déformés, rentrés et / ou sortis) ne doivent plus être chargés ni utilisés.**
 - h) Si le bloc-accu est trop chaud pour être touché, il est probablement défectueux. **Déposer l'appareil à un endroit non inflammable d'où il peut être surveillé, suffisamment loin de matériaux potentiellement inflammables et le laisser refroidir. Contacter le S.A.V. Hilti, une fois le bloc-accu refroidi.**

2.3.4 Sécurité relative au système électrique

Avant d'entamer le travail, vérifier, par exemple à l'aide d'un détecteur de métaux, qu'il n'y a pas de câbles ou gaines électriques, tuyaux de gaz ou d'eau cachés dans la zone d'intervention. Toutes pièces métalliques extérieures de l'appareil peuvent devenir conductrices, par exemple, lorsqu'un câble électrique est endommagé par inadvertance. Cela peut entraîner un grave danger d'électrocution.

3 Description

3.1 Utilisation conforme à l'usage prévu

La SFH 18-A est une visseuse-perceuse à percussion sur accu à guidage manuel servant à serrer et desserrer de la visserie, percer dans de l'acier, du bois ou du plastique, et à percer avec percussion dans du béton léger et de la maçonnerie.

Ne pas utiliser les accus comme source d'énergie pour d'autres appareils non spécifiés.

Pour éviter tout risque de blessure, utiliser uniquement les accessoires et outils Hilti d'origine.

L'appareil est destiné aux utilisateurs professionnels et ne doit être utilisé, entretenu et réparé que par un personnel agréé, formé à cet effet. Ce personnel doit être au courant des dangers inhérents à l'utilisation de l'appareil. L'appareil et ses accessoires peuvent s'avérer dangereux s'ils sont utilisés de manière incorrecte par un personnel non qualifié ou de manière non conforme à l'usage prévu.

3.2 L'équipement standard livré comprend :

- 1 Appareil
- 1 Poignée latérale
- 1 Mode d'emploi

REMARQUE

Des accessoires fiables peuvent être obtenus auprès du S.A.V. Hilti ou en ligne sous www.hilti.com.

3.3 Équipement supplémentaire nécessaire au fonctionnement de l'appareil

Un accu adéquat tel que recommandé (voir le tableau Caractéristiques techniques) ainsi qu'un chargeur adéquat de la série C 4/36.

3.4 Affichage de l'état de charge et de surchauffe de l'accu Li-Ion

Lors de l'utilisation de l'accu Li-Ion, l'état de charge peut être visualisé en appuyant légèrement sur l'un des boutons de déverrouillage (jusqu'à la résistance – ne pas déverrouiller). L'affichage au dos de l'accu donne les informations suivantes :

DEL allumée en continu	DEL clignotante	État de charge C
DEL 1, 2, 3, 4	-	C \geq 75 %

fr

DEL allumée en continu	DEL clignotante	État de charge C
DEL 1, 2, 3	-	$50 \% \leq C < 75 \%$
DEL 1, 2	-	$25 \% \leq C < 50 \%$
DEL 1	-	$10 \% \leq C < 25 \%$
-	DEL 1	$C < 10 \%$
-	DEL 1	Accu surchauffé

REMARQUE

Il n'est pas possible d'interroger l'indicateur de l'état de charge pendant et immédiatement après les travaux. Si les DEL clignotantes de l'indicateur de l'état de charge de l'accu clignotent, se reporter au chapitre Dépannage.

3.5 Affichage de l'état de surcharge et de surchauffe de l'appareil

L'appareil est équipé d'un système de protection électronique contre les surcharges et les surchauffes. En cas de surcharge et de surchauffe, l'appareil est automatiquement arrêté. Si l'interrupteur de commande est relâché puis réappuyé, il peut y avoir des retards de mise en marche (phases de refroidissement de l'appareil).

DEL allumée en continu	DEL clignotante	État de l'appareil
-	DEL 1, 2, 3, 4	Charge excessive ou surchauffe de l'appareil

4 Caractéristiques techniques

Sous réserve de modifications techniques !

Appareil	SFH 18-A
Tension de référence (tension continue)	21,6 V
Poids de l'appareil	2,9 kg (6,39 lb)
Vitesse de rotation 1ère vitesse	0...370/min
Vitesse de rotation 2ème vitesse	0...2.140/min
Couple de rotation (cas de vissage facile) réglage Symbole de perçage	Max. 50 Nm (444 po/lbs)
Réglage du couple (15 niveaux)	2...12 Nm (12 po/lbs...108 po/lbs)

Appareil	SFH 18-A
Cadence de percussion lors du perçage en 3ème vitesse	39.000 1/min
Perçage à percussion dans de la maçonnerie (longueur max. 100 mm)	∅ 4... 12 mm (1/8" ...1/2")
Plage de serrage du mandrin à serrage rapide	∅ 1,5... 13 mm (1/16" à 1/2")
Plage de perçage dans le bois (tendre)	∅ 1,5...32 mm (1/16" à 1 1/4")
Plage de perçage dans le bois (dur)	∅ 1,5...20 mm (1/16" à 3/4")
Plage de perçage dans le métal	∅ 1,5... 13 mm (1/16" à 1/2")

fr

Accu	B 18/3.3 Li-Ion	B 18/2.6 Li-Ion (01)	B 18/2.6 Li-Ion (02)	B 18/5.2 Li-Ion	B 18/1.6 Li-Ion
Tension de référence	21,6 V	21,6 V	21,6 V	21,6 V	21,6 V
Capacité	3,3 Ah	2,6 Ah	2,6 Ah	5,2 Ah	1,6 Ah
Consommation d'énergie électrique	71,28 Wh	56,16 Wh	56,16 Wh	112,32 Wh	34,56 Wh
Poids	0,78 kg (1,72 lb)	0,78 kg (1,72 lb)	0,48 kg (1,06 lb)	0,78 kg (1,72 lb)	0,48 kg (1,06 lb)
Bloc de cellules	12 éléments	12 éléments	6 éléments	12 éléments	6 éléments

5 Mise en service

5.1 Recharge d'un accu utilisé

Vérifier que les surfaces extérieures de l'accu sont propres et sèches avant d'introduire l'accu dans le chargeur.

Avant de recharger, lire le mode d'emploi du chargeur.

5.2 Introduction de l'accu 2

ATTENTION

Avant d'introduire l'accu, s'assurer que l'appareil est bien sur arrêt et que le blocage pendant la marche est activé (inverseur du sens de rotation droite / gauche sur la position médiane). Utiliser uniquement les accus Hilti homologués pour l'appareil.

- fr 1. **ATTENTION** Une chute d'accu pourrait vous mettre en danger ou mettre en danger d'autres personnes.
Vérifier que l'accu est bien en place dans l'appareil.

5.3 Retrait de l'accu 3

5.4 Montage et positionnement de la poignée latérale 4

DANGER

Veiller à ce que le collier de serrage soit dans l'écrou prévu à cet effet sur l'appareil et que la poignée latérale soit bien fixée.

5.5 Transport et stockage des accus

Tirer l'accu hors de la position de blocage (position de travail) dans la première position d'encliquetage (position de transport).

Pour l'expédition des accus (que ce soit par transport routier, ferroviaire, maritime ou aérien), il convient d'observer les directives nationales et internationales en vigueur.

6 Utilisation

ATTENTION

L'appareil peut devenir chaud au cours de l'utilisation. **Porter des gants de protection.**

ATTENTION

Lors du perçage, perçage à percussion et vissage, l'appareil peut dévier latéralement. **Toujours utiliser l'appareil avec la poignée latérale et maintenir fermement l'appareil avec les deux mains.**

ATTENTION

Se munir de gants de protection pour changer d'outil, afin d'éviter de se blesser avec l'outil.

6.1 Sélection du sens de rotation droite / gauche 5

REMARQUE

L'inverseur du sens de rotation droite / gauche permet de choisir le sens de rotation du mandrin. Un dispositif de blocage empêche toute inversion du sens de rotation lorsque le moteur tourne. Dans la position médiane, l'interrupteur de commande est bloqué. Pousser l'inverseur du sens de rotation droite / gauche vers la gauche (dans le sens effectif de travail de l'appareil) pour régler le sens de rotation droit. Pousser l'inverseur du sens de rotation droite / gauche vers la droite (dans le sens effectif de travail de l'appareil) pour régler le sens de rotation gauche.

fr

6.2 Sélection de vitesse à l'aide du commutateur à 2 vitesses 6

AVERTISSEMENT

Les outils à monter gros et lourds doivent uniquement être utilisés à la première vitesse. Il y a sinon un risque d'endommager l'appareil à la mise à l'arrêt ou, dans des situations défavorables, que le mandrin de perçage se détache.

REMARQUE

Le commutateur mécanique à 2 vitesses permet de sélectionner la vitesse de rotation. Vitesse de rotation lorsque l'accu est complètement chargé : 1ère vitesse : 0 à 370 /min ou 2e vitesse : 0 à 2140 /min.

6.3 Mise en marche / Arrêt

En appuyant lentement sur l'interrupteur de commande, la vitesse de rotation peut être réglée progressivement jusqu'à la vitesse maximale.

6.4 Mise en place de la mèche

REMARQUE

La queue de la mèche de l'appareil doit toujours être propre et légèrement graissée. Utiliser de la graisse Hilti adaptée au système d'étanchéité.

1. Introduire l'outil dans le porte-outil et bien serrer le mandrin à serrage rapide, jusqu'à ce que plusieurs déclics mécaniques se fassent entendre.
2. Vérifier que l'outil tient bien.

6.5 Retrait de la mèche

1. Ouvrir le mandrin à serrage rapide.
2. Tirer la mèche hors du mandrin.

6.6 Perçage

ATTENTION

Pour ce faire, utiliser un dispositif de serrage ou un étau, pour maintenir la pièce travaillée en place. Elle sera ainsi mieux tenue qu'à la main, et les deux mains restent alors libres pour commander l'appareil.

1. Tourner la bague de réglage du couple de rotation et de la fonction sur le symbole « Perçage ».
2. Mettre l'inverseur du sens de rotation droite / gauche sur rotation droite.

fr

6.7 Perçage à percussion

1. Tourner la bague de réglage du couple de rotation et de la fonction sur le symbole « Perçage à percussion ».
2. Mettre l'inverseur du sens de rotation droite / gauche sur rotation droite.

6.8 Vissages

6.8.1 Mise en place du porte-embout / de l'embout

1. Ouvrir le mandrin à serrage rapide.
2. Mettre le porte-embout dans le mandrin à serrage rapide et bien serrer ce dernier.
3. Vérifier que le porte-embout est bien serré en essayant de le tirer.
4. Insérer l'embout dans le porte-embout.

6.8.2 Vissages

1. Sélectionner la fonction couple de rotation à l'aide de la bague de réglage du couple de rotation, perçage et perçage à percussion.
2. Sélectionner le sens de rotation souhaité à l'aide de l'inverseur du sens de rotation droite / gauche.

6.8.3 Retrait de l'embout / du porte-embout

1. Sortir l'embout du porte-embout.
2. Ouvrir le mandrin à serrage rapide.
3. Retirer le porte-embout.

6.9 Patte d'accrochage à la ceinture 7

ATTENTION

Avant de commencer à travailler, vérifier que la patte d'accrochage à la ceinture est bien fixée.

La patte d'accrochage permet de fixer l'appareil à la ceinture proche du corps. De plus, la patte d'accrochage à la ceinture peut être fixée de l'autre côté de l'appareil pour les gauchers.

7 Nettoyage et entretien

AVERTISSEMENT

Toute réparation des pièces électriques ne doit être effectuée que par un électricien qualifié. fr

7.1 Nettoyage de l'appareil

ATTENTION

Tenir l'appareil, en particulier les surfaces de préhension, sec, propre et exempt d'huile et de graisse. Ne pas utiliser de nettoyeurs à base de silicone.

Ne jamais faire fonctionner l'appareil si ses ouïes d'aération sont bouchées ! Les nettoyer avec précaution au moyen d'une brosse sèche. Éviter toute pénétration de corps étrangers à l'intérieur de l'appareil. Nettoyer régulièrement l'extérieur de l'appareil avec un chiffon légèrement humide. N'utiliser ni pulvérisateur, ni appareil à jet de vapeur, ni eau courante pour nettoyer l'appareil, afin de garantir sa sûreté électrique.

7.2 Entretien des accus Li-ion

REMARQUE

À basse température, la capacité de l'accu chute.

REMARQUE

Stocker si possible l'accu dans un endroit sec et frais.

Pour que les accus atteignent leur longévité maximale, terminer la décharge dès que la puissance du bloc-accu diminue nettement.

REMARQUE

- En cas de prolongation de l'utilisation, la décharge s'arrête automatiquement avant que les cellules ne risquent d'être endommagées.
- Charger les accus à l'aide des chargeurs homologués par Hilti pour les accus Li-ion.

8 Guide de dépannage

Défauts	Causes possibles	Solutions
L'appareil ne fonctionne pas.	L'accu n'est pas complètement encliqueté ou est vide.	Vérifier que l'accu s'encliquette avec un « double-clic » audible. Le charger si nécessaire.
	Erreur d'origine électrique.	Retirer l'accu de l'appareil et contacter le service Hilti.
L'appareil ne fonctionne pas et les 4 DEL clignotent.	Appareil momentanément surchargé.	Relâcher puis réappuyer sur l'interrupteur de commande.
	Protection contre les surchauffes.	Laisser refroidir l'appareil. Nettoyer les ouïes d'aération.
L'appareil ne fonctionne pas et 1 DEL clignote.	L'accu est déchargé.	Remplacer l'accu et charger l'accu vide.
	Accu trop chaud ou trop froid.	Amener l'accu à la température de service recommandée.
Pas de fonction de perçage à percussion.	Ne pas tourner la bague de réglage du couple de rotation et de la fonction sur le symbole « Perçage à percussion ».	Tourner la bague de réglage du couple de rotation et de la fonction sur le symbole « Perçage à percussion ».
Impossible d'enfoncer l'interrupteur Marche / Arrêt ou l'interrupteur est bloqué.	Inverseur du sens de rotation droite / gauche en position médiane (position de transport).	Pousser l'inverseur du sens de rotation droite / gauche vers la droite ou vers la gauche.
L'accu se vide plus rapidement que d'habitude.	Température ambiante très basse.	Attendre jusqu'à ce que l'accu se réchauffe à la température de service.
Le bloc-accu ne s'encliquette pas avec un « double-clic » audible.	Ergots d'encliquetage encrassés sur l'accu.	Nettoyer les ergots d'encliquetage et insérer l'accu jusqu'au « clic ». S'adresser au S.A.V. Hilti si le problème subsiste.

fr

Défauts	Causes possibles	Solutions
Important dégagement de chaleur dans l'appareil ou dans l'accu.	Défaut électrique.	Arrêter immédiatement l'appareil, sortir l'accu de l'appareil et s'adresser au S.A.V. Hilti.
	Charge excessive de l'appareil (limite d'emploi dépassée).	Utiliser un appareil approprié pour ce type de travail.

fr

9 Recyclage

ATTENTION

En cas de recyclage incorrect du matériel, les risques suivants peuvent se présenter : la combustion de pièces en plastique risque de dégager des fumées et gaz toxiques nocifs pour la santé. Les piles abîmées ou fortement échauffées peuvent exploser, causer des empoisonnements ou intoxications, des brûlures (notamment par acides), voire risquent de polluer l'environnement. En cas de recyclage sans précautions, des personnes non autorisées risquent d'utiliser le matériel de manière incorrecte, voire de se blesser sérieusement, d'infliger de graves blessures à des tierces personnes et de polluer l'environnement.

ATTENTION

Éliminer sans tarder les accus défectueux. Les tenir hors de portée des enfants. Ne pas détruire les accus ni les incinérer.

ATTENTION

Éliminer les accus conformément aux prescriptions nationales en vigueur ou restituer les accus ayant servi à Hilti.



Les appareils Hilti sont fabriqués en grande partie avec des matériaux recyclables dont la réutilisation exige un tri correct. Dans de nombreux pays, Hilti est déjà équipé pour reprendre votre ancien appareil afin d'en recycler les composants. Consultez le service clients Hilti ou votre conseiller commercial.

10 Garantie constructeur des appareils

En cas de questions relatives aux conditions de garantie, veuillez vous adresser à votre partenaire HILTI local.

fr

Atornilladora de batería SFH 18-A

Lea detenidamente el manual de instrucciones antes de la puesta en servicio. Conserve siempre este manual de instrucciones cerca de la herramienta. No entregue nunca la herramienta a otras personas sin adjuntar el manual de instrucciones.

es

Índice

1	Indicaciones generales	38
2	Indicaciones de seguridad	39
3	Descripción	45
4	Datos técnicos	47
5	Puesta en servicio	48
6	Manejo	49
7	Cuidado y mantenimiento	51
8	Localización de averías	52
9	Reciclaje	53
10	Garantía del fabricante de las herramientas	54

1 Los números hacen referencia a las ilustraciones. Las ilustraciones se encuentran al principio del manual de instrucciones.

En el presente manual de instrucciones, «la herramienta» se refiere siempre a la atornilladora de percusión con batería SFH 18-A con la batería insertada.

Vista general del producto **1**

- ① Empuñadura lateral
- ② Portabrocas de sujeción rápida
- ③ Anillo de ajuste para par de giro, taladrado y taladrado con percusión
- ④ Selector de dos velocidades
- ⑤ Interruptor de conmutación derecha/ izquierda con bloqueo de conexión
- ⑥ Conmutador de control (con control electrónico de velocidad)
- ⑦ Empuñadura

- ⑧ Teclas de desbloqueo con función adicional de activación del indicador del estado de carga

- ⑨ Placa de identificación

- ⑩ Colgador de cinturón (opcional)

- ⑪ Indicador del estado de carga y de averías (batería de Ion-Litio)

es 1 Indicaciones generales

1.1 Señales de peligro y su significado

PELIGRO

Término utilizado para un peligro inminente que puede ocasionar lesiones graves o incluso la muerte.

ADVERTENCIA

Término utilizado para una posible situación peligrosa que puede ocasionar lesiones graves o la muerte.

PRECAUCIÓN

Término utilizado para una posible situación peligrosa que puede ocasionar lesiones o daños materiales leves.

INDICACIÓN

Término utilizado para indicaciones de uso y demás información de interés.

1.2 Explicación de los pictogramas y otras indicaciones

Símbolos de advertencia



Advertencia de
peligro en general

Señales prescriptivas



Leer el manual de
instrucciones antes
del uso

Símbolos



Corriente continua

n_0

Número de referencia de revoluciones en vacío

/min

Revoluciones por minuto

RPM

Revoluciones por minuto



Taladrador con percusión



Taladrador sin percusión

es

Ubicación de los datos identificativos de la herramienta

La denominación del modelo se encuentra en la placa de identificación debajo de la base de la herramienta, y el número de serie en el lateral de la carcasa. Anote estos datos en su manual de instrucciones y notifíquelos siempre que realice alguna consulta a nuestros representantes o al Departamento de Servicio Técnico.

Modelo:

Generación: 02

N.º de serie:

2 Indicaciones de seguridad

INDICACIÓN

Las indicaciones de seguridad del capítulo 2.1 incluyen todas las indicaciones de seguridad generales para herramientas eléctricas que se mencionan en el manual de instrucciones. Por consiguiente, pueden incluirse indicaciones que no son relevantes para esta herramienta.

2.1 Indicaciones generales de seguridad para herramientas eléctricas

a)  **ADVERTENCIA**

Lea con atención todas las instrucciones e indicaciones de seguridad. En caso de no respetar las instrucciones e indicaciones de seguridad que se describen a continuación, podría producirse una descarga eléctrica, incendio y/o lesiones graves. **Conserve todas las instrucciones e indicaciones de seguridad para futuras consultas.** El término

«herramienta eléctrica» empleado en las indicaciones de seguridad se refiere a herramientas eléctricas portátiles, ya sea con cable de red o sin cable, en caso de ser accionadas por batería.

2.1.1 Seguridad en el puesto de trabajo

- es**
- a) **Mantenga su área de trabajo limpia y bien iluminada.** El desorden o una iluminación deficiente de las zonas de trabajo pueden provocar accidentes.
 - b) **No utilice la herramienta eléctrica en un entorno con peligro de explosión, en el que se encuentren combustibles líquidos, gases o material en polvo.** Las herramientas eléctricas producen chispas que pueden llegar a inflamar los materiales en polvo o vapores.
 - c) **Mantenga alejados a los niños y otras personas de su puesto de trabajo al emplear la herramienta eléctrica.** Una distracción le puede hacer perder el control sobre la herramienta.

2.1.2 Seguridad eléctrica

- a) **El enchufe de la herramienta eléctrica debe corresponder con la toma de corriente utilizada. No está permitido modificar el enchufe en forma alguna. No utilice enchufes adaptadores para las herramientas eléctricas con puesta a tierra.** Los enchufes sin modificar adecuados a las respectivas tomas de corriente reducen el riesgo de descarga eléctrica.
- b) **Evite el contacto corporal con superficies que tengan puesta a tierra, como pueden ser tubos, calefacciones, cocinas y frigoríficos.** El riesgo a quedar expuesto a una descarga eléctrica es mayor si su cuerpo tiene contacto con el suelo.
- c) **No exponga las herramientas eléctricas a la lluvia y evite que penetren líquidos en su interior.** El riesgo de recibir descargas eléctricas aumenta si penetra agua en la herramienta eléctrica.
- d) **No utilice el cable de red para transportar o colgar la herramienta eléctrica ni tire de él para extraer el enchufe de la toma de corriente. Mantenga el cable de red alejado de fuentes de calor, aceite, aristas afiladas o piezas móviles de la herramienta.** Los cables de red dañados o enredados pueden provocar descargas eléctricas.
- e) **Cuando trabaje al aire libre con una herramienta eléctrica, utilice exclusivamente un alargador adecuado para exteriores.** La utilización de un cable de prolongación adecuado para su uso en exteriores reduce el riesgo de una descarga eléctrica.
- f) **Cuando no pueda evitarse el uso de la herramienta eléctrica en un entorno húmedo, utilice un interruptor de corriente de defecto.** La

utilización de un interruptor de corriente de defecto evita el riesgo de una descarga eléctrica.

2.1.3 Seguridad de las personas

- a) **Permanezca atento, preste atención durante el trabajo y utilice la herramienta eléctrica con prudencia. No utilice la herramienta eléctrica si está cansado, ni tampoco después de haber consumido alcohol, drogas o medicamentos.** Un momento de descuido al utilizar la herramienta eléctrica podría producir graves lesiones.
- b) **Utilice el equipo de protección adecuado y lleve siempre gafas de protección.** El riesgo de lesiones se reduce considerablemente si, según el tipo y la aplicación de la herramienta eléctrica empleada, se utiliza un equipo de cubierta protectora adecuado como una mascarilla antipolvo, zapatos de seguridad con suela antideslizante, casco o protectores auditivos.
- c) **Evite una puesta en marcha fortuita de la herramienta. Asegúrese de que la herramienta eléctrica está apagada antes de alzarla, transportarla, conectarla a la alimentación de corriente y/o insertar la batería.** Si transporta la herramienta eléctrica sujetándola por el interruptor de conexión/desconexión o si introduce el enchufe en la toma de corriente con la herramienta conectada, podría producirse un accidente.
- d) **Retire las herramientas de ajuste o llaves fijas antes de conectar la herramienta eléctrica.** Una herramienta o llave colocada en una pieza giratoria puede producir lesiones al ponerse en funcionamiento.
- e) **Evite adoptar posturas forzadas. Procure que la postura sea estable y manténgase siempre en equilibrio.** De esta forma podrá controlar mejor la herramienta eléctrica en caso de presentarse una situación inesperada.
- f) **Utilice ropa adecuada. No utilice vestimenta amplia ni joyas. Mantenga su pelo, vestimenta y guantes alejados de las piezas móviles.** La vestimenta suelta, las joyas y el pelo largo se pueden enganchar con las piezas móviles.
- g) **Siempre que sea posible utilizar equipos de aspiración o captación de polvo, asegúrese de que están conectados y de que se utilizan correctamente.** El uso de un sistema de aspiración reduce los riesgos derivados del polvo.

2.1.4 Uso y manejo de la herramienta eléctrica

- a) **No sobrecargue la herramienta. Utilice la herramienta adecuada para el trabajo que se dispone a realizar.** Con la herramienta apropiada podrá trabajar mejor y de modo más seguro dentro del margen de potencia indicado.

es

- b) **No utilice herramientas con el interruptor defectuoso.** Las herramientas que no se puedan conectar o desconectar son peligrosas y deben repararse.
- c) **Extraiga el enchufe de la toma de corriente y/o la batería antes de efectuar cualquier ajuste en la herramienta, cambiar accesorios o en caso de no utilizar la herramienta durante un tiempo prolongado.** Esta medida preventiva reduce el riesgo de conexión accidental de la herramienta eléctrica.
- d) **Guarde las herramientas fuera del alcance de los niños. Evite que personas no familiarizadas con su uso o que no hayan leído este manual de instrucciones utilicen la herramienta.** Las herramientas utilizadas por personas inexpertas son peligrosas.
- e) **Cuide su herramienta eléctrica adecuadamente. Compruebe si las piezas móviles de la herramienta funcionan correctamente y sin atascarse, y si existen piezas rotas o deterioradas que pudieran afectar al funcionamiento de la herramienta eléctrica. Encargue la reparación de las piezas defectuosas antes de usar la herramienta eléctrica.** Muchos accidentes son consecuencia de un mantenimiento inadecuado de la herramienta eléctrica.
- f) **Mantenga los útiles limpios y afilados.** Las herramientas de corte bien cuidadas y con aristas afiladas se atascan menos y se guían con más facilidad.
- g) **Utilice la herramienta eléctrica, los accesorios, útiles, etc., de acuerdo con estas instrucciones. Para ello, tenga en cuenta las condiciones de trabajo y la tarea que se va a realizar.** El uso de herramientas eléctricas para trabajos diferentes de aquellos para los que han sido concebidas puede resultar peligroso.

2.1.5 Uso y manejo de la herramienta a batería

- a) **Cargue las baterías únicamente con los cargadores recomendados por el fabricante.** Existe riesgo de incendio al intentar cargar baterías de un tipo diferente al previsto para el cargador.
- b) **Utilice únicamente las baterías previstas para la herramienta eléctrica.** El uso de otro tipo de baterías puede provocar daños e incluso incendios.
- c) **Si no utiliza la batería, guárdela separada de clips, monedas, llaves, clavos, tornillos o demás objetos metálicos que pudieran puentear sus contactos.** El cortocircuito de los contactos de la batería puede causar quemaduras o incendios.
- d) **La utilización inadecuada de la batería puede provocar fugas de líquido. Evite el contacto con este líquido. En caso de contacto accidental, enjuague el área afectada con abundante agua. En caso de contacto con los ojos, acuda además inmediatamente a**

un médico. El líquido de la batería puede irritar la piel o producir quemaduras.

2.1.6 Servicio técnico

- a) **Solicite que un profesional lleve a cabo la reparación de su herramienta eléctrica y que utilice exclusivamente piezas de repuesto originales.** Solamente así se mantiene la seguridad de la herramienta eléctrica.

es

2.2 Indicaciones de seguridad para taladradoras

- a) **Utilice protección para los oídos al taladrar con percusión.** El ruido constante puede reducir la capacidad auditiva.
- b) **Utilice las empuñaduras adicionales que se suministran con la herramienta.** La pérdida del control puede causar lesiones.
- c) **Sujete la herramienta por las empuñaduras aisladas cuando realice trabajos en los que la herramienta puede entrar en contacto con cables eléctricos ocultos.** El contacto con los cables conductores puede traspasar la conductividad a las partes metálicas y producir descargas eléctricas.

2.3 Indicaciones de seguridad adicionales

2.3.1 Seguridad de personas

- a) **No está permitido efectuar manipulaciones o modificaciones en la herramienta.**
- b) **Sujete la herramienta por las empuñaduras aisladas cuando realice trabajos en los que el tornillo pueda entrar en contacto con cables eléctricos ocultos.** El contacto del tornillo con los cables conductores puede traspasar la conductividad a las partes metálicas de la herramienta y producir descargas eléctricas.
- c) **Mantenga las empuñaduras secas, limpias y sin residuos de aceite o grasa.**
- d) **Efectúe pausas durante el trabajo, así como ejercicios de relajación y estiramiento de los dedos para mejorar la circulación.**
- e) **Evite tocar las piezas en movimiento. No conecte la herramienta fuera de la zona de trabajo.** Si se tocan piezas en movimiento, en especial herramientas rotativas, pueden ocasionarse lesiones.
- f) **Active el bloqueo de conexión (conmutador derecha/izquierda en posición central) en caso de guardar y transportar la herramienta.**
- g) **La herramienta no es adecuada para personas con poca fuerza a las que no se haya instruido. Mantenga la herramienta fuera del alcance de los niños.**

- h) El polvo procedente de materiales como pinturas con plomo, determinadas maderas, hormigón/mampostería/rocas con cuarzo, así como minerales y metal puede ser nocivo para la salud. El contacto con el polvo o su inhalación puede provocar reacciones alérgicas o asfixia al usuario o a personas que se encuentren en su entorno. Existen determinados tipos de polvo, como puede ser el de roble o el de haya, catalogados como cancerígenos, especialmente si se encuentra mezclado con aditivos usados en el tratamiento de la madera (cromato, agente protector para la madera). Únicamente expertos cualificados están autorizados a manipular materiales que contengan asbesto. **Utilice siempre que sea posible un sistema de aspiración de polvo. Para lograr un alto grado de aspiración del polvo, utilice un extractor de polvo portátil apropiado. Utilice una mascarilla adecuada para cada clase de polvo. Procure que haya una buena ventilación del lugar de trabajo. Respete la normativa vigente en su país concerniente al procesamiento de los materiales de trabajo.**
- i) **El usuario y las personas que se encuentren en las inmediaciones de la zona de uso de la herramienta deberán llevar gafas protectoras, casco de protección, protección para los oídos, guantes de protección y una mascarilla ligera homologados según la norma ANSI Z87.1.**

2.3.2 Manipulación y utilización segura de las herramientas eléctricas

- a) **Asegure la pieza de trabajo. Utilice dispositivos de sujeción o un tornillo de banco para sujetar la pieza de trabajo.** De esta forma estará sujeta de modo más seguro que con la mano y, por otro lado, se podrán mantener libres ambas manos para el manejo de la herramienta.
- b) **Compruebe si los útiles presentan el sistema de inserción adecuado para la herramienta y si están enclavados en el portaútiles conforme a las prescripciones.**
- c) **Las herramientas intercambiables de gran tamaño y muy pesadas únicamente deben utilizarse en la primera velocidad.** De lo contrario existe el riesgo de que la herramienta quede dañada al apagarla o de que, en determinadas circunstancias adversas, el portabrocas se desprenda.

2.3.3 Manipulación y utilización segura de las herramientas alimentadas por batería

- a) **Antes de insertar la batería, asegúrese de que la herramienta esté desconectada.** La inserción de la batería en una herramienta eléctrica conectada puede causar accidentes.
- b) **Mantenga las baterías alejadas de altas temperaturas y fuego.** Existe peligro de explosión.

- c) **Las baterías no se deben destruir, comprimir, calentar por encima de 80 °C ni quemar.** En caso contrario existe peligro de abrasión, fuego y explosión.
- d) **Evite la penetración de humedad.** La humedad puede provocar un cortocircuito y, como consecuencia, quemaduras o fuego.
- e) **Tenga en cuenta las directivas especiales en materia de transporte, almacenamiento y manejo de las baterías de Ion-Litio.**
- f) **Evite que se produzcan cortocircuitos en la batería. Antes de insertar la batería en la herramienta, asegúrese de que los contactos de la misma estén libres de cuerpos extraños.** Si se produce un cortocircuito en los contactos de la batería, existe peligro de causticación, fuego y explosión.
- g) **Las baterías dañadas (p. ej., baterías con grietas, piezas rotas o contactos doblados, metidos hacia dentro o extraídos) no deben cargarse ni seguir utilizándose.**
- h) Si al tocar la batería, detecta que está muy caliente, puede deberse a una avería en la misma. **Coloque la herramienta en un lugar visible, no inflamable y alejado de materiales inflamables y deje que se enfríe. Póngase en contacto con el Servicio Técnico de Hilti una vez que la batería se haya enfriado.**

es

2.3.4 Seguridad eléctrica

Compruebe (sirviéndose, por ejemplo, de un detector de metales) antes de empezar a trabajar si la zona de trabajo oculta cables eléctricos, tuberías de gas o cañerías de agua. Las partes metálicas exteriores de la herramienta pueden conducir electricidad si, por ejemplo, se ha dañado accidentalmente una conducción eléctrica. Esto conlleva un peligro grave de descarga eléctrica.

3 Descripción

3.1 Uso conforme a las prescripciones

La SFH 18-A es una taladradora de percusión con batería de guiado manual para atornillar y aflojar tornillos, así como para taladrar en acero, madera y plástico, y para taladrar con percusión en mampostería y en hormigón ligero. No utilice las baterías como fuente de energía para consumidores no especificados.

A fin de evitar el riesgo de lesiones, utilice exclusivamente accesorios y herramientas de Hilti.

Esta herramienta ha sido diseñada para el usuario profesional y solo debe ser manejada, conservada y reparada por personal autorizado y debidamente formado. Este personal debe estar especialmente instruido en lo referente

a los riesgos de uso. La herramienta y sus dispositivos auxiliares pueden conllevar riesgos para el usuario en caso de manejarse de forma inadecuada por personal no cualificado o utilizarse para usos diferentes a los que están destinados.

3.2 El equipamiento de serie incluye:

- 1 Herramienta
- 1 Empuñadura lateral
- 1 Manual de instrucciones

es

INDICACIÓN

Encontrará accesorios admisibles en su centro Hilti o en línea en www.hilti.com.

3.3 La herramienta requiere además los siguientes componentes:

Una batería adecuada y recomendada (véase la tabla de datos técnicos) y un cargador de la serie C 4/36.

3.4 Indicador del estado de carga y de sobrecalentamiento de la batería de Ion-Litio

Al utilizar baterías de Ion-Litio, el estado de carga de la batería puede visualizarse presionando ligeramente una de las teclas de desbloqueo (hasta notar resistencia, no desbloquearla). El indicador posterior de la batería muestra los siguientes datos:

LED permanente	LED parpadeante	Estado de carga C
LED 1, 2, 3, 4	-	$C \geq 75 \%$
LED 1, 2, 3	-	$50 \% \leq C < 75 \%$
LED 1, 2	-	$25 \% \leq C < 50 \%$
LED 1	-	$10 \% \leq C < 25 \%$
-	LED 1	$C < 10 \%$
-	LED 1	Sobrecalentamiento de batería

INDICACIÓN

El estado de carga no puede consultarse mientras la herramienta esté en uso ni inmediatamente después de usarla. Si los LED indicadores del estado de carga de la batería parpadean, observe las indicaciones del capítulo «Localización de averías».

3.5 Indicador de sobrecarga y de sobrecalentamiento de la herramienta

La herramienta está equipada con una protección electrónica contra sobrecarga y una protección contra sobrecalentamiento. En caso de sobrecarga o sobrecalentamiento, la herramienta se desconecta automáticamente. Si se suelta el conmutador de control y se vuelve a accionar, pueden producirse retardos en la conexión (fases de enfriamiento de la herramienta).

LED permanente	LED parpadeante	Estado de la herramienta
-	LED 1, 2, 3, 4	Herramienta sobrecargada o sobrecalentada

es

4 Datos técnicos

Reservado el derecho a introducir modificaciones técnicas.

Herramienta	SFH 18-A
Voltaje nominal (corriente continua)	21,6 V
Peso de la herramienta	2,9 kg (6,39 lb)
Número de revoluciones de la 1. ^a velocidad	0...370/min
Número de revoluciones de la 2. ^a velocidad	0...2.140/min
Par de giro (atornillado suave) Ajuste del símbolo de taladrar	Máx. 50 Nm (444 pulg/lb)
Ajuste del par de giro (15 niveles)	2...12 Nm (12 in/lbs...108 in/lbs)
Número de impactos con taladrado en la 3. ^a velocidad	39.000 impactos por minuto
Taladrar con percusión en mampostería (longitud máx. 100 mm)	∅ 4...12 mm (1/8" ...1/2")
Capacidad de sujeción del portabrocas de sujeción rápida	∅ 1,5...13 mm (de 1/16" a 1/2")
Margen de perforación en madera (blanda)	∅ 1,5...32 mm (de 1/16" a 1 1/4")
Margen de perforación en madera (dura)	∅ 1,5...20 mm (de 1/16" a 3/4")
Margen de perforación en metal	∅ 1,5...13 mm (de 1/16" a 1/2")

Batería	B 18/3.3 Li-Ion	B 18/2.6 Li-Ion (01)	B 18/2.6 Li-Ion (02)	B 18/5.2 Li-Ion	B 18/1.6 Li-Ion
Voltaje nominal	21,6 V	21,6 V	21,6 V	21,6 V	21,6 V
Capacidad	3,3 Ah	2,6 Ah	2,6 Ah	5,2 Ah	1,6 Ah
Índice de energía	71,28 Wh	56,16 Wh	56,16 Wh	112,32 Wh	34,56 Wh
Peso	0,78 kg (1,72 lb)	0,78 kg (1,72 lb)	0,48 kg (1,06 lb)	0,78 kg (1,72 lb)	0,48 kg (1,06 lb)
Número de células	12 unidades	12 unidades	6 unidades	12 unidades	6 unidades

5 Puesta en servicio

5.1 Carga de una batería usada

Asegúrese de que la superficie exterior de la batería esté limpia y seca antes de colocarla en el cargador correspondiente.

Antes de cargar la batería, lea atentamente el apartado correspondiente del manual de instrucciones del cargador.

5.2 Colocación de la batería 2

PRECAUCIÓN

Antes de insertar la batería, asegúrese de que la herramienta esté desconectada y el bloqueo de conexión, activado (interruptor de conmutación derecha/izquierda en posición central). Utilice solo las baterías Hilti previstas para su herramienta.

1. **PRECAUCIÓN** Si se cae la batería, puede dañarle a usted y a otras personas.

Compruebe que la batería está bien colocada en la herramienta.

5.3 Extracción de la batería 3

5.4 Montaje y ajuste de la empuñadura lateral 4

PELIGRO

Asegúrese de que la banda de sujeción esté situada en la ranura de la herramienta prevista para tal fin y de que la empuñadura lateral esté bien fijada.

5.5 Transporte y almacenamiento de las baterías

Desplace la batería de la posición de bloqueo (posición de trabajo) a la primera posición de encastre (posición de transporte).

Al enviar baterías, tenga en cuenta las normativas de transporte vigente, tanto nacionales como internacionales (transporte por carretera, ferrocarril, mar o aire).

6 Manejo

es

PRECAUCIÓN

La herramienta puede calentarse durante el uso. **Utilice guantes de protección.**

PRECAUCIÓN

Al taladrar, taladrar con percusión y atornillar, la herramienta se puede desviar lateralmente. Utilice la herramienta siempre con la empuñadura lateral y sujete la herramienta con ambas manos.

PRECAUCIÓN

Utilice guantes de protección para cambiar de útil para evitar lesiones causadas por la herramienta.

6.1 Ajuste del giro a la derecha o a la izquierda 5

INDICACIÓN

Con el interruptor de conmutación derecha/izquierda se puede seleccionar el sentido de giro del husillo de la herramienta. Un bloqueo impide realizar la conmutación con el motor en marcha. En la posición central, el conmutador de control está bloqueado. Presione el interruptor de conmutación derecha/izquierda hacia la izquierda (en el sentido de uso de la herramienta) para seleccionar el giro a la derecha. Presione el interruptor de conmutación derecha/izquierda hacia la derecha (en el sentido de uso de la herramienta) para seleccionar el giro a la izquierda.

6.2 Selección de la velocidad con el selector de dos velocidades 6

ADVERTENCIA

Las herramientas intercambiables de gran tamaño y muy pesadas únicamente deben utilizarse en la primera velocidad. De lo contrario existe el riesgo de que la herramienta quede dañada al apagarla o de que, en determinadas circunstancias adversas, el portabrocas se desprenda.

INDICACIÓN

Con el selector mecánico de dos velocidades se puede seleccionar la velocidad. Número de revoluciones con la batería totalmente cargada: 1.^a velocidad: 0-370 rpm o 2.^a velocidad: 0-2140 rpm.

6.3 Conexión y desconexión

Presionando lentamente el conmutador de control se puede ajustar la velocidad de forma continua hasta la velocidad máxima.

6.4 Inserción de la broca

INDICACIÓN

Compruebe si el extremo de inserción de la herramienta está limpio y ligeramente engrasado. Utilice grasa Hilti, que está dirigida específicamente al sistema de obturación.

1. Inserte el útil en el portaútiles y apriete el portabrocas de sujeción rápida hasta que oiga varios clics.
2. Compruebe que la herramienta quede fijada de forma segura.

6.5 Extracción de la broca

1. Abra el portabrocas de sujeción rápida.
2. Extraiga la herramienta del portaútiles.

6.6 Taladrado

PRECAUCIÓN

Utilice dispositivos de sujeción o un tornillo de banco para sujetar la pieza de trabajo. De esta forma estará sujeta de modo más seguro que con la mano y por otro lado se podrán mantener libres ambas manos para el manejo de la herramienta.

1. Gire el anillo de ajuste hasta el símbolo de "taladrar" para seleccionar el par de giro y la función.
2. Conecte el interruptor de conmutación derecha/ izquierda en posición de giro a la derecha.

6.7 Taladrado con percusión

1. Gire el anillo de ajuste hasta el símbolo de «taladrar con percusión» para seleccionar el par de giro y la función.
2. Conecte el interruptor de conmutación derecha/izquierda en posición de giro a la derecha.

6.8 Atornillado

6.8.1 Inserción del adaptador de puntas / inserción de la punta

1. Abra el portabrocas de sujeción rápida.
2. Inserte el adaptador de puntas en el portabrocas de sujeción rápida y apriete el portabrocas.

3. Tire del adaptador para comprobar que está fijado.
4. Inserte la punta en el adaptador.

6.8.2 Atornillado

1. Seleccione la función de par de giro en el anillo de ajuste para el par de giro, taladrado y taladrado con percusión.
2. Seleccione el sentido de giro deseado en el interruptor de conmutación derecha/ izquierda.

es

6.8.3 Extracción de la punta/adaptador de puntas

1. Extraiga la punta del adaptador.
2. Abra el portabrocas de sujeción rápida.
3. Extraiga el adaptador de puntas.

6.9 Colgador de cinturón 7

PRECAUCIÓN

Antes de iniciar el trabajo, compruebe que el colgador de cinturón está fijado con seguridad.

El colgador de cinturón permite sujetar la herramienta cerca del cuerpo, en el cinturón. Además, el colgador de cinturón puede cambiarse al otro lado de la herramienta para usuarios zurdos.

7 Cuidado y mantenimiento

ADVERTENCIA

La reparación de los componentes eléctricos solo puede llevarla a cabo un técnico electricista cualificado.

7.1 Cuidado de la herramienta

PRECAUCIÓN

Mantenga la herramienta seca, limpia y libre de aceite y grasa, en especial las superficies de la empuñadura. No utilice productos de limpieza que contengan silicona.

No utilice nunca la herramienta si esta tiene obstruidas las ranuras de ventilación. Límpielas cuidadosamente con un cepillo seco. Evite la penetración de cuerpos extraños en el interior de la herramienta. Limpie regularmente el exterior de la herramienta con un paño ligeramente humedecido. No utilice pulverizadores, aparatos de chorro de vapor o agua corriente para la limpieza, ya que podría afectar a la seguridad eléctrica de la herramienta.

7.2 Cuidado de las baterías de Ion-Litio

INDICACIÓN

A una temperatura baja, la potencia de la batería disminuye.

INDICACIÓN

Guarde la batería en un lugar fresco y seco.

Para alcanzar la máxima vida útil de las baterías, cárguelas en cuanto empiece a disminuir claramente su rendimiento.

es

INDICACIÓN

- Si continúa utilizando la herramienta, la descarga finaliza automáticamente antes de que puedan producirse daños en las células.
- Cargue las baterías con cargadores Hilti autorizados para baterías de Ion-Litio.

8 Localización de averías

Fallo	Posible causa	Solución
La herramienta no funciona.	La batería no se ha insertado completamente o está agotada.	La batería debe encajar con un doble clic audible o debe cargarse.
	Error en el sistema eléctrico.	Retire la batería de la herramienta y póngase en contacto con el Servicio Técnico de Hilti.
La herramienta no funciona y parpadean los 4 LED.	La herramienta se ha sobrecargado brevemente.	Suelte el conmutador de control y vuelva a accionarlo.
	La protección de sobrecalentamiento está activada.	Deje que la herramienta se enfríe. Limpie las rejillas de ventilación.
La herramienta no funciona y parpadea 1 LED.	La batería está descargada.	Cambie la batería y recargue la batería vacía.
	La batería está demasiado caliente o fría.	Asegúrese de que la batería alcanza la temperatura de trabajo recomendada.

Fallo	Posible causa	Solución
La función de taladrado con percusión no está disponible.	El anillo de ajuste del par de giro y la función no se encuentra en el símbolo de "taladrar con percusión".	Gire el anillo de ajuste del par de giro y la función hasta el símbolo de "taladrar con percusión".
El interruptor de conexión/desconexión no se puede pulsar o está bloqueado.	Interruptor de conmutación derecha/ izquierda en posición central (posición de transporte).	Pulse el interruptor de conmutación derecha/ izquierda hacia la dirección deseada.
La batería se descarga con mayor rapidez que de costumbre.	Temperatura ambiente demasiado baja.	Deje calentar la batería poco a poco hasta que alcance la temperatura ambiente.
La batería no se encaja con un doble clic audible.	Suciedad en las lengüetas de la batería.	Limpie las lengüetas y enclave la batería. Póngase en contacto con el Servicio Técnico de Hilti si no consigue solucionar el problema.
Calentamiento considerable de la herramienta o la batería.	Error en el sistema eléctrico.	Desconecte la herramienta de inmediato, extraiga la batería de la herramienta y póngase en contacto con el Servicio Técnico de Hilti.
	La herramienta está sobrecargada (límites de aplicación superados).	Seleccione el útil adecuado para la aplicación.

es

9 Reciclaje

PRECAUCIÓN

Una eliminación no reglamentaria del equipamiento puede tener las siguientes consecuencias: si se queman las piezas de plástico se generan gases tóxicos que pueden afectar a las personas; si las pilas están dañadas o se calientan en exceso pueden explotar y ocasionar intoxicaciones, incendios, causticaciones o contaminación del medio ambiente; si se realiza una evacuación imprudente, el equipo puede caer en manos de personas no autorizadas que hagan un uso inadecuado del mismo. Esto generaría el riesgo

de provocar lesiones al usuario o a terceros, así como la contaminación del medio ambiente.

PRECAUCIÓN

Deseche inmediatamente las baterías defectuosas. Manténgalas fuera del alcance de los niños. No desmonte ni queme las baterías.

PRECAUCIÓN

Deseche las baterías respetando las disposiciones de su país o devuelva las baterías usadas a Hilti.

es



Gran parte de las herramientas Hilti están fabricadas con materiales reutilizables. La condición para dicha reutilización es una separación de materiales adecuada. En muchos países, Hilti ya dispone de un servicio de recogida de la herramienta usada. Póngase en contacto con el Servicio de Atención al Cliente de Hilti o con su asesor de ventas.

10 Garantía del fabricante de las herramientas

Si tiene alguna consulta acerca de las condiciones de la garantía, póngase en contacto con su sucursal local de Hilti.

MANUAL ORIGINAL

Berbequim/aparafusadora a bateria SFH 18-A

Antes de utilizar a ferramenta, por favor leia atentamente o manual de instruções.

Conserve o manual de instruções sempre junto da ferramenta.

Entregue a ferramenta a outras pessoas apenas juntamente com o manual de instruções.

pt

Índice

1	Informações gerais	56
2	Normas de segurança	57
3	Descrição	63
4	Características técnicas	65
5	Antes de iniciar a utilização	66
6	Utilização	66
7	Conservação e manutenção	69
8	Avarias possíveis	70
9	Reciclagem	71
10	Garantia do fabricante - Ferramentas	72

1 Estes números referem-se a figuras. Pode encontrar as figuras no início do manual de instruções.

Neste manual de instruções, a palavra "aparelho" refere-se sempre ao berbequim de percussão/aparafusadora a bateria SFH 18-A com a bateria engatada.

Vista geral do produto **1**

- ① Punho auxiliar
- ② Mandril de aperto rápido
- ③ Anel de regulação para torque, furar e furar com percussão
- ④ Regulador de duas velocidades
- ⑤ Comutador de rotação para a direita/esquerda com dispositivo de bloqueio

- ⑥ Interruptor on/off (com regulação electrónica da velocidade)

- ⑦ Punho

- ⑧ Botões de destravamento com função adicional – activação do indicador do estado de carga

- ⑨ Placa de características

- ⑩ Gancho de cinto (opcional)

- ⑪ Indicador do estado de carga e de avaria (bateria de iões de lítio)

pt

1 Informações gerais

1.1 Indicações de perigo e seu significado

PERIGO

Indica perigo iminente que pode originar acidentes pessoais graves ou até mesmo fatais.

AVISO

Indica uma situação potencialmente perigosa que pode causar graves ferimentos pessoais, até mesmo fatais.

CUIDADO

Indica uma situação potencialmente perigosa que pode originar ferimentos ligeiros ou danos na ferramenta ou noutros materiais.

NOTA

Indica instruções ou outras informações úteis.

1.2 Significado dos pictogramas e outras notas

Sinais de aviso



Perigo geral

Sinais de obrigação



Leia o manual de instruções antes de utilizar o aparelho.

Símbolos



Corrente contínua

n_0

Velocidade nominal de rotação sem carga

/min

Rotações por minuto

RPM

Rotações por minuto

pt



Perfurar com percussão



Perfurar sem percussão

Localização da informação na ferramenta

A designação consta da placa de características em baixo na base da ferramenta, enquanto o número de série figura no lado da carcaça. Anote estes dados no seu manual de instruções e faça referência a estas indicações sempre que necessitar de qualquer peça/acessório para a ferramenta.

Tipo:

Geração: 02

Número de série:

2 Normas de segurança

NOTA

As Normas de segurança no capítulo 2.1 contêm todas as normas gerais de segurança para ferramentas eléctricas, que, de acordo com as normas aplicáveis, devem ser indicadas no manual de instruções. Por conseguinte, podem estar incluídas indicações que não são relevantes para esta ferramenta.

2.1 Normas de segurança gerais para ferramentas eléctricas

a)  **AVISO**

Leia todas as normas de segurança e instruções. O não cumprimento das normas de segurança e instruções pode resultar em choque eléctrico, incêndio e/ou lesões graves. **Guarde bem todas as normas de segurança e instruções para futura referência.** O termo "ferramenta eléctrica" utilizado nas normas de segurança refere-se a ferramentas com ligação à corrente eléctrica (com cabo de alimentação) ou ferramentas a bateria (sem cabo).

pt

2.1.1 Segurança no posto de trabalho

- a) **Mantenha a sua área de trabalho limpa e bem iluminada.** Locais desarrumados ou mal iluminados podem ocasionar acidentes.
- b) **Não utilize a ferramenta eléctrica em ambientes explosivos ou na proximidade de líquidos ou gases inflamáveis.** Ferramentas eléctricas produzem faíscas que podem provocar a ignição de pó e vapores.
- c) **Mantenha crianças e terceiros afastados durante os trabalhos.** Distrações podem conduzir à perda de controlo sobre a ferramenta.

2.1.2 Segurança eléctrica

- a) **A ficha da ferramenta eléctrica deve servir na tomada. A ficha não deve ser modificada de modo algum. Não utilize quaisquer adaptadores com ferramentas eléctricas com ligação terra.** Fichas originais (não modificadas) e tomadas adequadas reduzem o risco de choque eléctrico.
- b) **Evite o contacto do corpo com superfícies ligadas à terra, como, por exemplo, canos, radiadores, fogões e frigoríficos.** Existe um risco elevado de choque eléctrico se o corpo estiver em contacto com a terra.
- c) **As ferramentas eléctricas não devem ser expostas à chuva nem à humidade.** A infiltração de água numa ferramenta eléctrica aumenta o risco de choque eléctrico.
- d) **Não use o cabo para transportar, arrastar ou desligar a ferramenta eléctrica da tomada. Mantenha o cabo afastado de calor, óleo, arestas vivas ou partes em movimento da ferramenta.** Cabos danificados ou emaranhados aumentam o risco de choque eléctrico.
- e) **Quando operar uma ferramenta eléctrica ao ar livre, utilize apenas cabos de extensão próprios para utilização no exterior.** A utilização de cabos de extensão próprios para exterior reduz o risco de choque eléctrico.

- f) **Utilize um disjuntor diferencial se não puder ser evitada a utilização da ferramenta eléctrica em ambiente húmido.** A utilização e um disjuntor diferencial reduz o risco de choque eléctrico.

2.1.3 Segurança física

- a) **Esteja alerta, observe o que está a fazer, e tenha prudência ao trabalhar com uma ferramenta eléctrica. Não use qualquer ferramenta eléctrica se estiver cansado ou sob a influência de drogas, álcool ou medicamentos.** Um momento de distração ao operar a ferramenta eléctrica pode causar ferimentos graves.
- b) **Use equipamento de segurança. Use sempre óculos de protecção.** Equipamento de segurança, como, por exemplo, máscara antipoeiras, sapatos de segurança antiderrapantes, capacete de segurança ou protecção auricular, de acordo com o tipo e aplicação da ferramenta eléctrica, reduzem o risco de lesões.
- c) **Evite um arranque involuntário. Assegure-se de que a ferramenta eléctrica está desligada antes de a ligar à fonte de alimentação e/ou à bateria, pegar nela ou a transportar.** Transportar a ferramenta eléctrica com o dedo no interruptor ou ligar uma ferramenta à tomada com o interruptor ligado (ON) pode resultar em acidentes.
- d) **Remova quaisquer chaves de ajuste (chaves de fenda), antes de ligar a ferramenta eléctrica.** Um acessório ou chave deixado preso numa parte rotativa da ferramenta pode causar ferimentos.
- e) **Evite posturas corporais desfavoráveis. Mantenha sempre uma posição correcta, em perfeito equilíbrio.** Desta forma será mais fácil manter o controlo sobre a ferramenta eléctrica em situações inesperadas.
- f) **Use roupa apropriada. Não use roupa larga ou jóias. Mantenha o cabelo, vestuário e luvas afastados das peças móveis.** Roupas largas, jóias ou cabelos compridos podem ficar presos nas peças móveis.
- g) **Se poderem ser montados sistemas de aspiração e de recolha de pó, assegure-se de que estão ligados e são utilizados correctamente.** A utilização de um sistema de remoção de pó pode reduzir os perigos relacionados com a exposição ao mesmo.

2.1.4 Utilização e manuseamento da ferramenta eléctrica

- a) **Não sobrecarregue a ferramenta. Use para o seu trabalho a ferramenta eléctrica correcta.** Com a ferramenta eléctrica adequada obterá maior eficiência e segurança se respeitar os seus limites.

pt

- b) **Não utilize a ferramenta eléctrica se o interruptor estiver defeituoso.**
Uma ferramenta eléctrica que já não possa ser accionada pelo interruptor é perigosa e deve ser reparada.
- c) **Retire a ficha da tomada e/ou remova a bateria antes de efectuar ajustes na ferramenta, substituir acessórios ou guardar a ferramenta eléctrica.** Esta medida preventiva evita o accionamento acidental da ferramenta eléctrica.
- d) **Guarde ferramentas eléctricas não utilizadas fora do alcance das crianças. Não permita que a ferramenta seja utilizada por pessoas não qualificadas ou que não tenham lido estas instruções.** Ferramentas eléctricas operadas por pessoas não treinadas são perigosas.
- e) **Faça uma manutenção regular das ferramentas eléctricas. Verifique se as partes móveis funcionam perfeitamente e não emperram ou se há peças quebradas ou danificadas que possam influenciar o funcionamento da ferramenta eléctrica. Peças danificadas devem ser reparadas antes da utilização da ferramenta.** Muitos acidentes são causados por ferramentas eléctricas com manutenção deficiente.
- f) **Mantenha as ferramentas de corte sempre afiadas e limpas.** Ferramentas de corte com gumes afiados tratadas correctamente emperram menos e são mais fáceis de controlar.
- g) **Utilize a ferramenta eléctrica, acessórios, bits, etc., de acordo com estas instruções. Tome também em consideração as condições de trabalho e o trabalho a ser efectuado.** A utilização da ferramenta eléctrica para outros fins além dos previstos, pode ocasionar situações de perigo.

2.1.5 Utilização e manuseamento da ferramenta a bateria

- a) **Apenas deverá carregar as baterias em carregadores recomendados pelo fabricante.** Num carregador adequado para um determinado tipo de baterias, existe perigo de incêndio se for utilizado com outro tipo de baterias.
- b) **Nas ferramentas eléctricas utilize apenas as baterias previstas.** A utilização de outras baterias pode causar ferimentos e riscos de incêndio.
- c) **Quando a bateria não estiver em uso, mantenha-a afastada de outros objectos de metal, como, por exemplo, cliques, moedas, chaves, pregos, parafusos, ou outros pequenos objectos metálicos que possam ligar em ponte os contactos.** Um curto-circuito entre os contactos da bateria pode causar queimaduras ou um incêndio.
- d) **Utilizações inadequadas podem provocar derrame do líquido da bateria. Evite o contacto com este líquido. No caso de contacto acidental, enxágue imediatamente com água. Se o líquido entrar em contacto com os olhos, procure auxílio médico.** O líquido que escorre da bateria pode provocar irritações ou queimaduras da pele.

2.1.6 Reparação

- a) **A sua ferramenta eléctrica só deve ser reparada por pessoal qualificado e só devem ser utilizadas peças sobressalentes originais.** Isto assegurará que a segurança da ferramenta eléctrica se mantenha.

2.2 Normas de segurança para berbequins

- a) **Ao furar com percussão, use protecção auricular.** Ruído em excesso pode levar à perda de audição.
- b) **Utilize os punhos auxiliares fornecidos com a ferramenta.** A perda de controlo da ferramenta pode causar ferimentos.
- c) **Segure a ferramenta apenas pelas áreas isoladas dos punhos quando executar trabalhos onde o acessório pode encontrar cabos eléctricos encobertos.** O contacto com um cabo sob tensão também pode colocar partes metálicas da ferramenta sob tensão e causar um choque eléctrico

pt

2.3 Normas de segurança adicionais

2.3.1 Segurança física

- a) **Não é permitida a modificação ou manipulação da ferramenta.**
- b) **Segure a ferramenta pelas áreas isoladas dos punhos, quando executar trabalhos onde o parafuso pode encontrar cabos eléctricos encobertos.** O contacto do parafuso com um cabo sob tensão também pode colocar partes metálicas da ferramenta sob tensão e causar um choque eléctrico.
- c) **Mantenha os punhos secos, limpos e isentos de óleos e massas.**
- d) **Faça pausas para relaxar os músculos e melhorar a circulação sanguínea nas mãos.**
- e) **Evite o contacto com peças rotativas. Ligue a ferramenta apenas quando estiver no local de trabalho.** O contacto com peças rotativas, nomeadamente brocas, discos, lâminas, etc. pode causar ferimentos.
- f) **Active o dispositivo de bloqueio (comutador ESQ/DIR em posição central) quando guardar ou transportar a ferramenta.**
- g) **A ferramenta não está concebida para pessoas debilitadas sem formação. Mantenha a ferramenta fora do alcance das crianças.**
- h) Pós de materiais, como tinta com chumbo, algumas madeiras, betão/alvenaria/rochas quartzíferas, minerais e metal podem ser nocivos. O contacto com ou a inalação do pó pode provocar reacções alérgicas e/ou doenças das vias respiratórias no operador ou em pessoas que se encontrem nas proximidades. Determinados pós, como os de carvalho ou de faia, são considerados cancerígenos, especialmente em combinação com aditivos para o tratamento de madeiras (cromato, produtos

para a preservação de madeiras). Material que contenha amianto só pode ser manuseado por pessoal especializado. **Se possível, utilize um aspirador de pó. Para alcançar um elevado grau de remoção de pó, utilize um aspirador móvel. Utilize igualmente uma máscara antipoeiras adequada ao respectivo pó. Assegure-se de que o local de trabalho está bem ventilado. Respeite as regulamentações em vigor no seu país relativas aos materiais a trabalhar.**

- i) **O utilizador e restantes pessoas que se encontrem na proximidade da ferramenta devem usar óculos de protecção adequados e aprovados em conformidade com a norma ANSI Z87.1, capacete de segurança, protecção auricular, luvas de protecção e máscara antipoeiras.**

2.3.2 Utilização e manutenção de ferramentas eléctricas

- a) **Para maior segurança e porque assim fica com ambas as mãos livres para segurar a máquina, use grampos ou um torno para segurar peças soltas.**
- b) **Verifique se os acessórios utilizados são compatíveis com o sistema de encaixe e se estão correctamente encaixados.**
- c) **Acessórios grandes e pesados só podem ser operados na primeira velocidade.** Caso contrário, existe o perigo de a ferramenta ser danificada ao desligar ou de o mandril se soltar em situações desfavoráveis.

2.3.3 Utilização e manutenção de ferramentas com bateria

- a) **Antes de introduzir a bateria, certifique-se de que a ferramenta está desligada.** A introdução de uma bateria numa ferramenta eléctrica ligada pode causar acidentes.
- b) **Mantenha as baterias afastadas de temperaturas elevadas e do fogo.** Existe risco de explosão.
- c) **As baterias não podem ser desmanteladas, esmagadas, aquecidas acima dos 80 °C ou incineradas.** Caso contrário, existe risco de fogo, explosão ou queimadura por ácido cáustico.
- d) **Evite a entrada de humidade.** A humidade infiltrada pode provocar um curto-circuito e originar queimaduras ou um incêndio.
- e) **Observe as regras específicas sobre transporte, armazenagem e utilização de baterias de iões de lítio.**
- f) **Evite curto-circuitar os terminais da bateria. Antes de encaixar a bateria na ferramenta, certifique-se de que os contactos da bateria e na ferramenta estão livres de corpos estranhos.** Se os contactos de uma bateria forem curto-circuitados, existe risco de incêndio, explosão e de corrosão.

- g) **Baterias danificadas (por exemplo, com fissuras, peças partidas, contactos dobrados, empurrados para trás e/ou puxados para fora) não podem ser carregadas nem continuar a ser utilizadas.**
- h) Se a bateria estiver demasiado quente ao toque, poderá estar avariada. **Coloque a ferramenta num local que não constitua risco de incêndio suficientemente afastado de materiais combustíveis, onde possa ser vigiada e deixe-a arrefecer. Contacte o Centro de Assistência Técnica Hilti depois de a bateria ter arrefecido.**

2.3.4 Segurança eléctrica

Antes de iniciar os trabalhos, verifique o local de trabalho relativamente a cabos eléctricos encobertos, bem como tubos de gás e água, p.ex., com um detector de metais. Partes metálicas externas da ferramenta podem transformar-se em condutores de corrente se, p.ex., uma linha eléctrica for danificada inadvertidamente. Isto representa um sério perigo de choque eléctrico.

3 Descrição

3.1 Utilização correcta

A SFH 18-A é um berbequim de percussão/aparafusadora a bateria de utilização manual e destina-se a apertar e desapertar parafusos, furar aço, madeira e plástico. Fura com percussão em betão leve e alvenaria.

Não utilize as baterias como fonte de energia para outros consumidores não especificados.

Para evitar ferimentos/danos, use apenas acessórios e equipamento auxiliar Hilti.

A ferramenta foi concebida para uso profissional e só deve ser utilizada, feita a sua manutenção e reparada por pessoal autorizado e devidamente credenciado. Estas pessoas deverão ser informadas sobre os potenciais perigos que a ferramenta representa. A ferramenta e seu equipamento auxiliar podem representar perigo se usados incorrectamente por pessoas não qualificadas ou se usados para fins diferentes daqueles para os quais foram concebidos.

3.2 Incluído no equipamento padrão:

- 1 Ferramenta
- 1 Punho auxiliar
- 1 Manual de instruções

NOTA

Podem encontrar acessórios permitidos no seu Centro de Assistência Hilti ou online, em www.hilti.com.

3.3 Para a utilização da ferramenta é necessário adicionalmente

Uma bateria recomendada adequada (ver tabela Características técnicas) e um carregador adequado da série C 436.

pt

3.4 Indicador do estado de carga e de sobreaquecimento da bateria de iões de lítio

Caso se utilizem baterias de iões de lítio, o estado de carga pode ser visualizado pressionando levemente um dos botões de destravamento (pressionar até sentir uma resistência – não destrava a bateria!). Os LEDs na parte de trás da bateria fornecem as seguintes informações:

LED permanente-mente aceso	LED a piscar	Estado de carga C
LED 1, 2, 3, 4	-	$C \geq 75\%$
LED 1, 2, 3	-	$50\% \leq C < 75\%$
LED 1, 2	-	$25\% \leq C < 50\%$
LED 1	-	$10\% \leq C < 25\%$
-	LED 1	$C < 10\%$
-	LED 1	Bateria sobreaquecida

NOTA

Não é possível a consulta do estado de carga durante e imediatamente a seguir aos trabalhos. Se os LED da indicação do estado de carga da bateria estiverem a piscar, leia as indicações no Capítulo Avarias possíveis.

3.5 Indicador de sobrecarga e de sobreaquecimento da ferramenta

A ferramenta está equipada com uma protecção electrónica contra sobrecarga e sobreaquecimento (disjuntor térmico). A ferramenta é desligada automaticamente em caso de sobrecarga e sobreaquecimento. Se se soltar e voltar a pressionar o interruptor on/off, podem ocorrer atrasos na activação (fases de arrefecimento da ferramenta).

Luz (LED) permanente	LED a piscar	Estado da ferramenta
-	LED 1, 2, 3, 4	Ferramenta sobrecarregada ou sobreaquecida

4 Características técnicas

Reservamo-nos o direito de proceder a alterações técnicas!

Ferramenta	SFH 18-A
Tensão nominal (contínua)	21,6 V
Peso	2,9 kg (6,39 lb)
Número de rotações 1.ª velocidade	0...370/min
Número de rotações 2.ª velocidade	0...2 140/min
Torque (para aparafusamento em material macio) na posição de furar (ver símbolo)	Máx. 50 Nm (444 in/lbs)
Regulação do torque (15 posições)	2... 12 Nm (12 in/lbs...108 in/lbs)
Velocidade de impacto ao furar na 3.ª velocidade	39 000 1/min
Furar com percussão em alvenaria (comprimento máx. 100 mm)	∅ 4... 12 mm (1/8" ...1/2")
Amplitude de aperto do mandril de aperto rápido	∅ 1,5... 13 mm (1/16" - 1/2")
Diâmetro das brocas para furar em madeira (macia)	∅ 1,5...32 mm (1/16" - 1 1/4")
Diâmetro das brocas para furar em madeira (dura)	∅ 1,5...20 mm (1/16" - 3/4")
Diâmetro das brocas para furar em metal	∅ 1,5... 13 mm (1/16" - 1/2")

pt

Bateria	B 18/3.3 Li-Ion	B 18/2.6 Li-Ion (01)	B 18/2.6 Li-Ion (02)	B 18/5.2 Li-Ion	B 18/1.6 Li-Ion
Tensão nominal	21,6 V	21,6 V	21,6 V	21,6 V	21,6 V
Capacidade	3,3 Ah	2,6 Ah	2,6 Ah	5,2 Ah	1,6 Ah
Conteúdo energético	71,28 Wh	56,16 Wh	56,16 Wh	112,32 Wh	34,56 Wh
Peso	0,78 kg (1,72 lb)	0,78 kg (1,72 lb)	0,48 kg (1,06 lb)	0,78 kg (1,72 lb)	0,48 kg (1,06 lb)

Bateria	B 18/3.3 Li-Ion	B 18/2.6 Li-Ion (01)	B 18/2.6 Li-Ion (02)	B 18/5.2 Li-Ion	B 18/1.6 Li-Ion
Número de células	12	12	6	12	6

5 Antes de iniciar a utilização

pt

5.1 Carga de uma bateria usada

Certifique-se de que as superfícies exteriores da bateria estão limpas e secas antes de a colocar no respectivo carregador.

Leia o manual de instruções do carregador antes de iniciar a carga.

5.2 Encaixar a bateria **2**

CUIDADO

Antes de introduzir a bateria, certifique-se de que a ferramenta está desligada e o dispositivo de bloqueio (comutador de rotação para a direita/esquerda em posição central) activado. Use apenas as baterias Hilti aprovadas para a sua ferramenta.

1. **CUIDADO** Uma bateria mal encaixada pode causar acidentes.

Verifique se a bateria está correctamente encaixada na ferramenta.

5.3 Retirar a bateria **3**

5.4 Colocar e regular o punho auxiliar **4**

PERIGO

Preste atenção para que a abraçadeira esteja encaixada na ranhura prevista para o efeito na ferramenta e o punho auxiliar bem apertado.

5.5 Transporte e armazenamento de baterias

Puxe a bateria da posição de travamento (posição de trabalho) para a primeira posição de engate (posição de transporte).

Ao enviar as baterias (transporte rodoviário, ferroviário, marítimo ou aéreo), observe as normas de transporte nacionais e internacionais em vigor.

6 Utilização

CUIDADO

A ferramenta pode aquecer durante a utilização. **Calce luvas de protecção.**

CUIDADO

Ao furar, furar com percussão e aparafusar, a ferramenta pode desviar-se para os lados. Utilize sempre a ferramenta com o punho auxiliar e segure-a com as duas mãos.

CUIDADO

Ao efectuar a troca de acessórios, calce luvas de protecção para evitar ferimentos provocados pelo acessório.

6.1 Ajustar rotação para a direita ou para a esquerda **5**

NOTA

O sentido de rotação do veio da ferramenta pode ser seleccionado através do comutador de rotação. Um dispositivo de bloqueio impede a mudança do sentido de rotação enquanto o motor está a funcionar. Na posição central, o interruptor on/off encontra-se bloqueado. Se pressionar o comutador para a esquerda (ferramenta na posição de funcionamento), ajusta a rotação para a direita. Se pressionar o comutador para a direita (ferramenta na posição de funcionamento), ajusta a rotação para a esquerda.

pt

6.2 Selecção da velocidade através do regulador de duas velocidades **6**

AVISO

Acessórios grandes e pesados só podem ser operados na primeira velocidade. Caso contrário, existe o perigo de a ferramenta ser danificada ao desligar ou de o mandril se soltar em situações desfavoráveis.

NOTA

Selecione a velocidade desejada através do regulador de velocidades. Velocidades com a bateria totalmente carregada: 1.ª velocidade: 0-370 rpm ou 2.ª velocidade: 0-2140 rpm.

6.3 Ligar/desligar

Pressionando suavemente o interruptor on/off, pode seleccionar gradualmente a velocidade até alcançar a velocidade máxima.

6.4 Inserir a broca

NOTA

O encabadouro da ferramenta tem de estar limpo e ligeiramente lubrificado. Utilize gordura Hilti, uma vez que esta está adaptada especificamente ao sistema vedante.

1. Empurre o acessório para dentro do mandril e rode o mandril de aperto rápido para fixar, até se puderem ouvir vários cliques mecânicos.
2. Verifique se o acessório está bem apertado.

6.5 Retirar a broca

1. Abra o mandril de aperto rápido.
2. Puxe a broca para fora do mandril.

6.6 Furar

CUIDADO

Para maior segurança e porque assim fica com ambas as mãos livres para segurar a ferramenta, use grampos ou um torno para segurar peças soltas.

1. Rode o anel de regulação do torque e modo de operação para a posição “Furar”.
2. Coloque o comutador de rotação na posição de rotação para a direita.

6.7 Furar com percussão

1. Rode o anel de regulação do torque e modo de operação para a posição “Furar com percussão”.
2. Coloque o comutador de rotação na posição de rotação para a direita.

6.8 Aparafusar

6.8.1 Inserir o porta-bits/ bit

1. Abra o mandril de aperto rápido.
2. Insira o porta-bits no mandril de aperto rápido e rode-o para fixar.
3. Tente puxar o porta-bits para fora do mandril, verificando assim se está bem fixo.
4. Insira o bit no porta-bits.

6.8.2 Aparafusar

1. Seleccione o torque no anel de regulação para torque, furar e furar com percussão.
2. Seleccione o sentido de rotação desejado através do comutador de rotação.

6.8.3 Retirar o bit/porta-bits

1. Retire o bit para fora do porta-bits.
2. Abra o mandril de aperto rápido.
3. Retire o porta-bits.

6.9 Gancho de cinto 7

CUIDADO

Antes de iniciar os trabalhos, verifique se o gancho de cinto está realmente fixo.

O gancho de cinto permite-lhe fixar a ferramenta no cinto, encostada ao corpo. O gancho de cinto também pode ser mudado para o outro lado da ferramenta para poder ser utilizada por dextrímanos.

7 Conservação e manutenção

pt

AVISO

As reparações na parte eléctrica apenas podem ser executadas por um electricista especializado.

7.1 Manutenção da ferramenta

CUIDADO

Mantenha a ferramenta, particularmente as superfícies do punho, seca, limpa e isenta de óleos e massas. Não utilize produtos de limpeza que contenham silicone.

As saídas de ar devem estar sempre limpas e desobstruídas! Limpe as saídas de ar cuidadosamente com uma escova seca. Evite a penetração de corpos estranhos no interior da ferramenta. Limpe regularmente o exterior da ferramenta com um pano ligeiramente húmido. Não utilize qualquer spray, sistema de vapor ou água, pois poderá afectar negativamente a parte eléctrica da ferramenta.

7.2 Conservação das baterias de iões de lítio

NOTA

A baixas temperaturas, a performance da bateria diminui consideravelmente.

NOTA

Guarde a bateria em local fresco e seco.

Para conseguir a vida útil máxima das baterias, desligue a ferramenta logo que seja notada uma quebra no desempenho da bateria.

NOTA

- Se se mantiver o funcionamento, este será automaticamente parado antes que a descarga possa danificar as células.
- Carregue as baterias com os carregadores aprovados pela Hilti para baterias de iões de lítio.

8 Avarias possíveis

Falha	Causa possível	Solução
A ferramenta não funciona.	A bateria está descarregada ou não está correctamente encaixada.	O encaixe da bateria deve ser audível ("duplo clique") ou a bateria deve ser recarregada.
	Avaria eléctrica.	Retire a bateria da ferramenta e contacte um Centro de Assistência Técnica Hilti.
A ferramenta não funciona e piscam todos os 4 LEDs.)	Ferramenta temporariamente sobrecarregada.	Soltar e voltar a pressionar o interruptor on/off.
	Disjuntor térmico.	Deixe a ferramenta arrefecer. Limpe as saídas de ar.
A ferramenta não funciona e pisca 1 LED.	A bateria está descarregada.	Substitua a bateria e carregue a bateria descarregada.
	Bateria demasiado quente ou demasiado fria.	Deixe que a bateria atinja a temperatura de funcionamento recomendada.
Não tem percussão.	O anel de regulação do torque e modo de operação não está na posição "Furar com percussão".	Rodar o anel de regulação do torque e modo de operação para a posição "Furar com percussão".
Não é possível pressionar o interruptor on/off (está bloqueado).	O comutador de rotação para a direita/esquerda está em posição central (posição de transporte).	Pressione o comutador de rotação para a esquerda ou a direita.
A bateria descarrega-se mais depressa do que habitualmente.	Temperatura ambiente muito baixa.	Deixar a bateria aquecer lentamente até à temperatura ambiente.

pt

Falha	Causa possível	Solução
A bateria não encaixa com duplo clique audível.	Patilhas de fixação da bateria sujas.	Limpe as patilhas de fixação e encaixar a bateria. Contacte um Centro de Assistência Técnica Hilti caso o problema se mantenha.
Ferramenta ou bateria aquece demasiado.	Avaria eléctrica.	Desligue imediatamente a ferramenta, retire a bateria da ferramenta e procure um Centro de Assistência Técnica Hilti.
	Sobrecarga por ter excedido os limites da ferramenta.	Seleccção correcta da ferramenta em função da utilização.

pt

9 Reciclagem

CUIDADO

A reciclagem incorrecta do equipamento pode ter graves consequências: a combustão de componentes plásticos pode gerar fumos tóxicos que apresentam um perigo para a saúde. Se danificadas ou expostas a temperaturas muito elevadas, as baterias podem explodir, originando queimaduras por ácido, intoxicação e poluição ambiental. Uma reciclagem incorrecta (ou ausência desta) permite que pessoas não autorizadas/habilitadas utilizem o equipamento para fins diferentes daqueles para os quais foi concebido. Consequentemente, podem ferir-se a si próprias ou a terceiros ou causar poluição ambiental.

CUIDADO

Recicle imediatamente as baterias avariadas. Mantenha-as afastadas do alcance das crianças. Não desmantele nem incinere as baterias.

CUIDADO

A reciclagem das baterias deve ser feita de acordo com os regulamentos nacionais/locais em vigor. A Hilti recebe baterias usadas para reciclagem.



As ferramentas Hilti são, em grande parte, fabricadas com materiais recicláveis. Um pré-requisito para a reciclagem é que esses materiais sejam

devidamente separados. A Hilti já iniciou em muitos países a recolha da sua ferramenta usada para fins de reaproveitamento. Para mais informações dirija-se ao Serviço de Clientes Hilti ou ao seu vendedor.

10 Garantia do fabricante - Ferramentas

Em caso de dúvidas quanto às condições de garantia, contacte o seu parceiro HILTI local.

pt

ETL listed to US and Canadian safety standards
Homologué ETL (conforme aux normes de sécurité américaines et canadiennes)
Producto homologado según normas de seguridad americanas y canadienses
Produto homologado de acordo com as normas de segurança americanas e canadianas



HILTI

Hilti Corporation

LI-9494 Schaan

Tel.: +423 / 234 21 11

Fax: +423 / 234 29 65

www.hilti.com

Hilti = registered trademark of Hilti Corp., Schaan
Pos. 3_USA | 20150612

