



SC 60W-A36

English

1 Information about the documentation

1.1 About this documentation

- Read this documentation before initial operation or use. This is a prerequisite for safe, trouble-free handling and use of the product.
- Observe the safety instructions and warnings in this documentation and on the product.
- Always keep the operating instructions with the product and make sure that the operating instructions are with the product when it is given to other persons.

1.2 Explanation of symbols used

1.2.1 Warnings

Warnings alert persons to hazards that occur when handling or using the product. The following signal words are used:

DANGER

DANGER !

- ▶ Draws attention to imminent danger that will lead to serious personal injury or fatality.

WARNING

WARNING !

- ▶ Draws attention to a potential threat of danger that can lead to serious injury or fatality.





CAUTION

CAUTION !

- ▶ Draws attention to a potentially dangerous situation that could lead to slight personal injury or damage to the equipment or other property.

1.2.2 Symbols in the documentation

The following symbols are used in this document:

	Read the operating instructions before use.
	Instructions for use and other useful information
	Dealing with recyclable materials
	Do not dispose of electric equipment and batteries as household waste

1.2.3 Symbols in the illustrations

The following symbols are used in illustrations:

2	These numbers refer to the corresponding illustrations found at the beginning of these operating instructions
3	The numbering reflects the sequence of operations shown in the illustrations and may deviate from the steps described in the text
⑪	Item reference numbers are used in the overview illustrations and refer to the numbers used in the product overview section
	This symbol is intended to draw special attention to certain points when handling the product.
	Wireless data transfer

1.3 Product information

products are designed for professional users and only trained, authorized personnel are permitted to operate, service and maintain the products. This personnel must be specifically informed about the possible hazards. The product and its ancillary equipment can present hazards if used incorrectly by untrained personnel or if used not in accordance with the intended use.

The type designation and serial number are printed on the rating plate.

- ▶ Write down the serial number in the table below. You will be required to state the product details when contacting Hilti Service or your local Hilti organization to inquire about the product.

Product information

Circular saw	SC 60W-A36
Generation	01
Serial no.	

1.4 Declaration of conformity

We declare, on our sole responsibility, that the product described here complies with the applicable directives and standards. A copy of the declaration issued by the certification department can be found at the end of this documentation.

The technical documentation is filed here:

Hilti Entwicklungsgesellschaft mbH | Tool Certification | Hiltistrasse 6 | 86916 Kaufering, Germany

2 Safety

2.1 General power tool safety warnings

⚠ WARNING Read all safety warnings, instructions, illustrations and specifications provided with this power tool. Failure to follow all instructions listed below may result in electric shock, fire and/or serious injury.

Save all warnings and instructions for future reference.

The term "power tool" in the warnings refers to your mains-operated (corded) power tool or battery-operated (cordless) power tool.

Work area safety

- ▶ **Keep work area clean and well lit.** Cluttered or dark areas invite accidents.
- ▶ **Do not operate power tools in explosive atmospheres, such as in the presence of flammable liquids, gases or dust.** Power tools create sparks which may ignite the dust or fumes.
- ▶ **Keep children and bystanders away while operating a power tool.** Distractions can cause you to lose control.

Electrical safety

- ▶ **Power tool plugs must match the outlet. Never modify the plug in any way. Do not use any adapter plugs with earthed (grounded) power tools.** Unmodified plugs and matching outlets will reduce risk of electric shock.
- ▶ **Avoid body contact with earthed or grounded surfaces, such as pipes, radiators, ranges and refrigerators.** There is an increased risk of electric shock if your body is earthed or grounded.
- ▶ **Do not expose power tools to rain or wet conditions.** Water entering a power tool will increase the risk of electric shock.
- ▶ **Do not abuse the cord. Never use the cord for carrying, pulling or unplugging the power tool. Keep cord away from heat, oil, sharp edges or moving parts.** Damaged or entangled cords increase the risk of electric shock.
- ▶ **When operating a power tool outdoors, use an extension cord suitable for outdoor use.** Use of a cord suitable for outdoor use reduces the risk of electric shock.
- ▶ **If operating a power tool in a damp location is unavoidable, use a residual current device (RCD) protected supply.** Use of an RCD reduces the risk of electric shock.

Personal safety

- ▶ **Stay alert, watch what you are doing and use common sense when operating a power tool. Do not use a power tool while you are tired or under the influence of drugs, alcohol or medication.** A moment of inattention while operating power tools may result in serious personal injury.
- ▶ **Use personal protective equipment. Always wear eye protection.** Protective equipment such as a dust mask, non-skid safety shoes, hard hat or hearing protection used for appropriate conditions will reduce personal injuries.
- ▶ **Prevent unintentional starting. Ensure the switch is in the off-position before connecting to power source and/or battery pack, picking up**

or carrying the tool. Carrying power tools with your finger on the switch or energising power tools that have the switch on invites accidents.

- ▶ **Remove any adjusting key or wrench before turning the power tool on.** A wrench or a key left attached to a rotating part of the power tool may result in personal injury.
- ▶ **Do not overreach. Keep proper footing and balance at all times.** This enables better control of the power tool in unexpected situations.
- ▶ **Dress properly. Do not wear loose clothing or jewellery. Keep your hair and clothing away from moving parts.** Loose clothes, jewellery or long hair can be caught in moving parts.
- ▶ **If devices are provided for the connection of dust extraction and collection facilities, ensure these are connected and properly used.** Use of dust collection can reduce dust-related hazards.
- ▶ **Do not let familiarity gained from frequent use of tools allow you to become complacent and ignore tool safety principles.** A careless action can cause severe injury within a fraction of a second.

Power tool use and care

- ▶ **Do not force the power tool. Use the correct power tool for your application.** The correct power tool will do the job better and safer at the rate for which it was designed.
- ▶ **Do not use the power tool if the switch does not turn it on and off.** Any power tool that cannot be controlled with the switch is dangerous and must be repaired.
- ▶ **Disconnect the plug from the power source and/or remove the battery pack, if detachable, from the power tool before making any adjustments, changing accessories, or storing power tools.** Such preventive safety measures reduce the risk of starting the power tool accidentally.
- ▶ **Store idle power tools out of the reach of children and do not allow persons unfamiliar with the power tool or these instructions to operate the power tool.** Power tools are dangerous in the hands of untrained users.
- ▶ **Maintain power tools and accessories. Check for misalignment or binding of moving parts, breakage of parts and any other condition that may affect the power tool's operation. If damaged, have the power tool repaired before use.** Many accidents are caused by poorly maintained power tools.
- ▶ **Keep cutting tools sharp and clean.** Properly maintained cutting tools with sharp cutting edges are less likely to bind and are easier to control.
- ▶ **Use the power tool, accessories and tool bits etc. in accordance with these instructions, taking into account the working conditions and the work to be performed.** Use of the power tool for operations different from those intended could result in a hazardous situation.

- ▶ **Keep handles and grasping surfaces dry, clean and free from oil and grease.** Slippery handles and grasping surfaces do not allow for safe handling and control of the tool in unexpected situations.

Battery tool use and care

- ▶ **Recharge only with the charger specified by the manufacturer.** A charger that is suitable for one type of battery pack may create a risk of fire when used with another battery pack.
- ▶ **Use power tools only with specifically designated battery packs.** Use of any other battery packs may create a risk of injury and fire.
- ▶ **When battery pack is not in use, keep it away from other metal objects, like paper clips, coins, keys, nails, screws or other small metal objects, that can make a connection from one terminal to another.** Shorting the battery terminals together may cause burns or a fire.
- ▶ **Under abusive conditions, liquid may be ejected from the battery; avoid contact. If contact accidentally occurs, flush with water. If liquid contacts eyes, additionally seek medical help.** Liquid ejected from the battery may cause irritation or burns.
- ▶ **Do not use a battery pack or tool that is damaged or modified.** Damaged or modified batteries may exhibit unpredictable behaviour resulting in fire, explosion or risk of injury.
- ▶ **Do not expose a battery pack or tool to fire or excessive temperature.** Exposure to fire or temperature above 265 °F may cause explosion.
- ▶ **Follow all charging instructions and do not charge the battery pack or tool outside the temperature range specified in the instructions.** Charging improperly or at temperatures outside the specified range may damage the battery and increase the risk of fire.

Service

- ▶ **Have your power tool serviced by a qualified repair person using only identical replacement parts.** This will ensure that the safety of the power tool is maintained.
- ▶ **Never service damaged battery packs.** Service of battery packs should only be performed by the manufacturer or authorized service providers.

2.2 Safety instructions for all saws

Cutting procedures

- ▶ **⚠ DANGER: Keep hands away from cutting area and the blade. Keep your second hand on auxiliary handle or motor housing.** If both hands are holding the saw, they cannot be cut by the blade.
- ▶ **Do not reach underneath the workpiece.** The guard cannot protect you from the blade below the workpiece.
- ▶ **Adjust the cutting depth to the thickness of the workpiece.** Less than a full tooth of the blade teeth should be visible below the workpiece.

- ▶ **Never hold the workpiece in your hands or across your leg while cutting. Secure the workpiece to a stable platform.** It is important to support the work properly to minimise body exposure, blade binding, or loss of control.
- ▶ **Hold the power tool by insulated gripping surfaces, when performing an operation where the cutting tool may contact hidden wiring.** Contact with a "live" wire will also make exposed metal parts of the power tool "live" and could give the operator an electric shock.
- ▶ **When ripping, always use a rip fence or straight edge guide.** This improves the accuracy of cut and reduces the chance of blade binding.
- ▶ **Always use blades with correct size and shape (diamond versus round) of arbour holes.** Blades that do not match the mounting hardware of the saw will run off-centre, causing loss of control.
- ▶ **Never use damaged or incorrect blade washers or bolt.** The blade washers and bolt were specially designed for your saw, for optimum performance and safety of operation.

Kickback causes and related warnings

- kickback is a sudden reaction to a pinched, jammed or misaligned saw blade, causing an uncontrolled saw to lift up and out of the workpiece toward the operator;
- when the blade is pinched or jammed tightly by the kerf closing down, the blade stalls and the motor reaction drives the unit rapidly back toward the operator;
- if the blade becomes twisted or misaligned in the cut, the teeth at the back edge of the blade can dig into the top surface of the wood causing the blade to climb out of the kerf and jump back toward the operator.

Kickback is the result of saw misuse and/or incorrect operating procedures or conditions and can be avoided by taking proper precautions as given below.

- ▶ **Maintain a firm grip with both hands on the saw and position your arms to resist kickback forces. Position your body to either side of the blade, but not in line with the blade.** Kickback could cause the saw to jump backwards, but kickback forces can be controlled by the operator, if proper precautions are taken.
- ▶ **When blade is binding, or when interrupting a cut for any reason, release the trigger and hold the saw motionless in the material until the blade comes to a complete stop. Never attempt to remove the saw from the work or pull the saw backward while the blade is in motion or kickback may occur.** Investigate and take corrective actions to eliminate the cause of blade binding.
- ▶ **When restarting a saw in the workpiece, centre the saw blade in the kerf so that the saw teeth are not engaged into the material.** If a saw blade binds, it may walk up or kickback from the workpiece as the saw is restarted.

- ▶ **Support large panels to minimise the risk of blade pinching and kickback.** Large panels tend to sag under their own weight. Supports must be placed under the panel on both sides, near the line of cut and near the edge of the panel.
- ▶ **Do not use dull or damaged blades.** Unsharpened or improperly set blades produce narrow kerf causing excessive friction, blade binding and kickback.
- ▶ **Blade depth and bevel adjusting locking levers must be tight and secure before making the cut.** If blade adjustment shifts while cutting, it may cause binding and kickback.
- ▶ **Use extra caution when sawing into existing walls or other blind areas.** The protruding blade may cut objects that can cause kickback.

Lower guard function

- ▶ **Check the lower guard for proper closing before each use. Do not operate the saw if the lower guard does not move freely and close instantly. Never clamp or tie the lower guard into the open position.** If the saw is accidentally dropped, the lower guard may be bent. Raise the lower guard with the retracting handle and make sure it moves freely and does not touch the blade or any other part, in all angles and depths of cut.
- ▶ **Check the operation of the guard return spring. If the guard and the spring are not operating properly, they must be serviced before use.** Lower guard may operate sluggishly due to damaged parts, gummy deposits, or a build-up of debris.
- ▶ **The lower guard may be retracted manually only for special cuts such as "plunge cuts" and "compound cuts". Raise the lower guard by the retracting handle and as soon as the blade enters the material, the lower guard must be released.** For all other sawing, the lower guard should operate automatically.
- ▶ **Always observe that the lower guard is covering the blade before placing the saw down on bench or floor.** An unprotected, coasting blade will cause the saw to walk backwards, cutting whatever is in its path. Be aware of the time it takes for the blade to stop after switch is released.

2.3 Additional safety instructions

Personal safety

- ▶ Do not tamper with or attempt to make alterations to the power tool.
- ▶ Wear ear protectors. Exposure to noise can cause hearing loss.
- ▶ Operate the power tool only together with the safety devices that belong to it.
- ▶ Take breaks between working and do relaxation and finger exercises to improve the blood circulation in your fingers.
- ▶ Switch the power tool on only after it is in position at the workpiece.

- ▶ When working with the power tool, always guide it away from your body.
- ▶ Never work overhead with the product.
- ▶ Do not attempt to brake the product by applying lateral pressure to the saw blade.
- ▶ Do not touch the clamping flange or the clamping screw while the power tool is running.
- ▶ The line of cut must be free of obstructions. Do not saw into screws, nails etc.
- ▶ Never press the drive spindle lock button while the saw blade is rotating.
- ▶ The power tool is not intended for use by debilitated persons who have received no special training. Keep the power tool out of reach of children.
- ▶ Do not point the power tool toward persons.
- ▶ Adapt the forward pressure applied to the saw blade and the material being cut so that the blade does not stall. A stalled saw blade can cause kickback.
- ▶ Avoid overheating the tips of the saw blade teeth.
- ▶ When cutting plastic, avoid melting the plastic.
- ▶ Dust from materials such as lead-based paint, certain types of wood and concrete, masonry and stone containing quartz, minerals and metal can be harmful to health. Contact with or inhalation of the dust can cause allergic reactions and/or respiratory or other diseases among operators or bystanders. Certain kinds of dust such as oakwood and beechwood dust are classified as carcinogenic, especially in conjunction with additives for wood conditioning (chromate, wood preservative). Only specialists are permitted to handle material containing asbestos. If necessary, wear a respirator appropriate for the type of dust generated. **Ensure that the workplace is well ventilated.** Comply with national regulations applicable to the materials you will be working with.
- ▶ Always engage the transport safety lock before storing or transporting the saw.
- ▶ Never carry the power tool with your finger on the on/off switch.
- ▶ Remove the battery from the power tool before breaks, before maintenance, before changing accessory tools and before transportation.
- ▶ Flying fragments can injure the body and eyes. Wear your personal protective equipment and always wear protective glasses and protective gloves.
- ▶ Use light respiratory protection when using the power tool without a dust removal system for work that creates dust.
- ▶ Always set the cutting depth to approx. 2 mm (0.08 inch) more than the thickness of the material to be cut.
- ▶ When working with the power tool, hold it securely with both hands.

Electrical safety

- ▶ **Before beginning work, check the working area (e.g. using a metal detector) to ensure that no concealed electric cables or gas and**

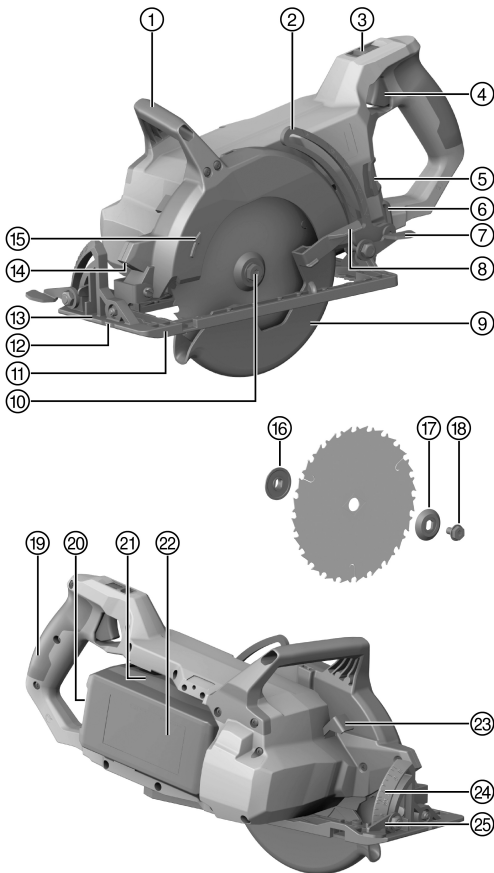
water pipes are present. External metal parts on the power tool can become live, for example if you inadvertently damage electric wiring. This presents a serious risk of electric shock.

2.4 Battery use and care

- ▶ Observe the special regulations and instructions applicable to the transport, storage and use of Li-ion batteries.
- ▶ Do not expose batteries to high temperatures, direct sunlight or fire.
- ▶ Do not disassemble, crush or incinerate batteries and do not subject them to temperatures over 80 °C.
- ▶ Do not use or charge batteries that have suffered mechanical impact, have been dropped from a height or show signs of damage. In this case, always contact your **Hilti Service**.
- ▶ If the battery is too hot to touch it may be defective. In this case, place the product in a non-flammable location, well away from flammable materials, where it can be kept under observation and allowed to cool down. In this case, always contact your **Hilti Service**.

3 Description

3.1 Product overview



- | | |
|---|---|
| ① Auxiliary grip | ⑭ Work-area light |
| ② Cutting depth scale | ⑮ Direction-of-rotation arrow |
| ③ Transport safety lock | ⑯ Mounting flange |
| ④ On/off switch | ⑰ Clamping flange |
| ⑤ Battery compartment release button | ⑱ Clamping screw |
| ⑥ Hex key | ⑲ Grip |
| ⑦ Clamping lever for cutting depth adjustment | ⑳ Charge-status and fault indicator |
| ⑧ Pivoting guard operating lever | ㉑ Release buttons (also used to activate the charge status indicator) |
| ⑨ Pivoting guard | ㉒ Battery |
| ⑩ Arbor | ㉓ Spindle lock button |
| ⑪ Base plate | ㉔ Cutting angle scale |
| ⑫ 0° cutting line indicator | ㉕ Clamping lever for cutting angle adjustment |
| ⑬ 45° cutting line indicator | |

3.2 Intended use

The product described is a cordless circular saw. It is designed for sawing wood or wood-like materials, plastics, drywall panel and gypsum fiber board.

- ▶ Use only **Hilti** Li-ion batteries from the B 36 series with this product.
- ▶ Use only **Hilti** battery chargers from the C4/36 series for these batteries.

3.3 Possible misuse



Do not use the saw to cut materials containing quartz.

Use of saw blades not in compliance with the given specification (e.g. diameter, speed of rotation, thickness) or use of cutting and grinding discs or blades made from high-alloy steel (HSS steel) is not permissible.

3.4 Transport safety lock

The power tool is equipped with a transport safety lock designed to avoid unintentional starting.

Disengage the transport safety lock before use of the power tool and re-engage it after use.

- To engage the transport safety lock, slide the transport safety lock to the rear until it engages .
- To disengage the transport safety lock, slide the transport safety lock forward until it disengages .

3.5 Items supplied

Circular saw, hex key, operating instructions.

i Other system products approved for use with this product can be found at your local **Hilti Store** or online at: **www.hilti.group** | USA: **www.hilti.com**

3.6 Li-ion battery display

The state of charge of the Li-ion battery and malfunctions of the power tool are indicated by the display on the Li-ion battery. The state of charge of the Li-ion battery is displayed after pressing one of the two battery release buttons.

Status	Meaning
4 battery LEDs light up.	• State of charge: 75 % to 100 %
3 battery LEDs light up.	• State of charge: 50 % to 75 %
2 battery LEDs light up.	• State of charge: 25 % to 50 %
1 battery LED lights up.	• State of charge: 10 % to 25 %
1 battery LED flashes, the power tool is in working order.	• State of charge: < 10 %

i Battery state of charge cannot be displayed while the on/off switch is pressed and for up to 5 seconds after releasing the on/off switch. If the battery display LEDs blink, please observe the instructions given in the Troubleshooting section.

4 Technical data

	SC 60W-A36
Rated voltage	36 V
Weight with battery (9.0 Ah)	5.84 kg (12.9 lb)
Saw blade disc thickness	0.02 in ... 0.06 in (0.5 mm ... 1.5 mm)
Saw blade arbor size	0.6 in (16 mm)
Cutting depth at 0°	0 in ... 2.37 in (0 mm ... 60.3 mm)
Cutting depth at 45°	0 in ... 1.94 in (0 mm ... 49.2 mm)
Cutting depth at 53°	0 in ... 1.69 in (0 mm ... 42.8 mm)
No-load speed	4,000 /min

5 Preparations at the workplace

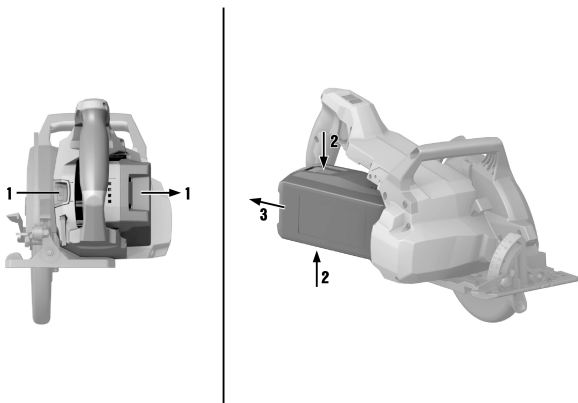
⚠ CAUTION

Risk of injury by inadvertent starting!

- ▶ Before inserting the battery, make sure that the product is switched off.
- ▶ Remove the battery before making any adjustments to the power tool or before changing accessories.

Observe the safety instructions and warnings in this documentation and on the product.

5.1 Removing the battery



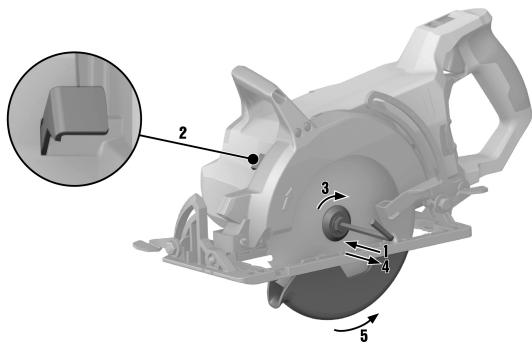
1. Press the battery compartment release button.
 - ◀ The battery compartment cover opens.
2. Press both release buttons on the battery simultaneously and pull the battery out of the tool.
3. Remove the battery.
4. Push the battery compartment cover into the closed position until it is heard to engage with a click.

5.2 Removing the saw blade

⚠ WARNING

Risk of burning injury. A hot accessory tool, clamping flange or clamping screw and the sharp edges of the saw blade present hazards.

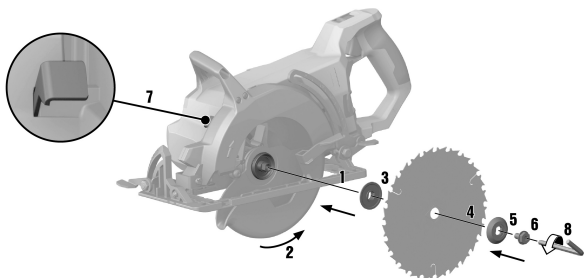
- ▶ Wear protective gloves when changing saw blades.



1. Remove the battery. → page 15
2. Insert the hex key into the saw blade clamping screw.
3. Press and hold down the spindle lock button.
4. Turn the saw blade clamping screw with the hex key until the spindle lock button engages fully.
5. Release the clamping screw by turning the hex key in the direction of the direction-of-rotation arrow.
6. Remove the clamping screw from the outer clamping flange.
7. Open the pivoting guard by swinging it to the side and then remove the saw blade.
8. Fit the outer flange by turning it in the direction opposite to that of the direction-of-rotation arrow.

5.3 Installing the saw blade

i Use only saw blades of a diameter corresponding to the markings on the saw.



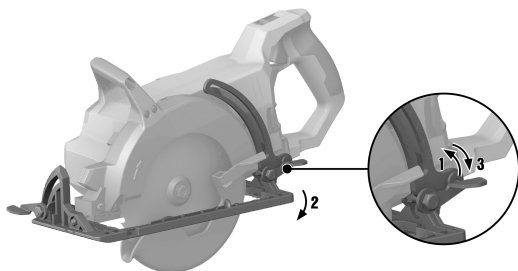
1. Remove the battery. → page 15
2. Clean the mounting flange and the clamping flange.
3. Slip the mounting flange right way round on to the arbor.
4. Open the pivoting guard.
5. Insert the new saw blade.

i Note the direction-of-rotation arrows on the saw blade and on the product. They must point in the same direction.

6. Install the outer clamping flange the right way round.
7. Insert the clamping screw.
8. Insert the hex key into the saw blade clamping screw.
9. Press the spindle lock button.
10. Secure the clamping flange with the clamping screw by turning the hex key in the direction opposite to the direction-of-rotation arrow.
 - ◀ The spindle lock button engages.
11. Before using the power tool, check that the saw blade is correctly seated and tightened securely.

12 Insert the hex key into the hole provided for the purpose.

5.4 Adjusting the cutting depth

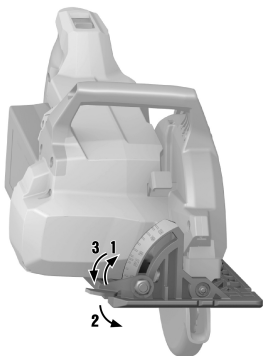


1. Release the cutting depth adjustment clamping lever.
2. Set the cutting depth.
 - ◀ The cutting depth is shown on the cutting depth scale.

i For a clean-edged cut, set cutting depth to the thickness of the material plus 2 mm.

3. Secure the cutting depth adjustment clamping lever.

5.5 Setting the cutting angle



1. Release the cutting angle adjustment clamping lever.
2. Set the cutting angle with the aid of the cutting angle scale.
3. Tighten the cutting angle adjustment clamping lever.

5.6 Inserting the battery

WARNING

Risk of injury Inadvertent starting of the circular saw.

- ▶ Before fitting the battery, check that the circular saw is switched off and that the transport safety lock is not engaged.

WARNING

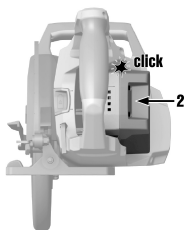
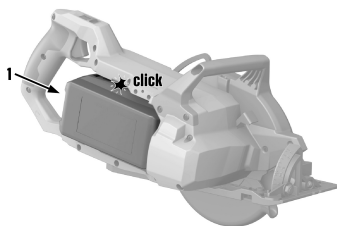
Electrical hazard! Risk of short circuiting.

- ▶ Before inserting the battery, check to ensure that the battery terminals and the contacts on the circular saw are free from foreign objects.

WARNING

Risk of injury! Hazard presented by a falling battery.

- ▶ A falling battery may present a risk of injury to yourself and others. Check that the battery is securely seated in the circular saw.



1. Press the battery compartment release button.
 - ◀ The battery compartment cover opens.
2. Push the battery into the tool from the rear until it is heard to engage.
3. Push the battery compartment cover into the closed position until it is heard to engage with a click.

6 Types of work



Check all safety devices before using the saw.

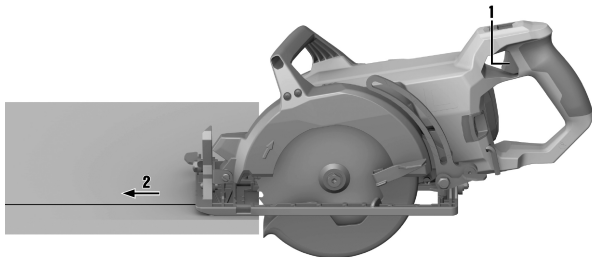
Open the pivoting guard fully and check that the guard automatically returns to the fully closed position when released. Clean the pivoting guard if necessary or have the product repaired by **Hilti Service**.

Observe the safety instructions and warnings in this documentation and on the product.

6.1 Switching the tool on

1. Disengage the transport safety lock.
2. Press the on/off switch.

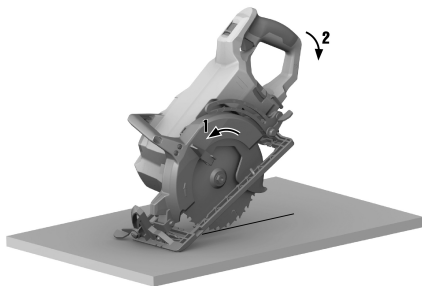
6.2 Sawing along a line



1. Secure the workpiece to prevent movement.
2. Position the workpiece so that the saw blade is free to rotate beneath it.
3. Check to ensure that the on/off switch on the power tool is in the “off” position.
4. Position the front edge of the saw’s base plate on the workpiece but do not bring the blade into contact with the workpiece.
5. Switch the tool on. → page 20
6. Guide the saw along the cutting line on the workpiece at a suitable speed.

i Observe the corresponding cutting line indicator markings on the base plate when cutting at angles of 0° and 45°.

6.3 Plunge function



1. Set the cutting depth. → page 18
2. Set the front edge of the base plate on the workpiece.
3. Use the operating lever to open the pivoting guard.
4. Lower the product until the saw blade is just clear of the workpiece.
5. Release the pivoting guard operating lever.
6. Switch the tool on. → page 20

i Make sure that the saw blade is not in contact with the workpiece.

7. To make the plunge cut, lower the saw, using the front edge of the base plate as the pivot axis.
8. Switch the tool off. → page 22
9. Wait until the saw blade has stopped rotating.
10. Lift the product.

6.4 Switching the tool off

- ▶ Release the on/off switch.

7 Care and maintenance of cordless tools

WARNING

Risk of injury with battery inserted !

- ▶ Always remove the battery before carrying out care and maintenance tasks!
-

Care and maintenance of the tool

- Carefully remove stubborn dirt from the tool.
- Clean the air vents carefully with a dry brush.
- Use only a slightly damp cloth to clean the casing. Do not use cleaning agents containing silicone as these may attack the plastic parts.

Care of the Li-ion batteries

- Keep the battery free from oil and grease.
- Use only a slightly damp cloth to clean the casing. Do not use cleaning agents containing silicone as these may attack the plastic parts.
- Avoid ingress of moisture.

Maintenance

- Check all visible parts and controls for signs of damage at regular intervals and make sure that they all function correctly.
- Do not operate the cordless tool if signs of damage are found or if parts malfunction. Have the tool repaired by **Hilti** Service immediately.
- After cleaning and maintenance, fit all guards or protective devices and check that they function correctly.

7.1 Cleaning the guard

1. Remove the saw blade. → page 16
2. Clean the parts of the guard carefully with a dry brush.
3. Use a suitable tool to remove deposits or cuttings from the inside surfaces of the parts of the guard.
4. Install the saw blade. → page 17

8 Transport and storage of cordless tools

Transport

CAUTION

Accidental starting during transport !

- ▶ Always transport your products with the batteries removed!
-
- ▶ Remove the battery.
 - ▶ Transport the tool and batteries individually packaged.
 - ▶ Never transport batteries in bulk form (loose, unprotected).
 - ▶ Check the tool and batteries for damage before use after long periods of transport.

Storage

CAUTION

Accidental damage caused by defective or leaking batteries !

- ▶ Always store your products with the batteries removed!
-
- ▶ Store the tool and batteries in a place that is as cool and dry as possible.
 - ▶ Never store batteries in direct sunlight, on heating units or behind a window pane.
 - ▶ Store the tool and batteries in a place where they cannot be accessed by children or unauthorized persons.
 - ▶ Check the tool and batteries for damage before use after long periods of storage.

9 Troubleshooting

If the trouble you are experiencing is not listed in this table or you are unable to remedy the problem by yourself, please contact **Hilti Service**.

9.1 The circular saw is in working order.

Trouble or fault	Possible cause	Action to be taken
The power tool vibrates more than usual.	The saw blade is fitted incorrectly.	▶ Remove the saw blade and refit it correctly.
Running speed suddenly drops considerably.	The battery is discharged.	▶ Change the battery and charge the empty battery.
	Saw advance pressure is too high.	▶ Reduce advance pressure and switch the power tool back on.
	Saw blade is too badly worn.	▶ Insert a new saw blade.

9.2 The circular saw is not in working order.

Malfunction	Possible cause	Action to be taken
No response from the LEDs on the battery.	The battery is not correctly inserted.	▶ Push the battery in until it engages with a click.
	The battery is discharged.	▶ Change the battery and charge the empty battery.

Malfunction	Possible cause	Action to be taken
No response from the LEDs on the battery.	The battery is too hot or too cold.	▶ Bring the battery to the recommended working temperature.
1 LED on the battery flashes.	The battery is discharged.	▶ Change the battery and charge the empty battery.
	The battery is too hot or too cold.	▶ Bring the battery to the recommended working temperature.
4 LEDs flash.	The circular saw was overloaded briefly.	▶ Release the control switch and then press it again.
	The overheating prevention cut-out has been activated.	▶ Allow the circular saw to cool down and clean the air vents.

10 Disposal

Most of the materials from which **Hilti** tools and appliances are manufactured can be recycled. The materials must be correctly separated before they can be recycled. In many countries, your old tools, machines or appliances can be returned to **Hilti** for recycling. Ask **Hilti** Service or your Hilti representative for further information.

Battery disposal

Improper disposal of batteries can result in health hazards from leaking gases or fluids.

- ▶ DO NOT send batteries through the mail!
- ▶ Cover the terminals with a non-conductive material (such as electrical tape) to prevent short circuiting.
- ▶ Dispose of your battery out of the reach of children.
- ▶ Dispose of the battery at your **Hilti Store**, or consult your local governmental garbage disposal or public health and safety resources for disposal instructions.



- ▶ Do not dispose of power tools, electronic equipment or batteries as household waste!

11 Manufacturer's warranty

- ▶ Please contact your local **Hilti** representative if you have questions about the warranty conditions.

This Product is Certified
Ce produit est homologué
Producto homologado por
Este producto está registrado





Hilti Corporation
LI-9494 Schaan
Tel.: +423 234 21 11
Fax: +423 234 29 65
www.hilti.com



2164701



Hilti Connect