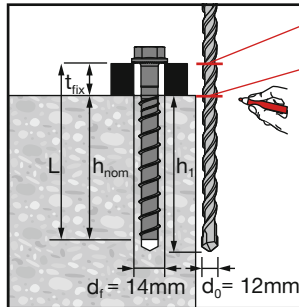
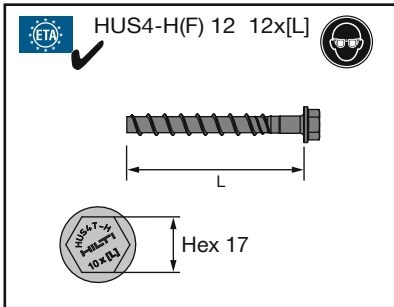




2310562-03.2025

| | | |
|---|--|--|
| <p>① CE</p> <p>25 Hilti AG LI-9494 Schaan Hilti Werke 2873-CPR-201-72 ETA-20/0867 Notified body 2873 EAD 330232-01-0601 Product for fixing to- or connecting/supporting of building structures www.hilti.group</p> | <p>② CE</p> <p>25 Hilti AG, LI-9494 Schaan Hilti Werke 2873-CPR-201-73 ETA-18/1160 Notified body 2873 EAD 332795-01-0601 Product for fixing to- or connecting/supporting of building structures www.hilti.group</p> | <p>③ CE</p> <p>22 Hilti AG, LI-9494 Schaan Hilti Werke 2873-CPR-201-78 ETA-21/0969 Notified body 2873 EAD 332347-00-0601 Product for fixing to- or connecting/supporting of building structures www.hilti.group</p> |
|---|--|--|

| | ① | ② | ③ | | ① | ② | ③ |
|---------------|---|---|---|----------------|---|---|---|
| HUS4-H 12×70 | ✓ | ✓ | | HUS4-HF 12×70 | ✓ | | |
| HUS4-H 12×90 | ✓ | ✓ | | HUS4-HF 12×90 | ✓ | | |
| HUS4-H 12×100 | ✓ | ✓ | | HUS4-HF 12×100 | ✓ | | |
| HUS4-H 12×110 | ✓ | ✓ | | HUS4-HF 12×110 | ✓ | | |
| HUS4-H 12×130 | ✓ | ✓ | | HUS4-HF 12×130 | ✓ | | |
| HUS4-H 12×150 | ✓ | ✓ | | HUS4-HF 12×150 | ✓ | | |



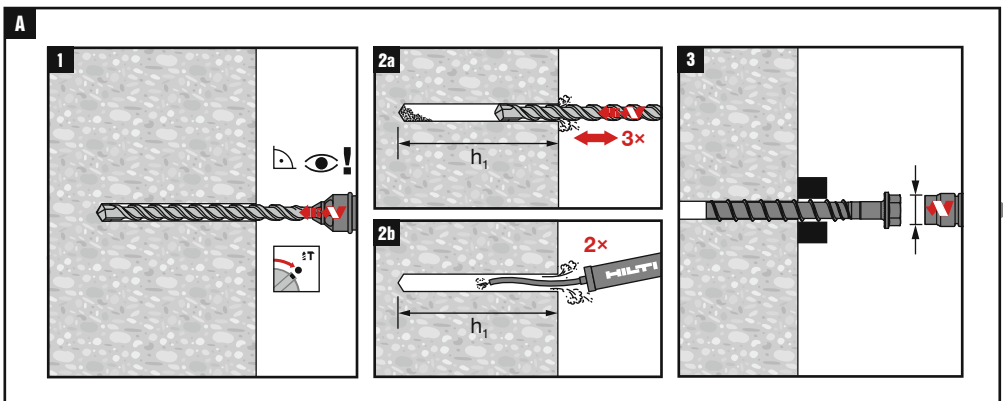
! $\geq h_1 + t_{fix}$

! $\geq h_1$

| | h_{nom} [mm] |
|--|----------------|
| | ≥ 60 |

| | | |
|--|--------------------------------|-----------|
| | $h_1 = h_{nom} + 30\text{ mm}$ | 2a |
| | $h_1 = h_{nom} + 10\text{ mm}$ | 2b |

| | |
|-----------------------------------|---|
| SIW 6AT-A22 1/2", SIW 4AT-22 1/2" | |
| SIW 6-22 1/2" | ✓ |
| SIW 22T-A 1/2", SIW 22T-A 3/4" | ✓ |
| SIW 9-A22 3/4" | ✓ |
| SIW 8-22 1/2" | ✓ |
| SIW 10-22 3/4" | ✓ |



4 optional

4a

max. 10 mm
max. 2x

4b

h_{nom}
max. 10 mm

| | h_{nom} [mm] | |
|--|-------------------|--|
| | < 60 | |
| | ≥ 60 | |

5

B

1

DIBt - aBG
ETA

3a

2

NURON

3b

4a

4b

HUS4-H(F) 12