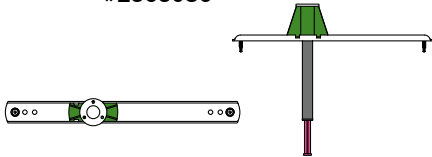




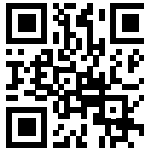
KCCM-MD L $\frac{1}{4}$ " + $\frac{3}{8}$ "

2372952-06.2024

25 KWIK CAST CONNECT
KCCM-MD L $\frac{1}{4}$ " + $\frac{3}{8}$ "
GRN-PNK
#2363086



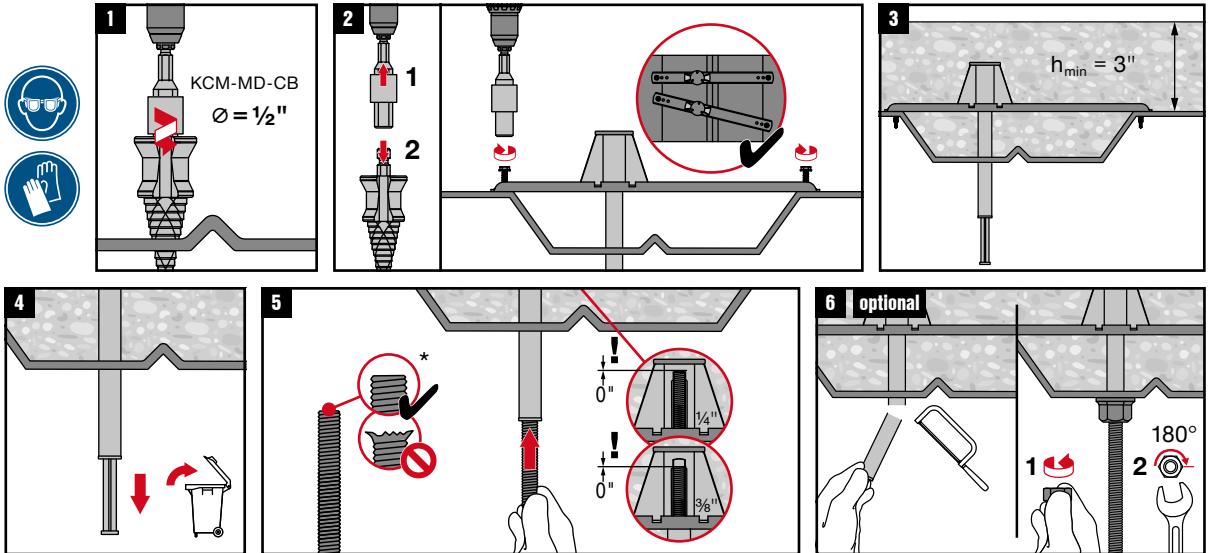
Info | Shop



qr.hilti.com/2363086

Batch Tracking
Information

Made in Taiwan
Hilti = trademark of Hilti Corp., Schaun, LI



UL Listing does not cover the 1/4-inch rod size. For seismic bracing applications cut tube flush to bottom of metal deck. *End of rod must be free of burrs. When using a high-strength rod (>55 ksi) end must be chamfered.